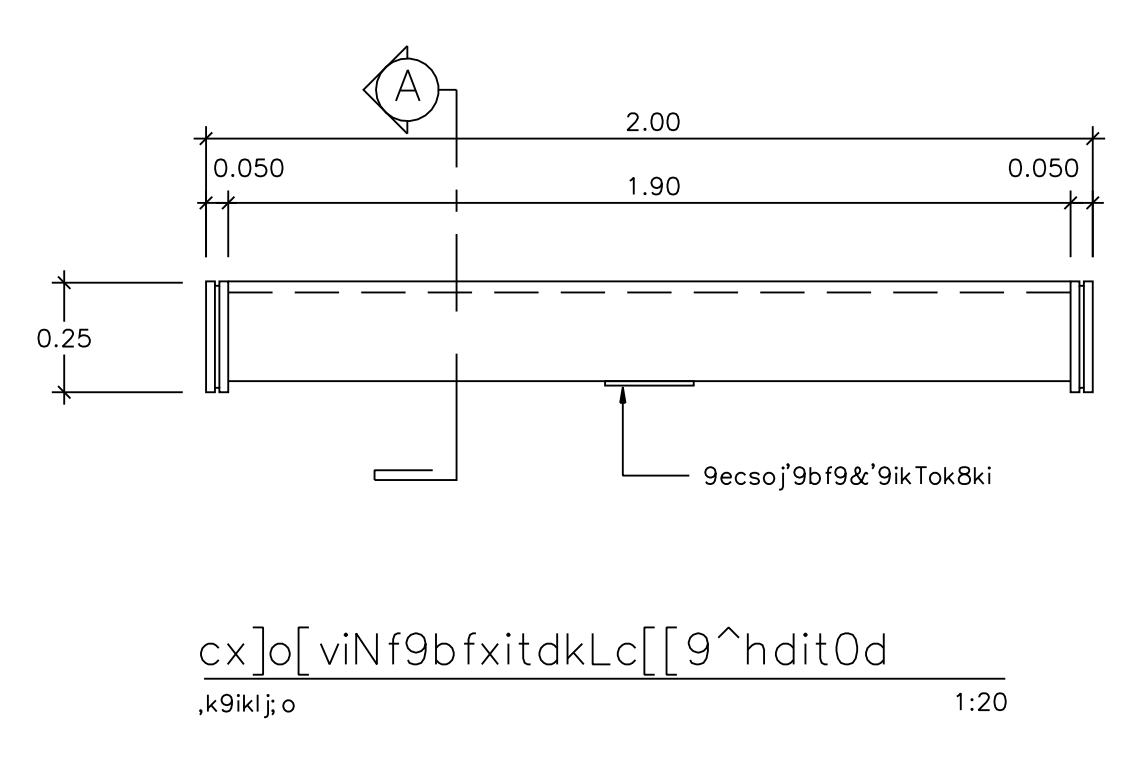
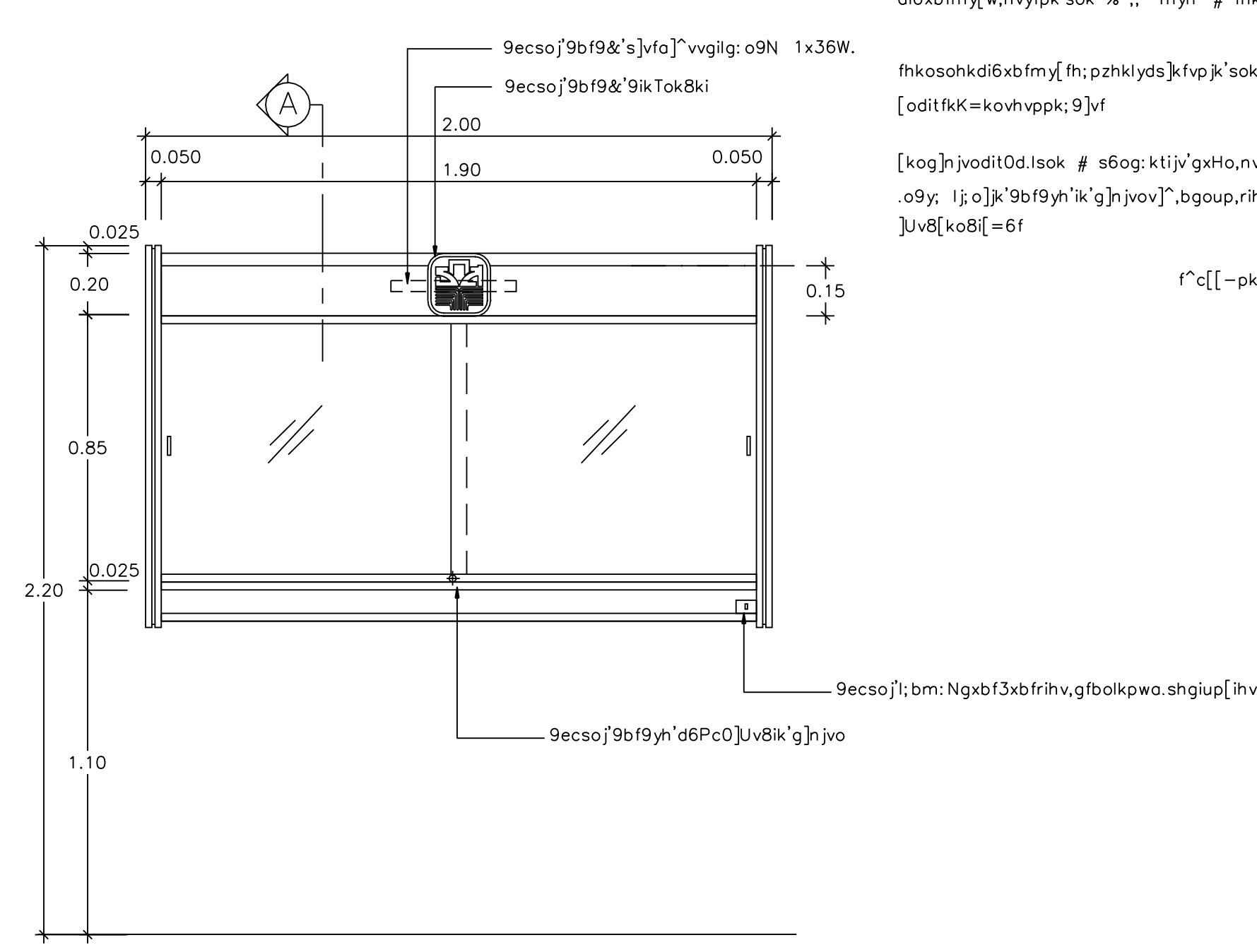


c[[ -pkp9ikTok8ki  
 ,k9ikj;o 1:12.5



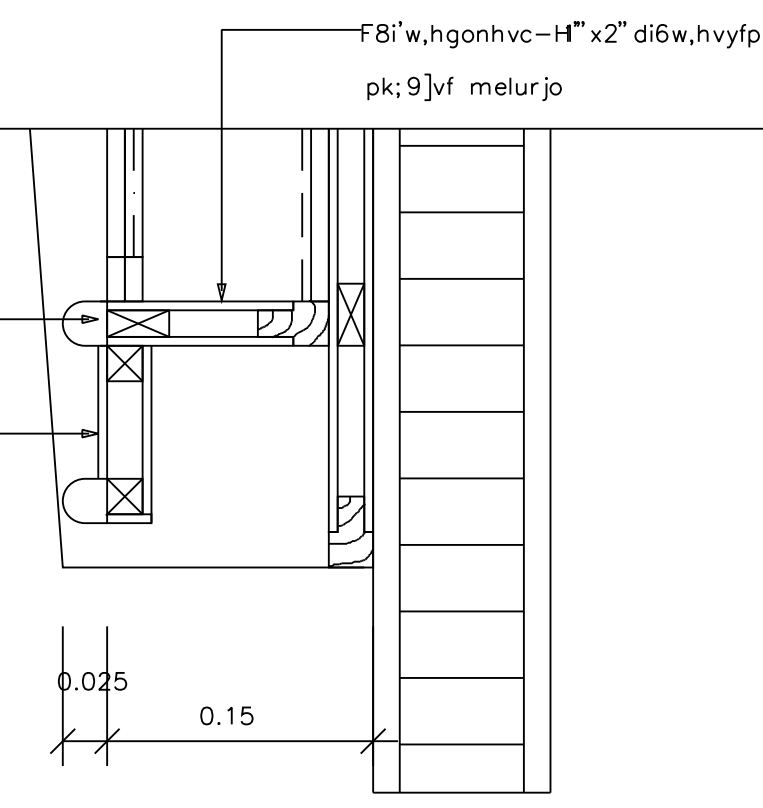
cx]o[vinf9bfxitdkLc[[9^hdit0d  
 ,k9ikj;o 1:20



i^xfkosohk  
 ,k9ikj;o 1:20

8bh:w,hlyd -ok" x1"  
 i^xi]k'9k,c[[ melurjo  
 FBi'w,hgonhvc-H"x2" di6w,hvyf'pk' % .."  
 xbfmy[ fh;pczjor]kl9bd]k,bgom

c[[ -pkp  
 ,k9ikj;o 1:2



i^x9y  
 ,k9ikj;o 1:10

zoy'fhko-hk' -v[fhkosohk,hlyd"x1" g:ktijv'  
 9k,c[[ FBi'w,hgonhvc-H' 1"x2" di6xbfmy[ fh;pw,h  
 vyf'pk' % .."myh' # fhkoz; -yfgiup[rjolu9]vf  
 di6w,hvyf'pk'sok @\* .." 9bf-v[w,hlyd  
 -okf 0.015x0.015," di6czjor]kl9bd  
 ],bgom 9'iq]k'9bf9'9ikTok8ki  
 f^c[-pkp  
 9ecsoj'9bf9&'s]vfa]vvgilg:o9N-okf 36;y99N  
 rihv,v6xdilN8[=6f c]];bm:Nqxbf3xbf  
 dit0d]kphksok # s6oesiy[[y's]vfa rihv,  
 Bbh;iviy]dit0d  
 zoy'fhkos]y' FBi'w,hgonhvc-H"x2"  
 di6xbfmy[w,hvyf'pk'sok % .." myh' # fhko  
 fhkosohkdi6xbfmy[ fh;pzhkiyds]k'v'pk'sok  
 [aditfkK=kovhvpkk;9]vf  
 [kog]jvodit0d.Isok # s6og:ktijv'gxHo,nv0y[  
 .o9y; i;o]k'9bf9'9ikTok8ki]jvov].bgoup,rihv,d6Pc0  
 ]Jv8[ko8[=6f  
 f^c[-pkp @

REVISIONS	DATE
NOTE • ALL DIMENSIONS ARE IN METER UNLESS OTHERWISE INDICATED • NO DIMENSION SHALL BE SCALED • ALL DRAWINGS ARE THE PROPERTY OF THE AREA CO.,LTD. AND CAN NOT BE USED REPRODUCED OR DUPLICATED WITHOUT PERMISSION OWNER Tok8kigrn jvdkgidk9i c]tsdidkigqk9i DESIGNER <b>AREA</b> AREA CO.,LTD. 111/1 Lodpraod23 Lodao Chaluchak Bangkok 10900 Tel. (662) 5139533-5 Fax. (662) 5139536 I5kxobd v]din 9ik=^ 15°00'01" ;yo=yp [6P;ib=pN 15°0°'4" okp:b["]bn g0Bp;k;6cb 15°00'01" okpLiu;ycN ris;6;iii 15°5°'33°4" ;bl; diF8'i'lihk' okpLy;yoTN -6mikoomN lp'(##)0 okpobookm m'v,k lp'%+\$\$ ;bl; dil6-k4b[k] okp]pk, 06jorb0kin 4d')_20 okp]vj;FioN v699,ixid,il okp=b]p=yp =y=k]pnxiu=k ;bl; diwaahk okp=yp;ycN :nj9'i' 4od"*%0% okp;boyp m'v'ory9N 4od'0)##* ;bl; dig8in'jv'd okp]pk, 06jorb0kin 4d')_20 ;yRokdi okp]bmTb=yp v6optryoTN 15°[24p,ok ok'wku;ypN d6ptTir9 LK[" okp]d]l =":KN LK[" DRAWN DATE CHECKED APPROVED FBi'dki xi]y'xi6'vk8kileoyd'kolk-k Zleoyd'ko # =yhoX muj9&' c[[ctf' c[[ -pkp]vinf9bfxitdkL F-3 FILE NO 0203 DRAWING NO A - 44 DATE 10 / 02 / 2003 SUB TOTAL 46 GRAND TOTAL 46	

