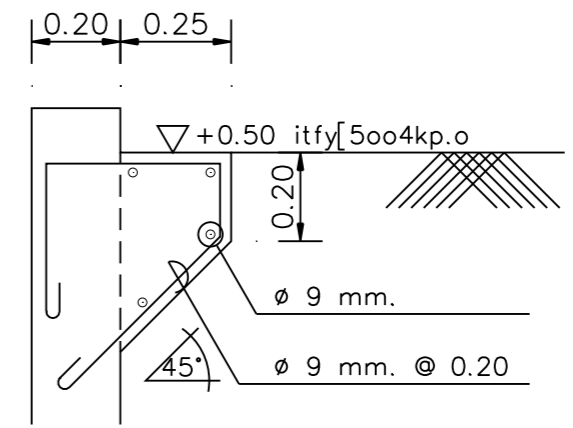
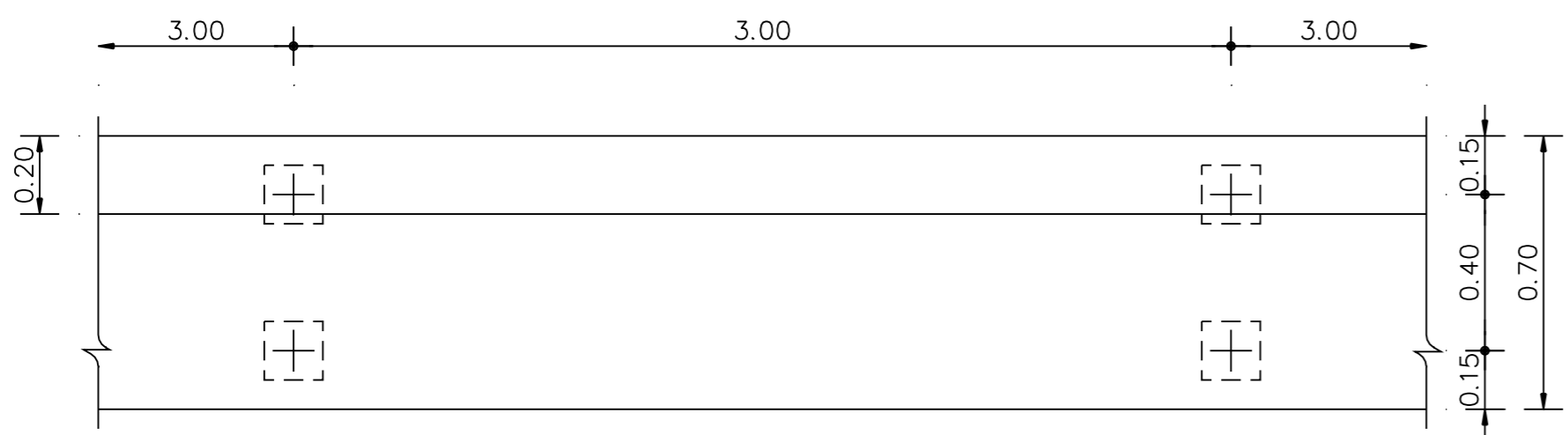


cx]o}koikdi&;
 .k9iki]o 1 : 200

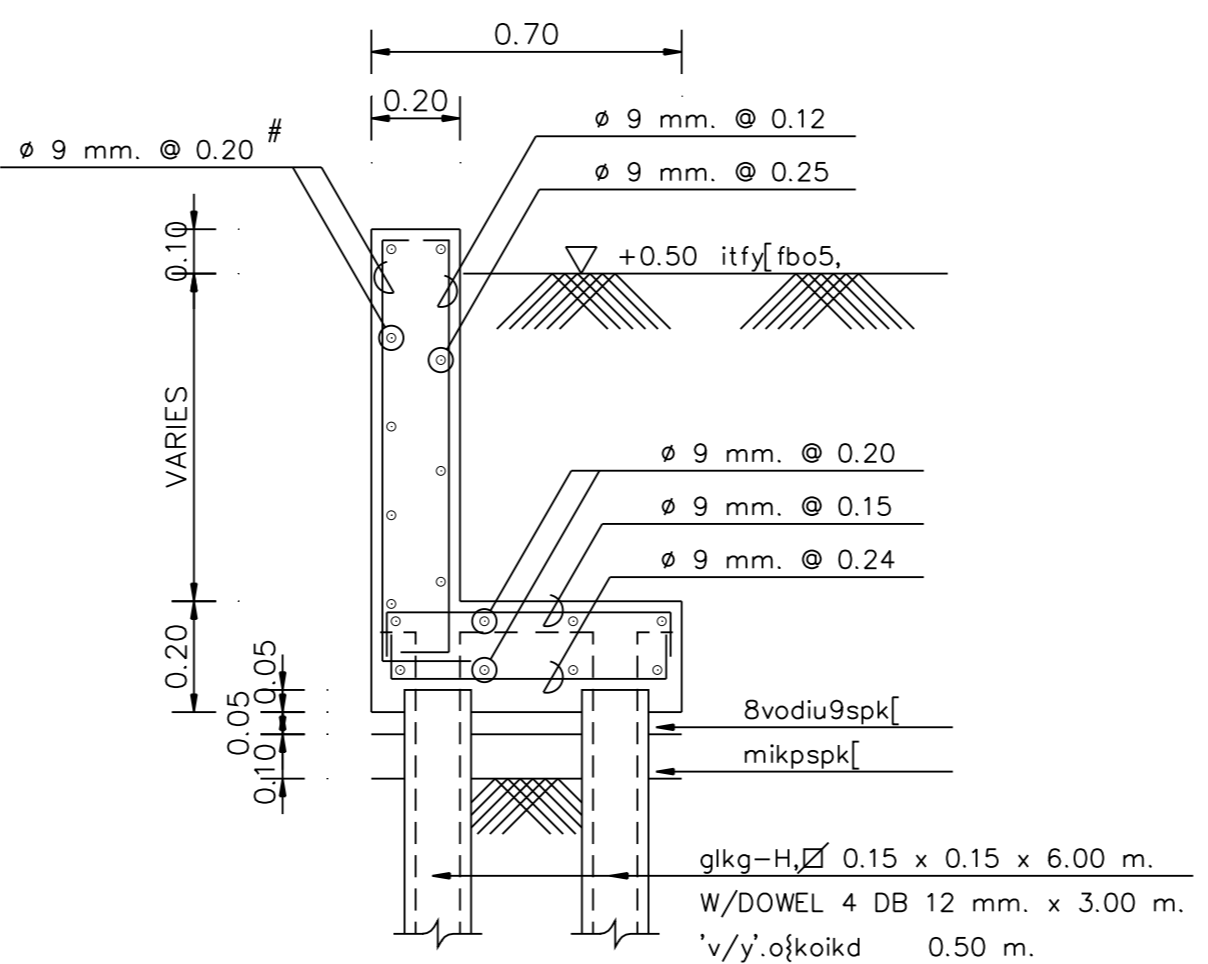
s.kpgs96 : 9y.g]-itfy[.o:'g]H[s.kp57'itfy]fbogfb.



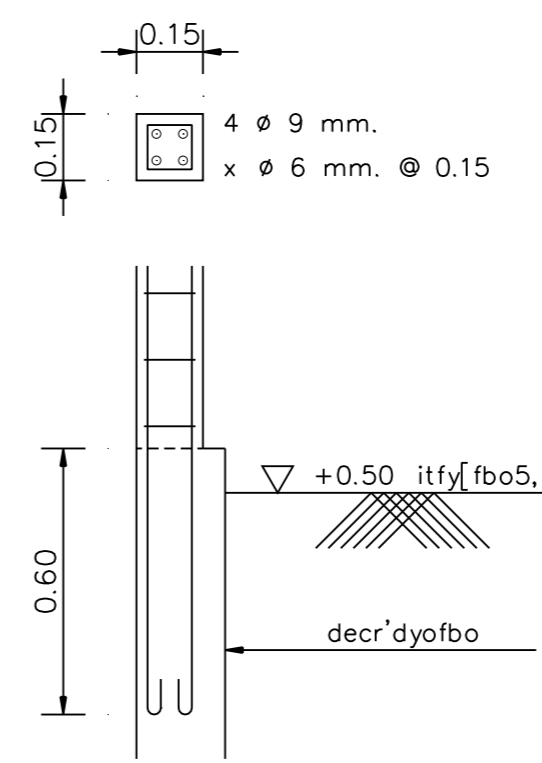
8koiy[xit9^[kog]njvo
 .k9iki]o 1 : 20



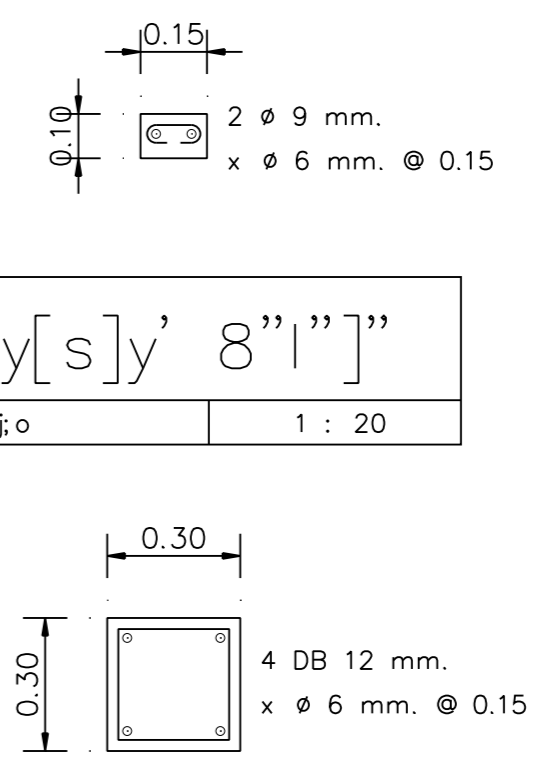
cx]o-pkp}koikddecr'dyofbo
 .k9iki]o 1 : 20



c[-pkp}koikddecr'dyofbo
 .k9iki]o 1 : 20



gkii&; 8''''''
 .k9iki]o 1 : 20



gkxit9^[kog]njvo
 .k9iki]o 1 : 20

REVISIONS	DATE
A c[[d]vnhk'	15/2/2000
NOTE	
• ALL DIMENSIONS ARE IN METER UNLESS OTHERWISE INDICATED	
• NO DIMENSION SHALL BE SCALED	
• ALL DRAWINGS ARE THE PROPERTY OF THE AREA CO.,LTD. AND CAN NOT BE USED REPRODUCED OR DUPLICATED WITHOUT PERMISSION	
OWNER	
Tok8kigrnjvdkigdK9i	
c]t]sldidkigqk9i	
DESIGNER	
AREA CO.,LTD.	
111/1 Lodproo23 Ladyao Chatuchok Bangkok 10900	
Tel. (662) 5139533-5 Fax. (662) 5139536	
15kxobd	
v]d]n 9ik=^	15°00'00"
yo=yp [6P;ib=pN	15°0°'04"
ri=yp db9;ixiliki	15°7°'04"
bl]n g]bP;ik;6cb	15°00'00"
ASSISTANT ARCHITECT	
gdup'w]di clat6;LN	
;bl; dif8'i'lih'	
kat 0i^Pr^XNlydbN	ip^02'08"
v]d]n 9ik=^	ip^03'08"
foyp i; k'FC,	ip^03'08"
;bl; dil6-k4b[k]	
l64ymi ;ktb=pNd6]	lad^09'00"
Lbib=yp Oy9iud6]	x;1"
;bl; diwaahk	
[iio' g]bPab0r^]z]	:ad^08'00"
=yp; ycoN :nj9i'	4od^08'00"
;bl; dig8'inv'd]	
ly] ob9bro	l0^08'00"
;y]Rokdi	
ruil69 i6;idp;tdpN	15°0°'04"
lbnTb=yp v6joptryd9]Z4kp.oX	
DRAWN	
[t]ryy] s.y]ug]bl	DATE
CHECKED	
APPROVED	
F8'i'dki	
vk8kileoyd'kolk-k	
mu]9&'	
v^-]j6' 0" Oyom[6iu	
c[[clf'	
cx]o}koikdi&;	
FILE NO	DRAWING NO
9911	S - 18
DATE	15 / 2 / 2000
SUB TOTAL	GRAND TOTAL

