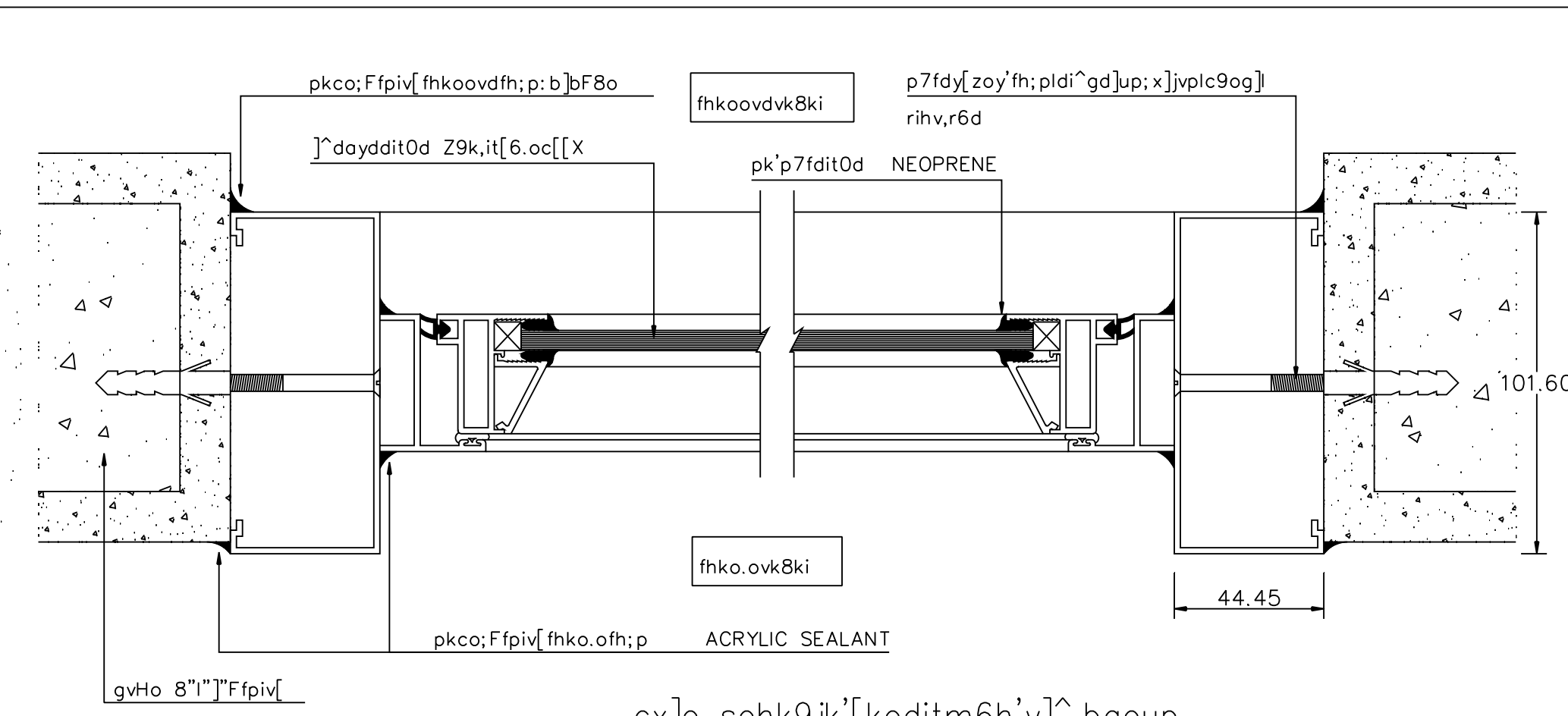
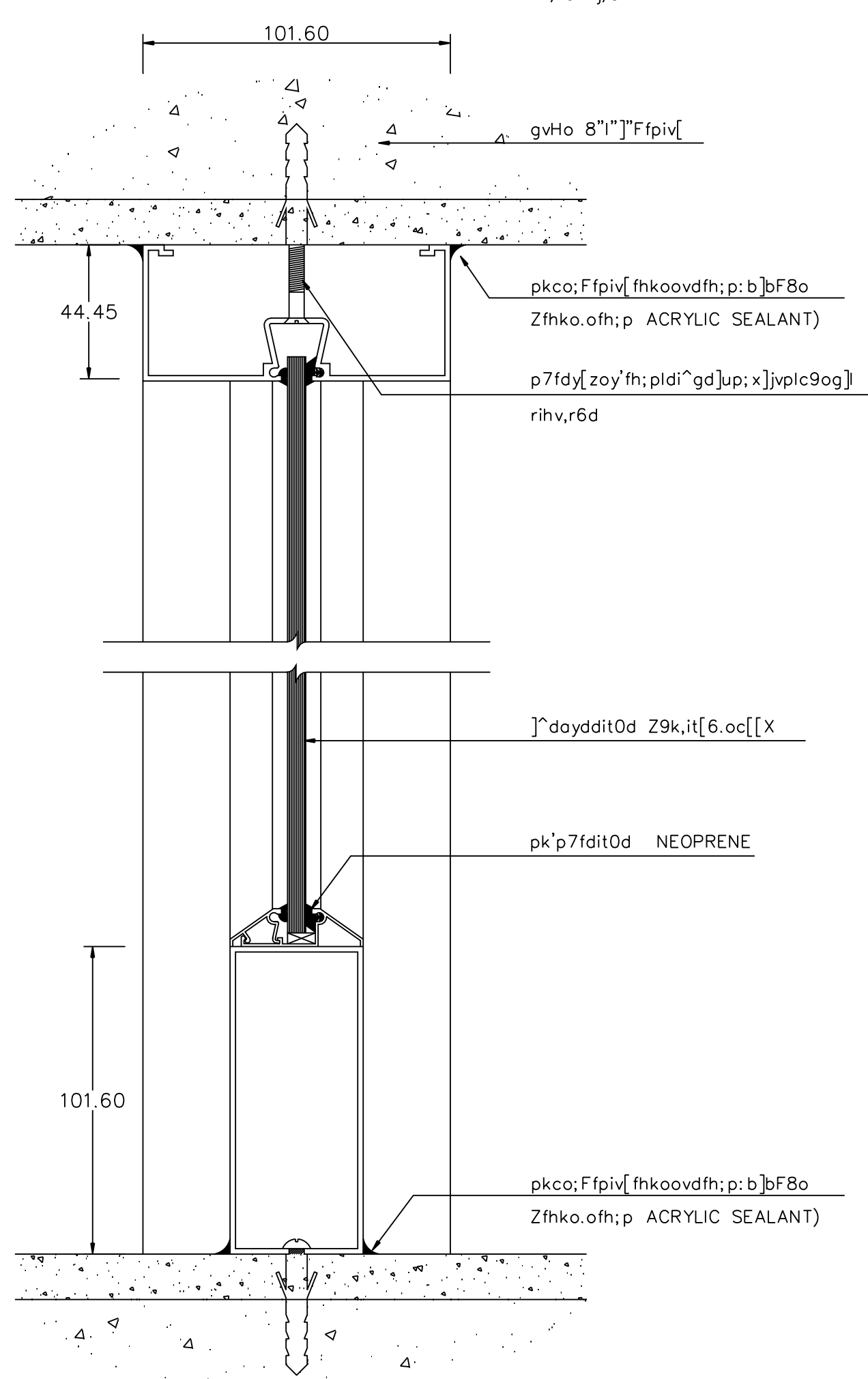


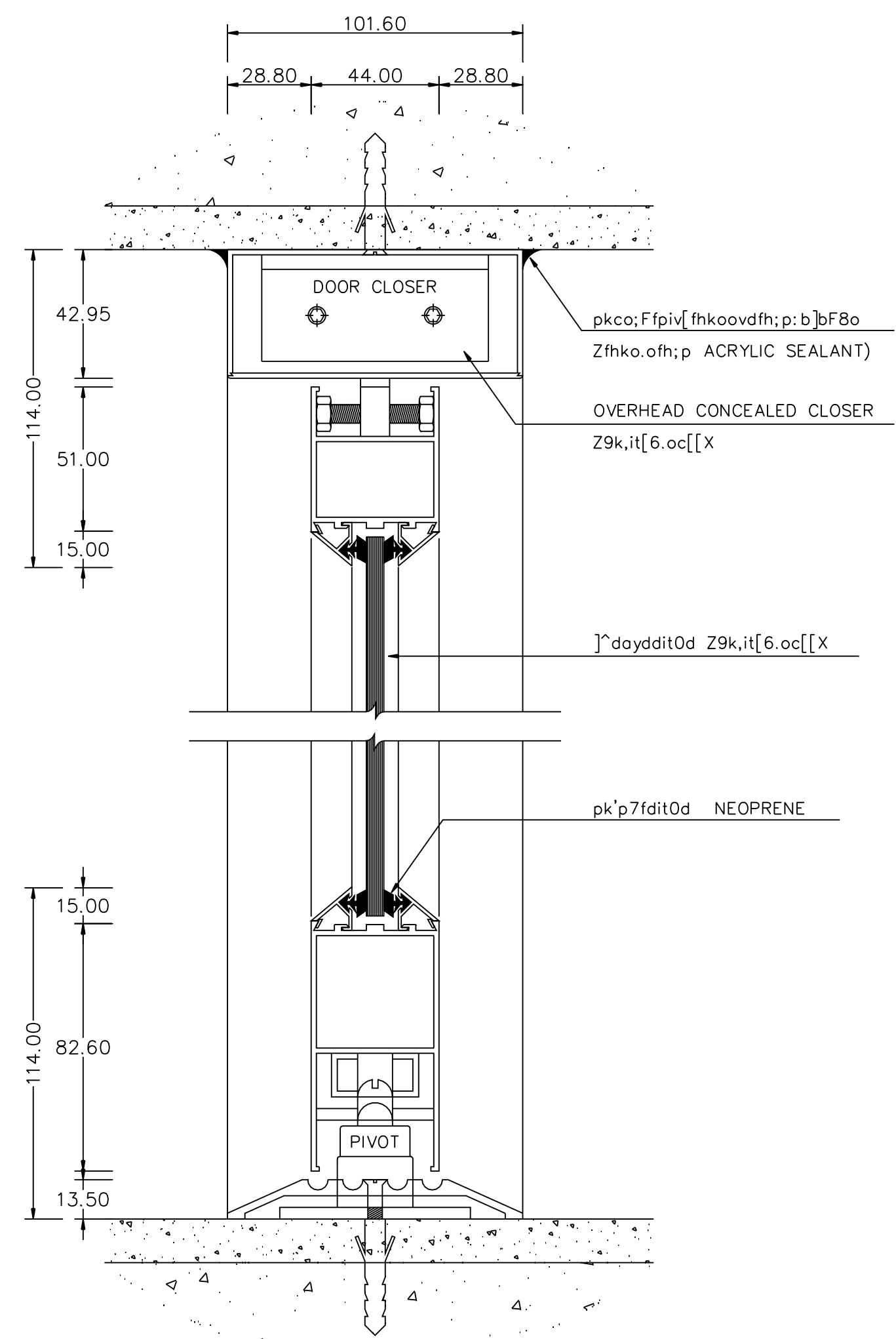
cx]o[koxit9^v]^,bgoup,
.k9ikl]o 1 : 2



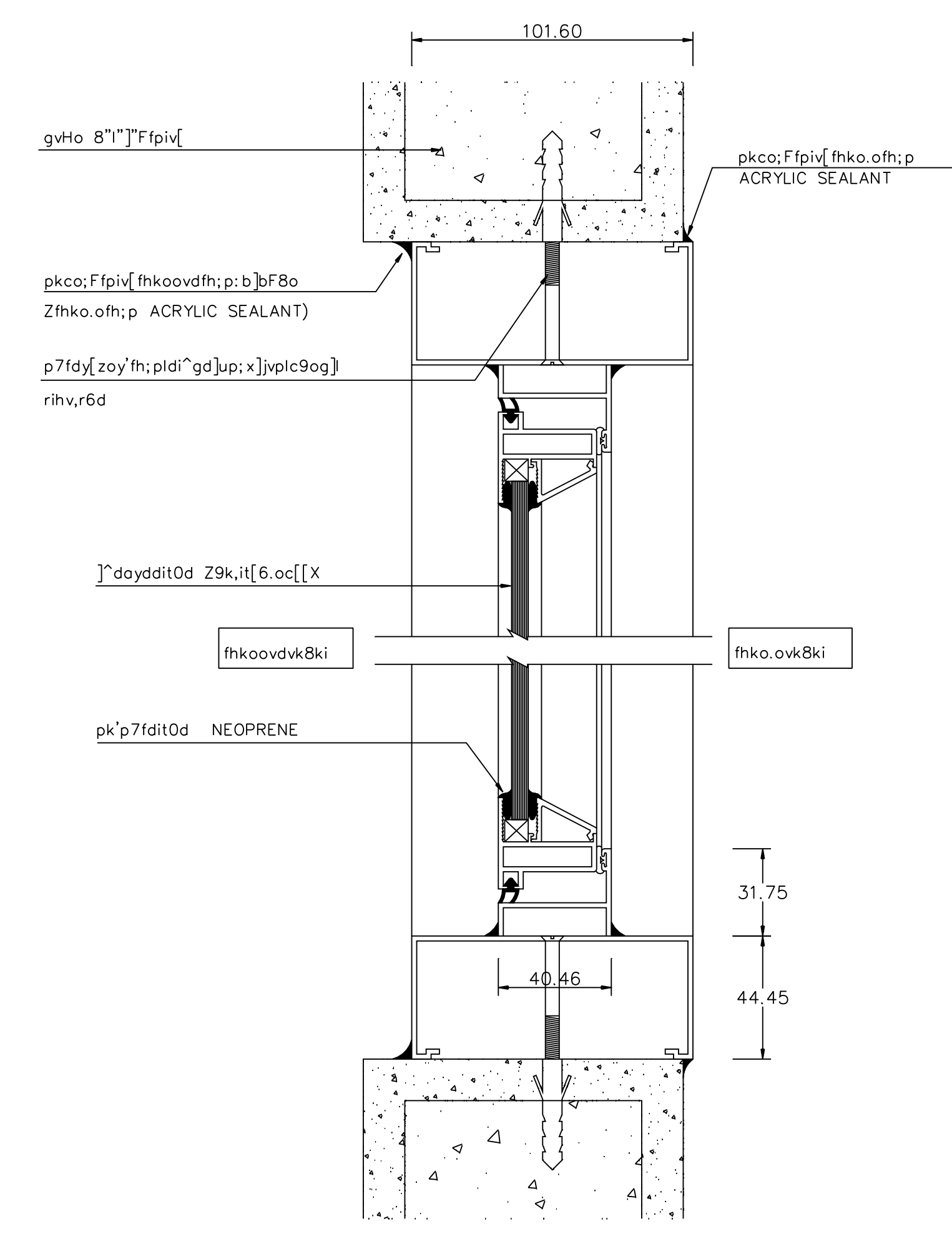
cx]o sohk9jk'[koditm6h'v]^,bgoup,
.k9ikl]o 1 : 2



i^x9yf[koxit9^v]^,bgoup,Zfhko9b9kpX
.k9ikl]o 1 : 2



i^x9yf[koxit9^v]^,bgoup,Zfhkoxit9^X
.k9ikl]o 1 : 2



i^x9yfsokh9jk'[koditm6h'v]^,bgoup,
.k9ikl]o 1 : 2

REVISIONS		DATE
A	c[[djvirk'	15/02/2000

NOTE
 • ALL DIMENSIONS ARE IN METER UNLESS OTHERWISE INDICATED
 • NO DIMENSION SHALL BE SCALED
 • ALL DRAWINGS ARE THE PROPERTY OF THE AREA CO.,LTD. AND CAN NOT BE USED REPRODUCED OR DUPLICATED WITHOUT PERMISSION

OWNER
 Tok8kigrjvdkigdK9i
 c]tsdildkigqk9i

DESIGNER
AREA
 AREA CO.,LTD.
 111/1 Lodproo23 Lodayo Chutachok Bangkok 10900
 Tel. (662) 5139533-5 Fax. (662) 5139536

15kxobd
 v]din 9k=^ 15°00'04"
 :yo=yp [6P;ib=pN 15°0°#4
 ri=yp d9b;ixlilki 15°7°#4
 :b[]m g0bP;k;6cb 15°00'0#

ASSISTANT ARCHITECT
 gdup'wdi clo6;LN
 ;bl; dif8i'lihk'
 .kot 0°P'KXNlydBN 1p°20'0#
 v]din 9k=^ 1p°33'0#
 foyp i; k'FC. 1p°33'0#
 ;bl; dil6-k4b[k]
 i64ymi ;ktb=pNd6] lod'0#%
 Lbib=yp 0yo9iud6] x;]"
 ;bl; diwaahk
 [iio' g0bPab0r'z] :od'0#
 =yp; ycoN :nj9i' 4od'°%0#
 ;bl; dig8in jv'd
 lyj ob9bro 1o'0#%\$
 ;yRokdi
 ruil69 i6;idpt;bdpN 15°7°#04
 lbtb=yp v6joptryd9i' 24kp.ox
 DRAWN [tbyy9i s.y]lug]bl DATE
 CHECKED
 APPROVED
 F8i'dki
 vk8kileoyd'kolk-k
 muj9&'
 v' liirpk 0" =ypokm
 c[[clf'
 c[[-pkp.k9i]ko
 xit9^ 3 sohk9jk'

FILE NO	DRAWING NO
9910	A - 14
DATE 15 / 02 / 2000	
SUB TOTAL	GRAND TOTAL

Area-A2(roll) 390x600mm.

