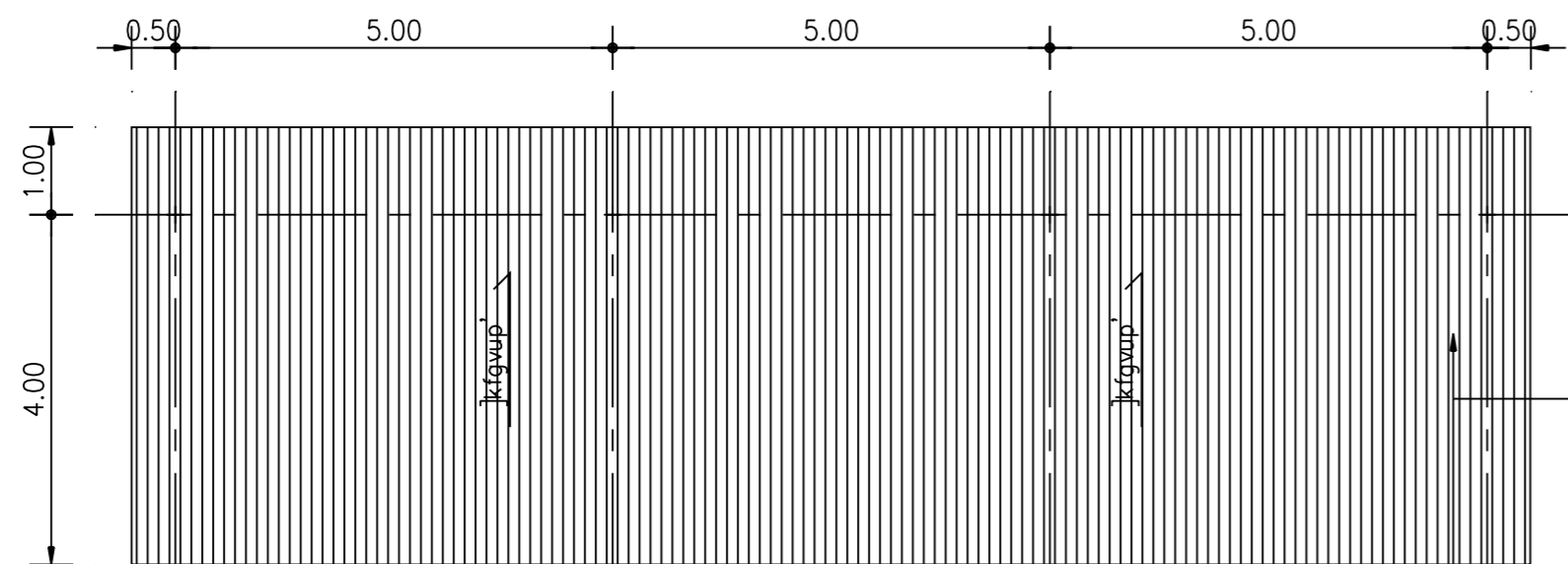
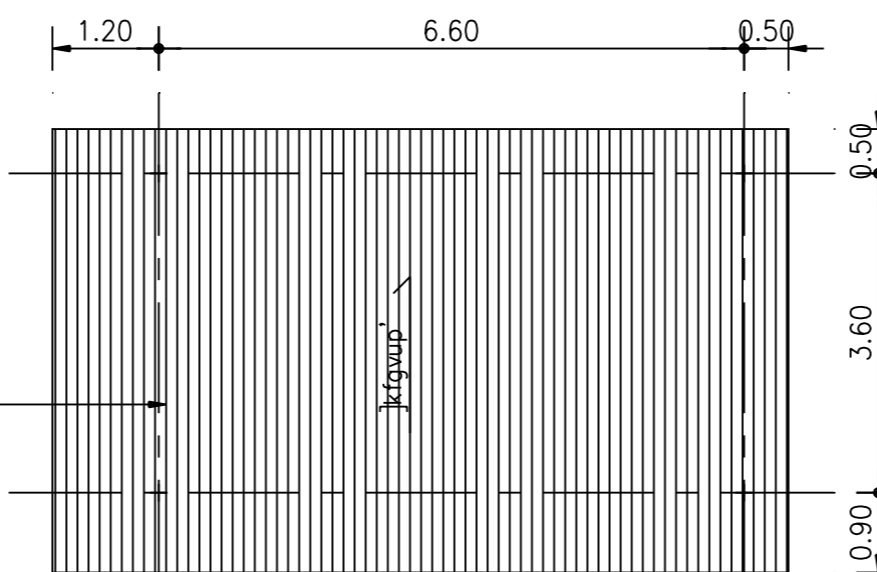


cx]omu j0vfi5Tok8ki  
k9ikij;o 1 : 100

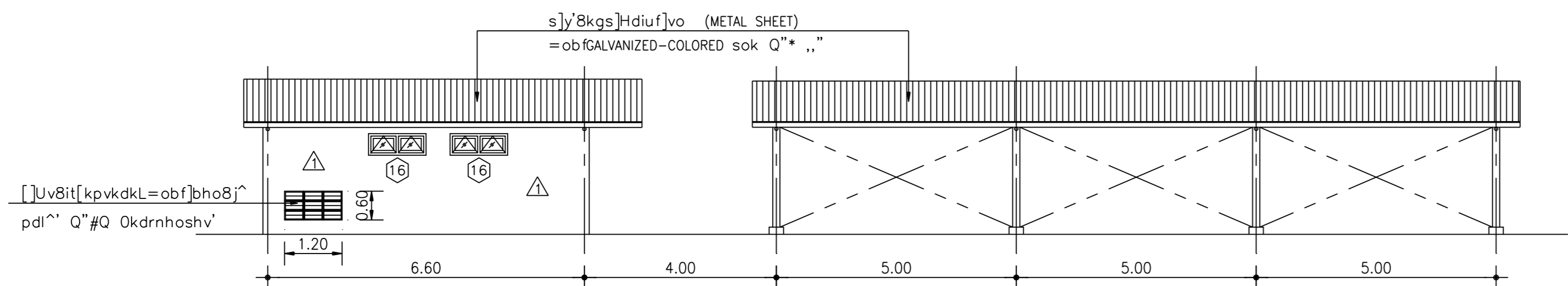
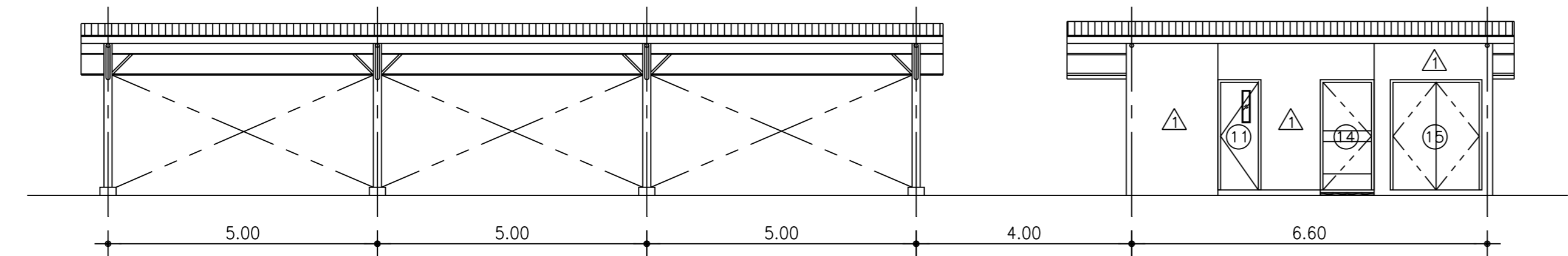
cx]oshv'oeh]^d8hk  
k9ikij;o 1 : 100



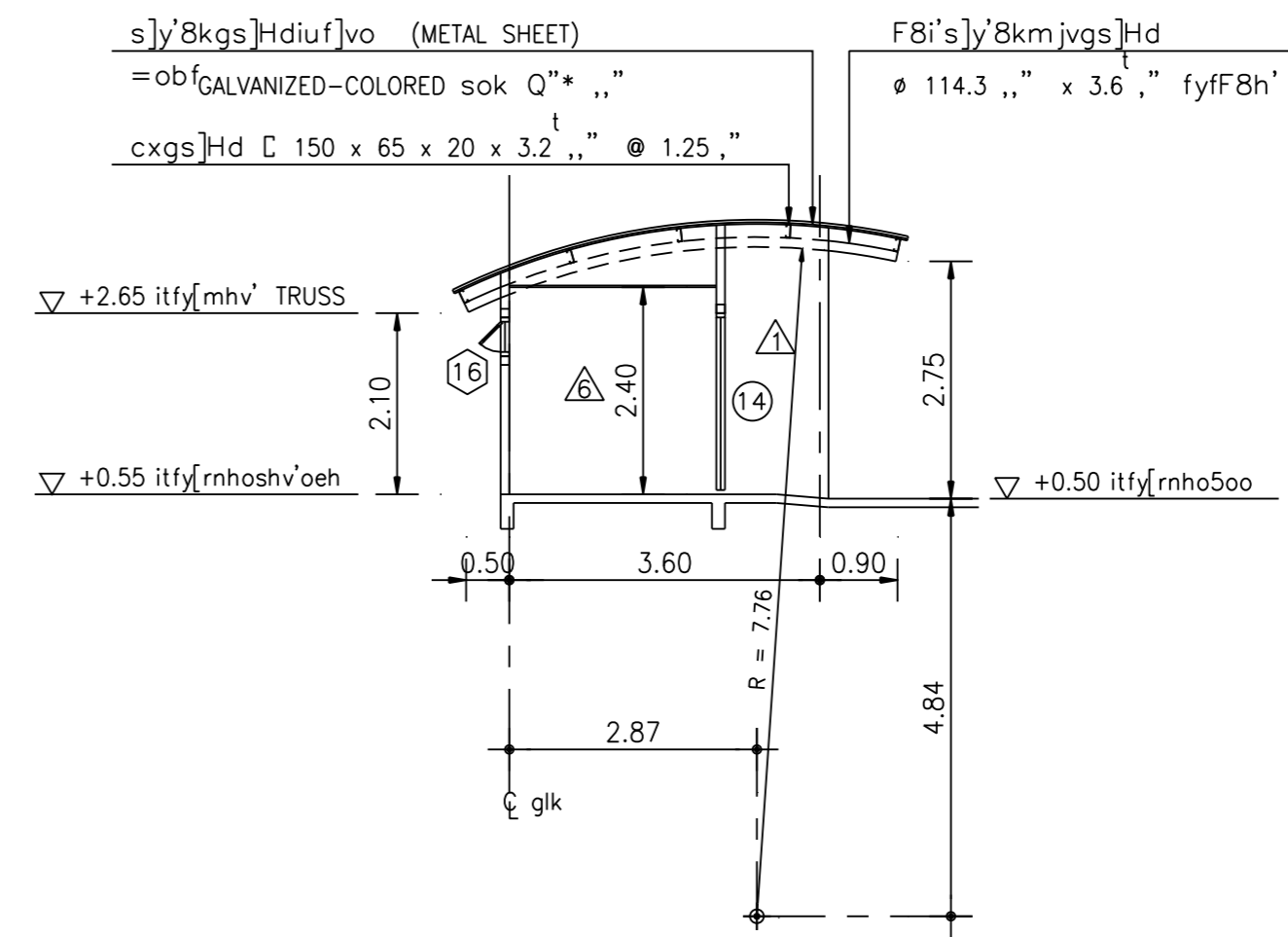
cx]os]y'8k  
k9ikij;o 1 : 100



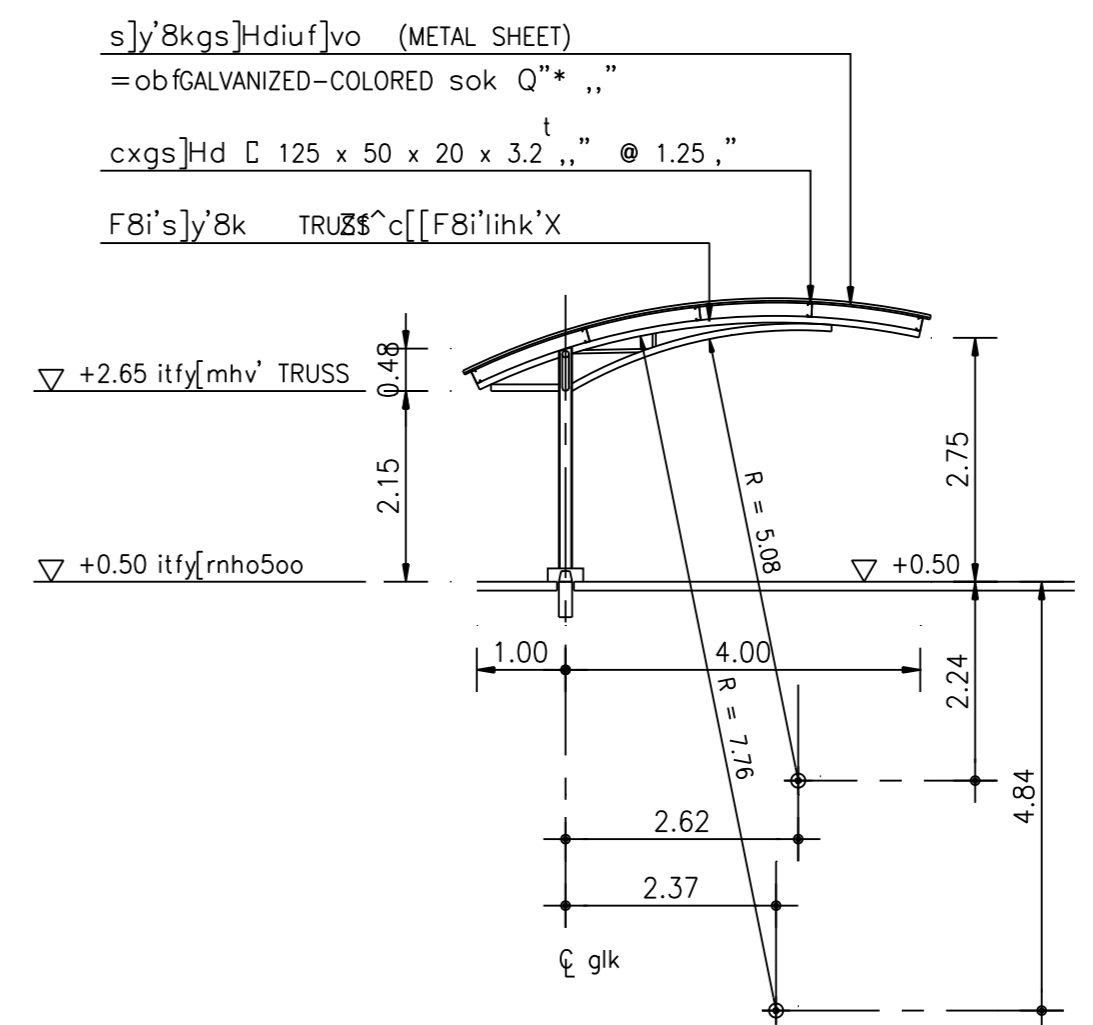
cx]os]y'8k  
k9ikij;o 1 : 100



i^xfhko 3  
k9ikij;o 1 : 100

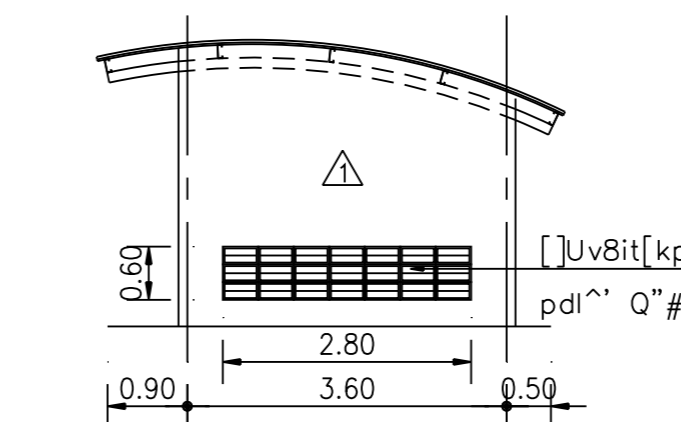


i^x9yf A - A  
k9ikij;o 1 : 100

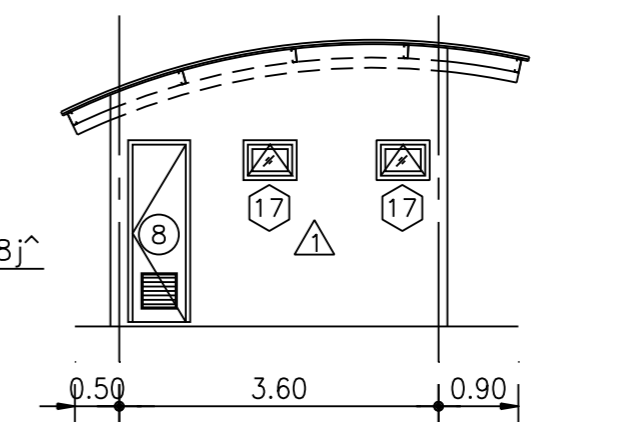


i^x9yf B - B  
k9ikij;o 1 : 100

i^xfhko 1  
k9ikij;o 1 : 100



i^xfhko 2  
k9ikij;o 1 : 100



i^xfhko 4  
k9ikij;o 1 : 100

REVISIONS	DATE
A c[ [djvnhk'	15/02/2000

NOTE  
 • ALL DIMENSIONS ARE IN METER UNLESS OTHERWISE INDICATED  
 • NO DIMENSION SHALL BE SCALED  
 • ALL DRAWINGS ARE THE PROPERTY OF THE AREA CO.,LTD. AND CAN NOT BE USED REPRODUCED OR DUPLICATED WITHOUT PERMISSION

OWNER  
 Tok8kigrn jvdkigdK9i  
 c]tsdidkigqK9i

DESIGNER  
**AREA**  
 AREA CO.,LTD.  
 111/1 Lodprao23 Lodvoo Chaluchok Bangkok 10900  
 Tel. (662) 5139533-5 Fax. (662) 5139536

15kxobd  
 v]dlin 9ik=^ 15°000#  
 :yo=yp [6P;ib=pN 15°00#4  
 rie=yp ob9b;ikilki 15°#8#4  
 :b[ ]m g0bP;ik;6cb 15°000#

ASSISTANT ARCHITECT  
 gduap'edi clo6;LN  
 ;bl; dif8i'lihk'  
 .kot 0i^P^XNlydbN ip^#0#8  
 v]dlin 9ik=^ ip^#808  
 foyp i; k'FC, ip^#8#-  
 ;bl; dil6-k4b[k]  
 i64ymi ;ktb=pNd6] lod^#0#%  
 Lbib=yp 0yo9iud6] x; i'  
 ;bl; diwaahk  
 [iio' g0bP;ad0r^]z] :od^#0#  
 =yp; ycoN :njy9i' 4od^#0#0#  
 ;bl; dig8in jv'd  
 lyf ob9bro 10^0#% \$  
 ;yRokdi  
 ruil69 i6; i6dpt; bdpN 15°#0#04  
 lbtmT=yp v6joptryd9N^ 24kp.oX  
 DRAWN [tby9i' s;yl;lug]bl DATE  
 CHECKED  
 APPROVED  
 F8i'dki  
 vk8kileoyd'kolk-k  
 muj9&'  
 v' sov'sko 0' v6fitkou  
 c[ [clf'  
 vk8ki0vfi5 c]t shv'oe  
 lkTkilit

FILE NO 9909	DRAWING NO A - 10
DATE 15 / 02 / 2000	
SUB TOTAL	GRAND TOTAL

