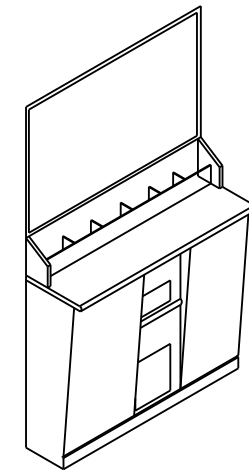


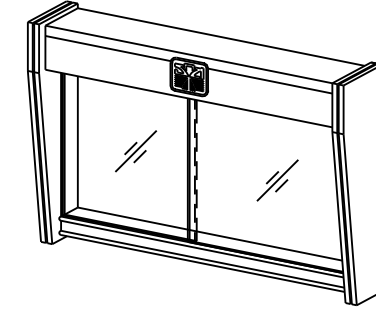
F-1/1 , F-1/2

gdhkvuhryd8vp
F1/1 mjuoyj3roydrb'wog[vin
F1/2 mjuoyj3roydrb[6soy'gmup.]{6zhk Zg]hvdu4kps}x



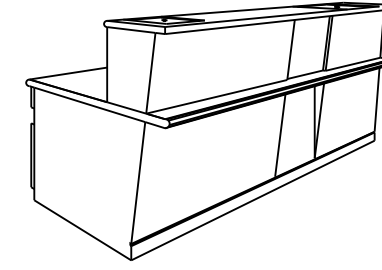
F-2

g8koNg9viNg-upo.]/kd35vo
f'c[[-pkp



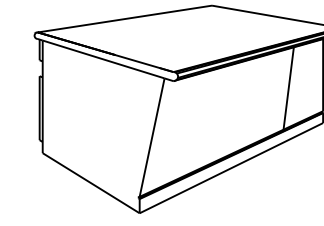
F-3

[vinf9bfxitdKl Zc[[9h^dit0dX
-okf 0.25x2.00x2.20,"
f'c[[-pkp



F-4

g8koNg9viNI"
-okf 0.80x2.40x1.10,"
f'c[[-pkp



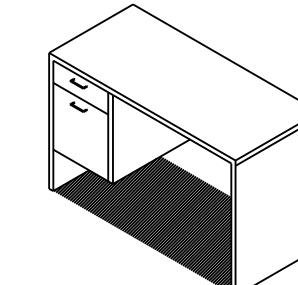
F-5

g8koNg9viNg9uhp
-okf 0.80x1.80x0.75,"
f'c[[-pkp



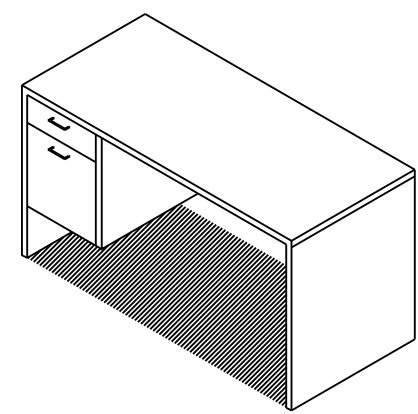
F-6

gdhkvuh ZlegiH0i^xX



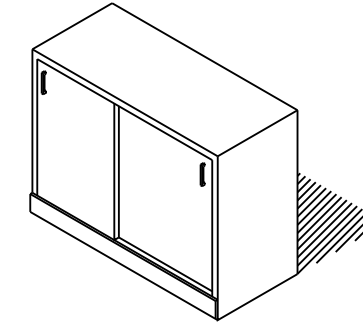
F-7

F9Utm'e'ko ZlegiH0i^xX
-okf 0.60x1.20x0.75,"



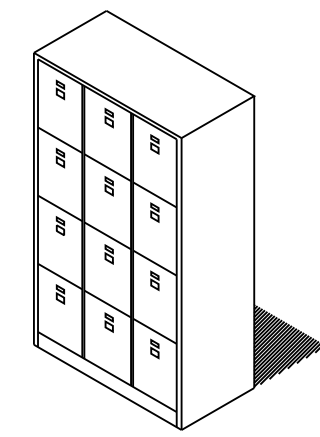
F-8

F9Utm'e'ko ZlegiH0i^xX
-okf 0.80x1.50x0.75,"



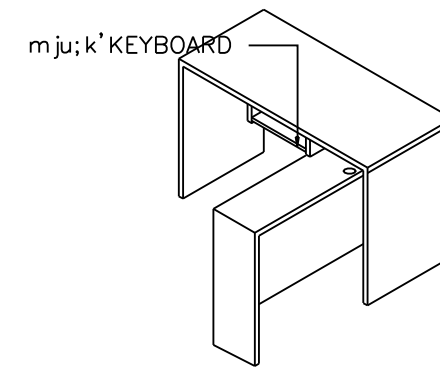
F-9

9h^gvdiki[kog]h'jvo ZlegiH0i^xX
-okf 0.40x0.90x0.81,"



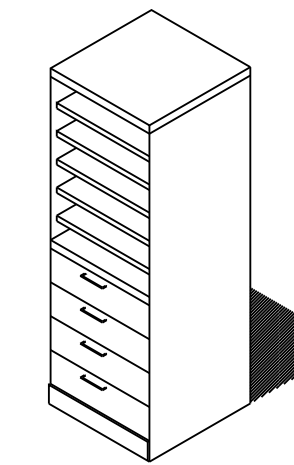
F-10

9h^LOCKER Zgs]HdX
-okf 0.45X0.90X1.80,"



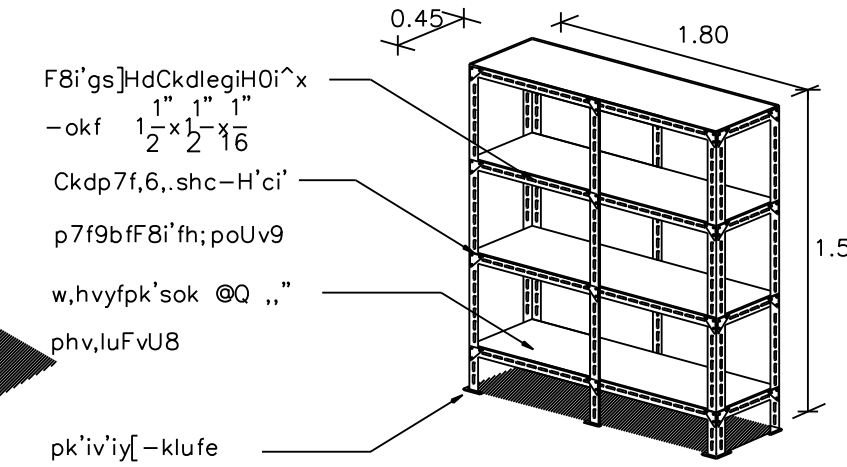
F-11

mju;k'KEYBOARD
F9U18v.rb;g9viNZlegiH0i^xX,umju;KEYBOARD
-okf 0.60x1.20x0.75,"
F9Ut-hk'-okf 0.50x1.00x0.75,"



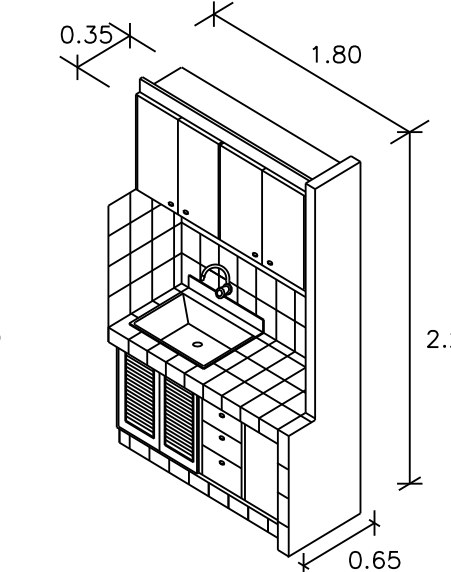
F-12

9h^gvdiki ZlegiH0i^xX
-okf 0.40x0.47x1.50,"



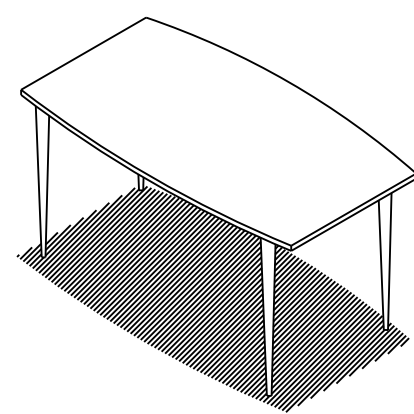
F-13

=yhogs]Hd;k'gvdiki
-okf 0.45x1.80x1.50,"



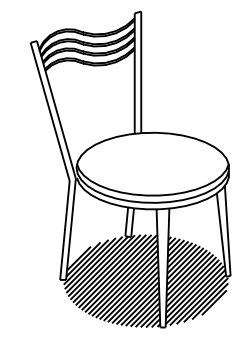
F-14

=6PANTRY Zg8koNg9viN 8""]x
-okf 0.65x1.80x2.25,"
f'c[[-pkp



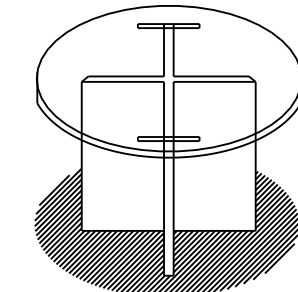
F-15

F9Utmkovski ZlegiH0i^xX
-okf 0.80x1.50x0.75,"



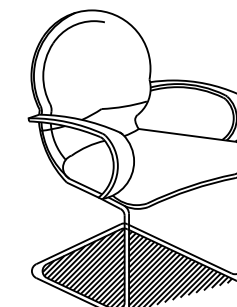
F-16

gdhkvuhmkovski ZlegiH0i^xX



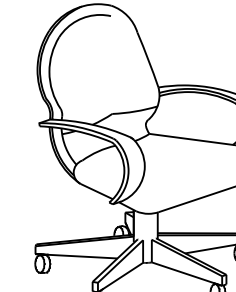
F-17

F9Utxit=6,legiH0i^x Z-v[dit0d.lg0upi-v]X
-okf 1.00," f'' 0.75,"



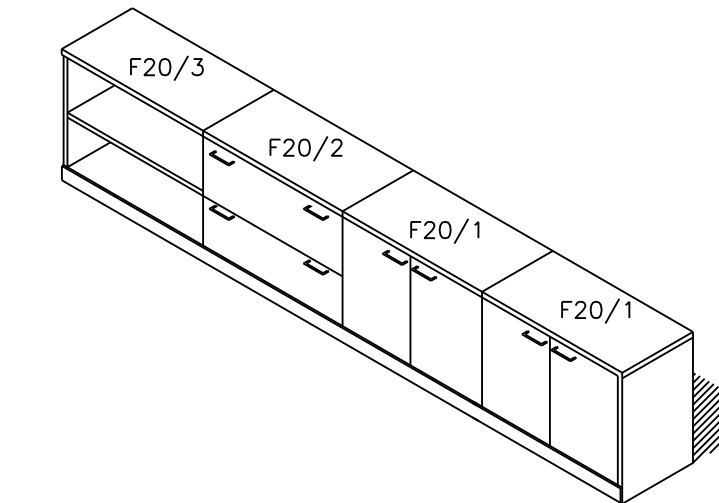
F-18

gdhkvuh ZlegiH0i^xX
-okfg[ktoyj] 0.50x0.48,"
-okfroydrb' 0.50x0.50,"



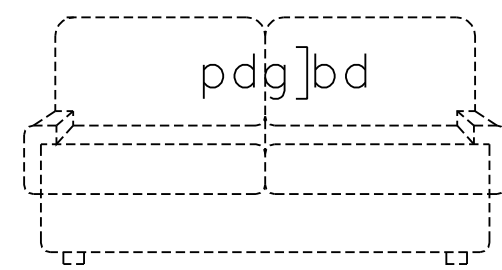
F-19

gdhkvuhzh^Oyfdki ZlegiH0i^xX
-okfg[ktoyj] 0.50x0.48,"
-okfroydrb' 0.50x0.57,"



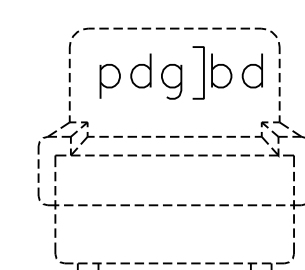
F-20

9h^gvdiki ZlegiH0i^xX
F20/1 -okf 0.40x0.90x0.81," Z[kogxbf3xbfx
F20/2 -okf 0.40x0.90x0.81," Z[ko]hho=ydX
F20/3 -okf 0.40x0.90x0.81," Z=yhoF]] c[[w.j.usohk]koX



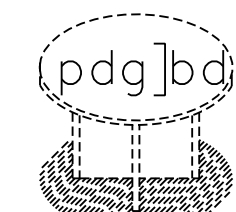
F-21/1

F:ok # mjuoyj,umhk;c-o ZlegiH0i^xX
-okf 0.83x1.38x0.725,"



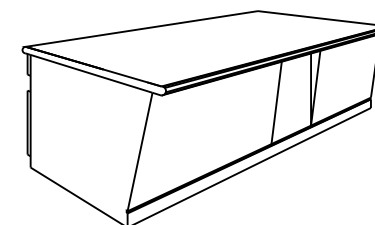
F-21/2

F:ok @ mjuoyj,umhk;c-o ZlegiH0i^xX
-okf 0.83x0.85x0.725,"



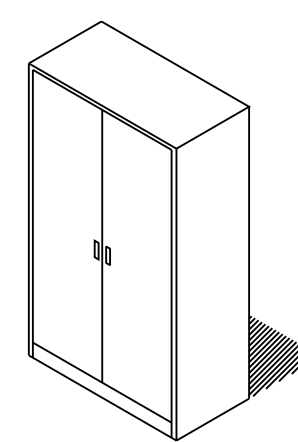
F-22

F9Utd]k'F:ok ZlegiH0i^xX
-okf 0.80x0.55,"
TOP PARTICLE BOARD



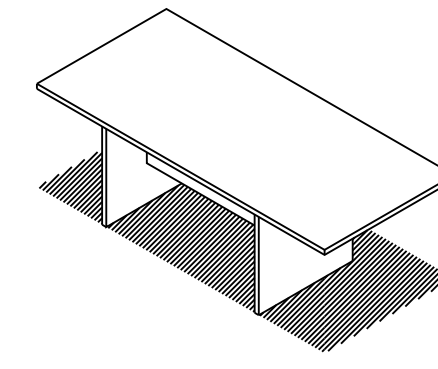
F-23

g8koNg9viNg9uhp
-okf 0.80x2.40x0.75,"
f'c[[-pkp



F-24

9h^gvdiki[kogxbf ZlegiH0i^xX Zgs]HdX
-okf ± 0.45x0.90x1.80"
-v' KINGDOM



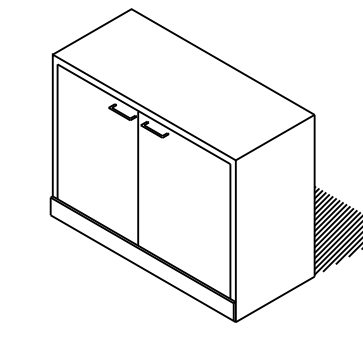
F-25

F9Utg8]upIN'ko ZlegiH0i^xX
-okf 1.00x2.40x0.75"



F-26


gdhkvuhg8]upIN'ko ZlegiH0i^xX
-okfg[ktoyj] 0.50x0.48,"
-okfg[ktoyj] 0.50x0.50,"



F-27

9h^gvdiki[kogxbf ZlegiH0i^xX
-okf 0.40x0.90x0.81,"

lk-kOyf:nhvz]b94yRN4kp.o=6,o

| REVISIONS | DATE |
|--|----------------------|
| | |
| | |
| | |
| | |
| NOTE • ALL DIMENSIONS ARE IN METER UNLESS OTHERWISE INDICATED • NO DIMENSION SHALL BE SCALED • ALL DRAWINGS ARE THE PROPERTY OF THE AREA CO.,LTD. AND CAN NOT BE USED REPRODUCED OR DUPLICATED WITHOUT PERMISSION | |
| OWNER Tok8kigrn jvdkgidK9i c]tsdidkigqk9i | |
| DESIGNER  111/1 Lodproo23 Lodoo Chaluchok Bangkok 10900 Tel. (662) 5139533-5 Fax. (662) 5139536 | |
| I5kxobd v]din 9ik=" 15"000# :yo=yp [6P;ib=pN 15"0"4 okp:bl"]n g0Bp;k;6cb 15"000#" okpLiu;yc0N ris;6;iii 15"5"4" | |
| ;bl;diF8'i'lihk' okp]y;yoTN -6mikoornlp'(#)/0 okpobokm mv'k lp'#+\$\$ | |
| ;bl;di6-k4b[k] okp]pk, 06jorb0kin 4d")_2Q okp]vj;Fio0N v699,lvikdi, okp=bl=yp =y=k]pnxiu=k | |
| ;bl;diwaahk okp=yp;yc0N :njy9i' 4od"*%0% okp;boyp mv'ory90N 4od"0)##" | |
| ;bl;dig8in'jv'd] okp]pk, 06jorb0kin 4d")_2Q | |
| ;y]Rokdi okp]bmTb=yp v6optryoTN 15"["Z4hp.ok ok'wku;ypN d6ptTiri9 LK[" okp]blit =";KN LK[" | |
| DRAWN | DATE |
| CHECKED | |
| APPROVED | |
| F8i'dki xiy]xi6'vk8kileoyd'kolk-k Zleoyd'ko # =yhoX muj9&' | |
| c[[clf' c[[clf'8i64y]RN | |
| FILE NO 0203 | DRAWING NO A - 40 |
| DATE 10 / 02 / 2003 | SUB TOTAL 46 |
| | GRAND TOTAL |

