

Tok8kigrjvdkigk9ic]tsdiNdkigdk9i

กองบริหารอาคารสำนักงาน

c[[
djvlihk'vk8ki lo''
lk-k ,k9i{ko # =yho
shv'gdH[g8injv'degobfwoahkvpj':hkp

15xobd
okp;b[^]pn g0ibP;ik;6<b 15''@00#"
okpLiu;yc0N ris;16;iii 15''\$*%\$4"

,y/Rokdi
okplbmTb=yp v6joptryoTN 15''[24kp.oX
ok'wkiu;ypN d6ptTiri9 L''

;bL;diFpTk
okply,ryoTN -6mikoomNp'' 6270
okpobookm mv',k lp'' 4933

;bL;diwaahk
okp=yp;yc0N :njv9i' 4od''5414
okpoyamr] r]d]hk 4od'' 4998
okpglib[Lbib ohvp;b]yp 4od''14080

16-k4b[k]
okpvjk,Fi0oN v699,txikdi,
okp=bf=yp =y;k]Nxiu=k

g-upoc[[

9i;Oc[[vo6,y9bc[[

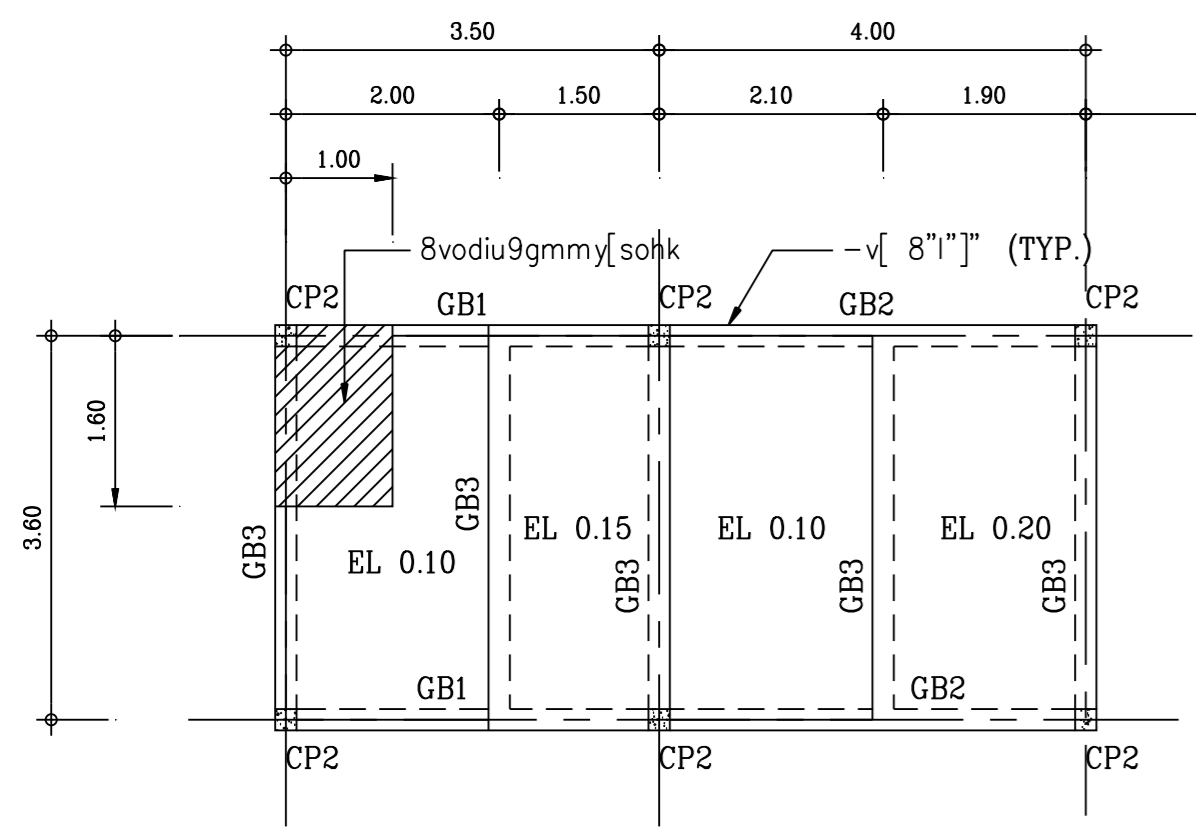
cdhw-c[[
8iyh'muj @

;yomujrAL0bdkpo 2544

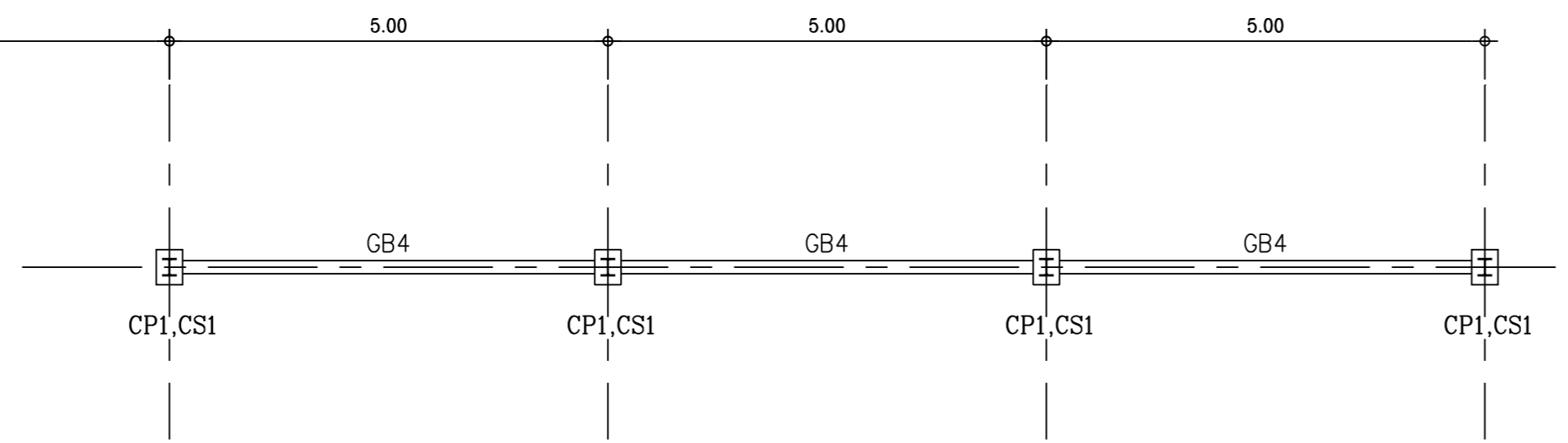
c[[clf'
F8i'lihk'shv'oh'e^d8hk
F8i'lihk'muj0vfi5Tok8ki

FILES NO. czjormuj
S-17

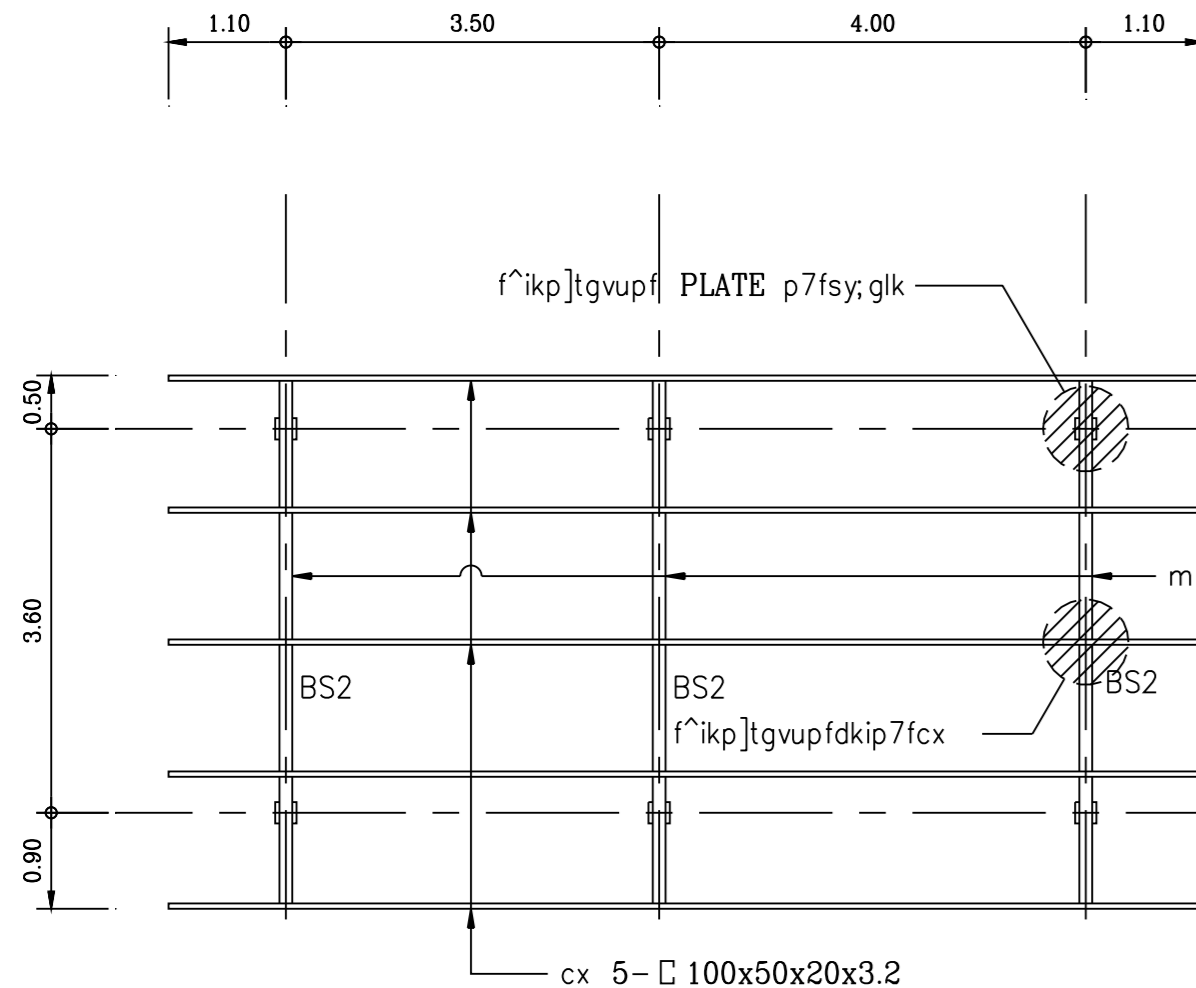
g]-mujc[[
i.,
19



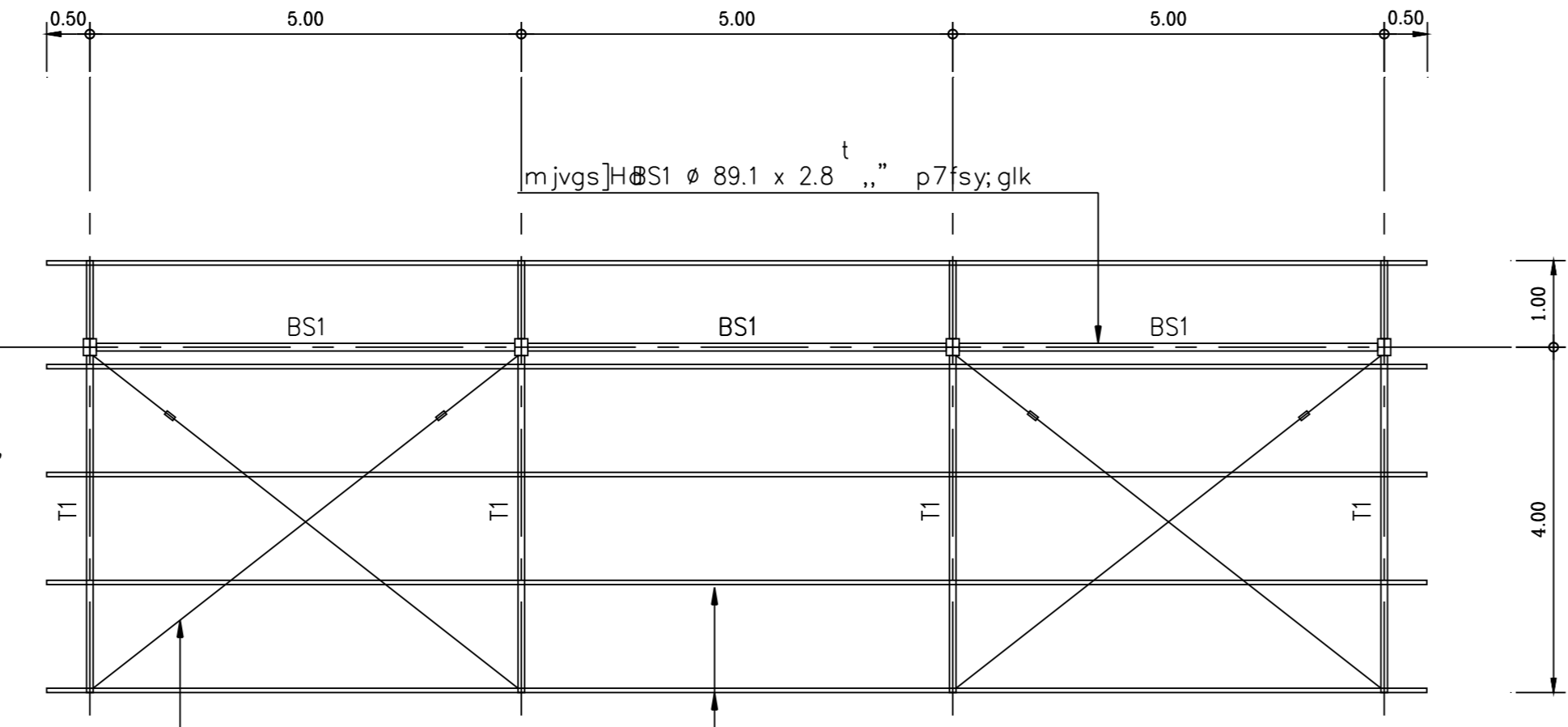
cx]oF8i'lihk'shv'oh'e^d8hk
,k9iklj;o 1 : 100



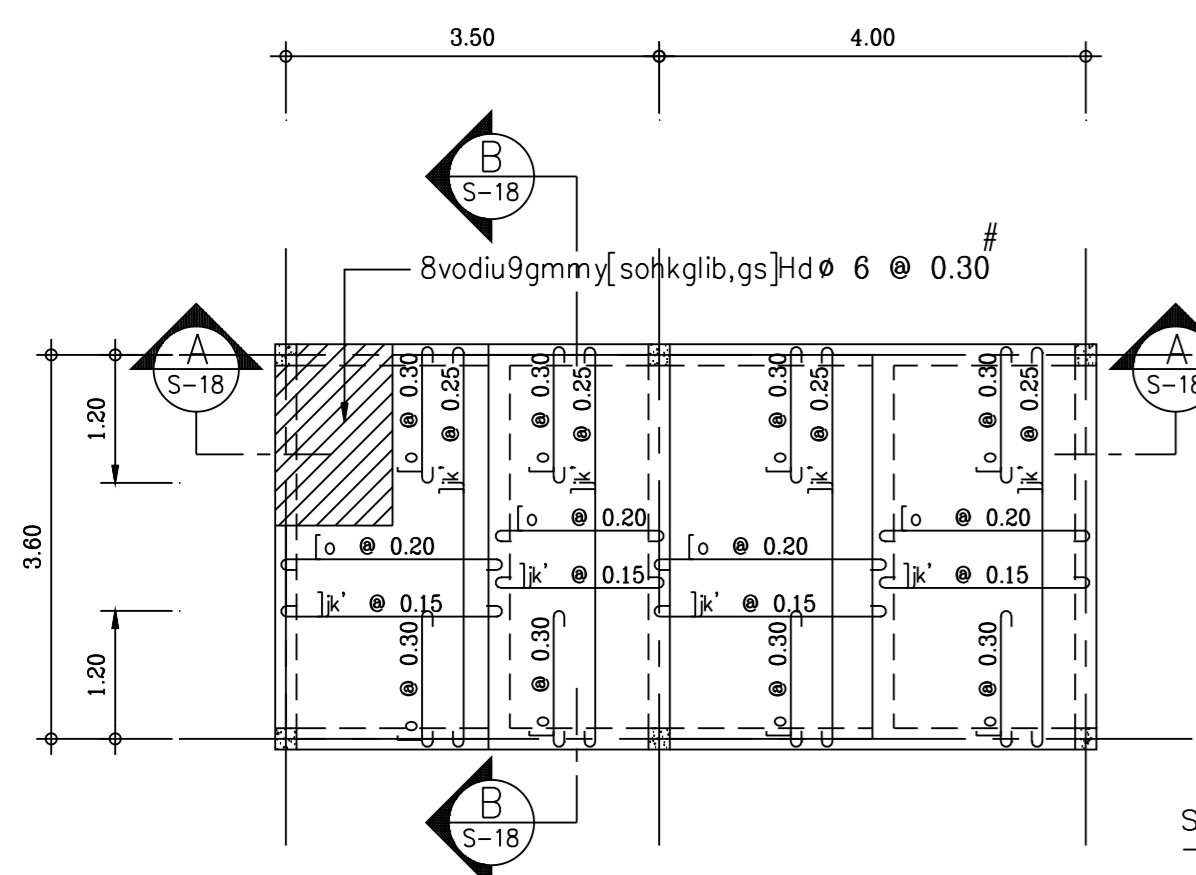
cx]oF8i'lihk'muj0vfi5Tok8ki
,k9iklj;o 1 : 100



cx]oF8i's]y'8kshv'oh'e^d8hk
,k9iklj;o 1 : 100



cx]oF8i's]y'8k
,k9iklj;o 1 : 100

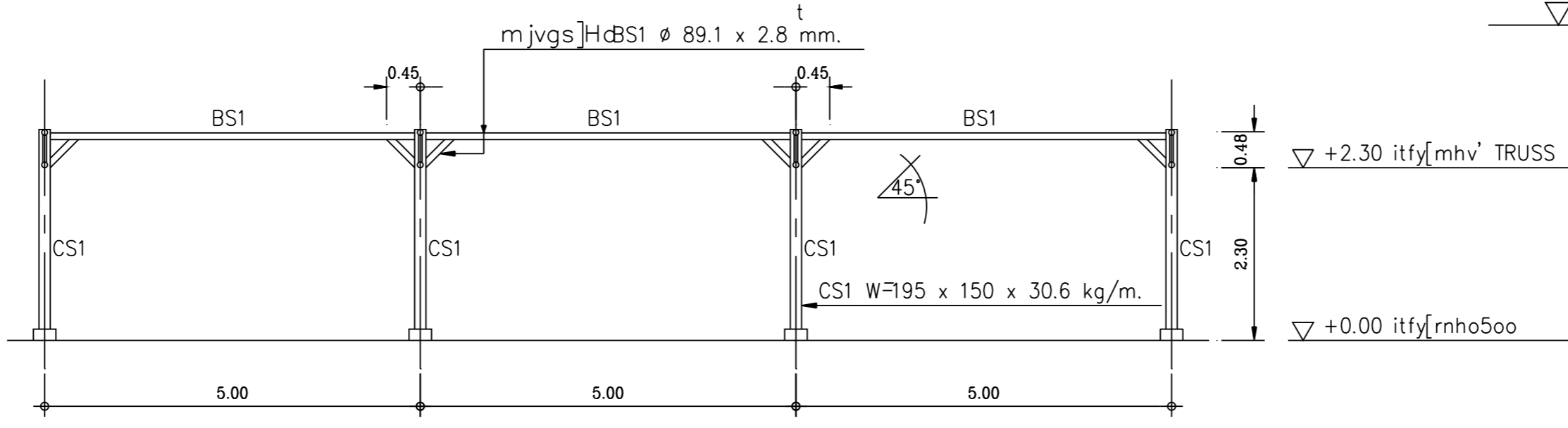


cx]oikp]tgvupfgs]Hdglib,rhno
,k9iklj;o 1 : 100

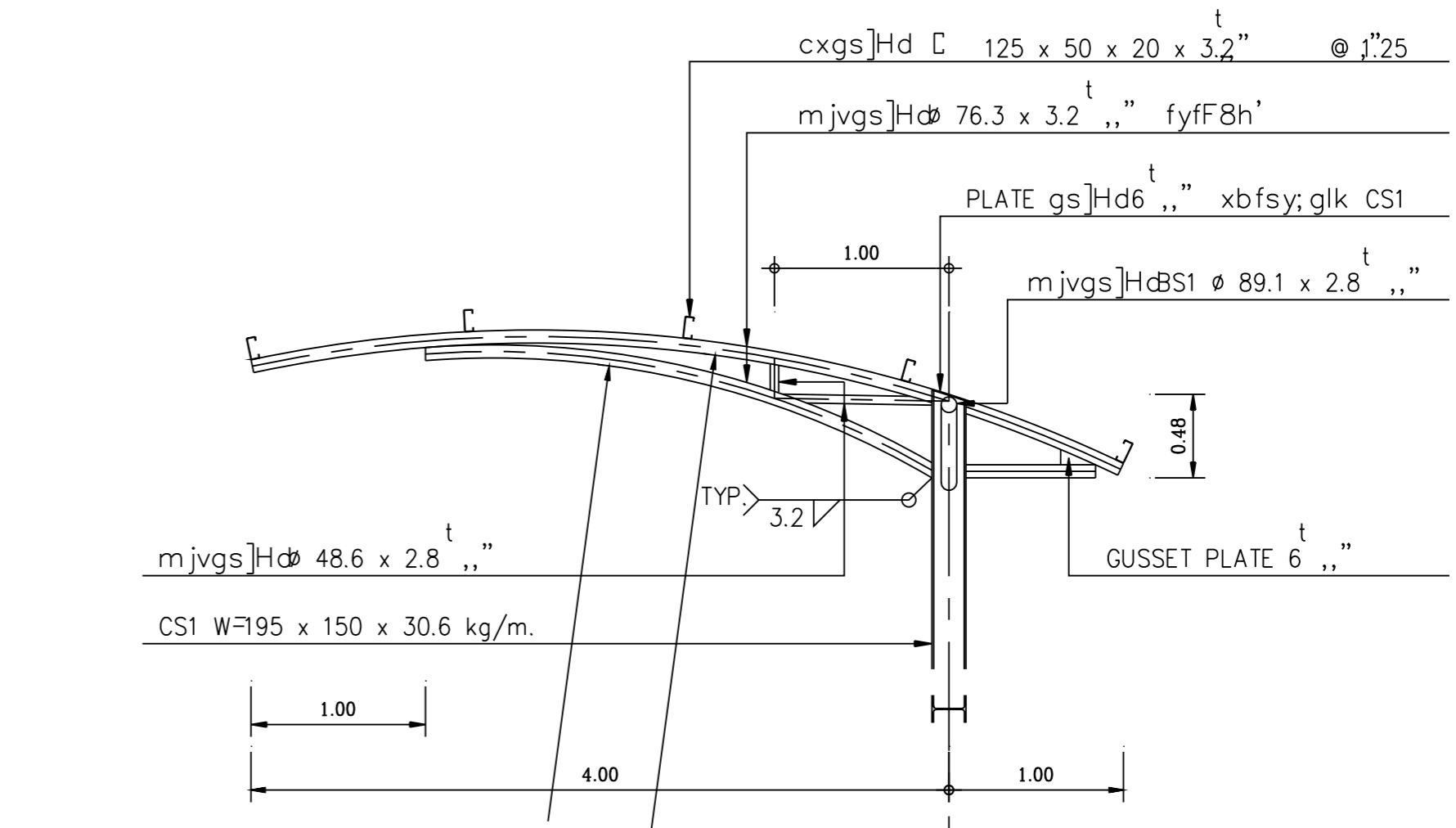
s,kpgs96

3 8;k,sokrnho @Q :,'

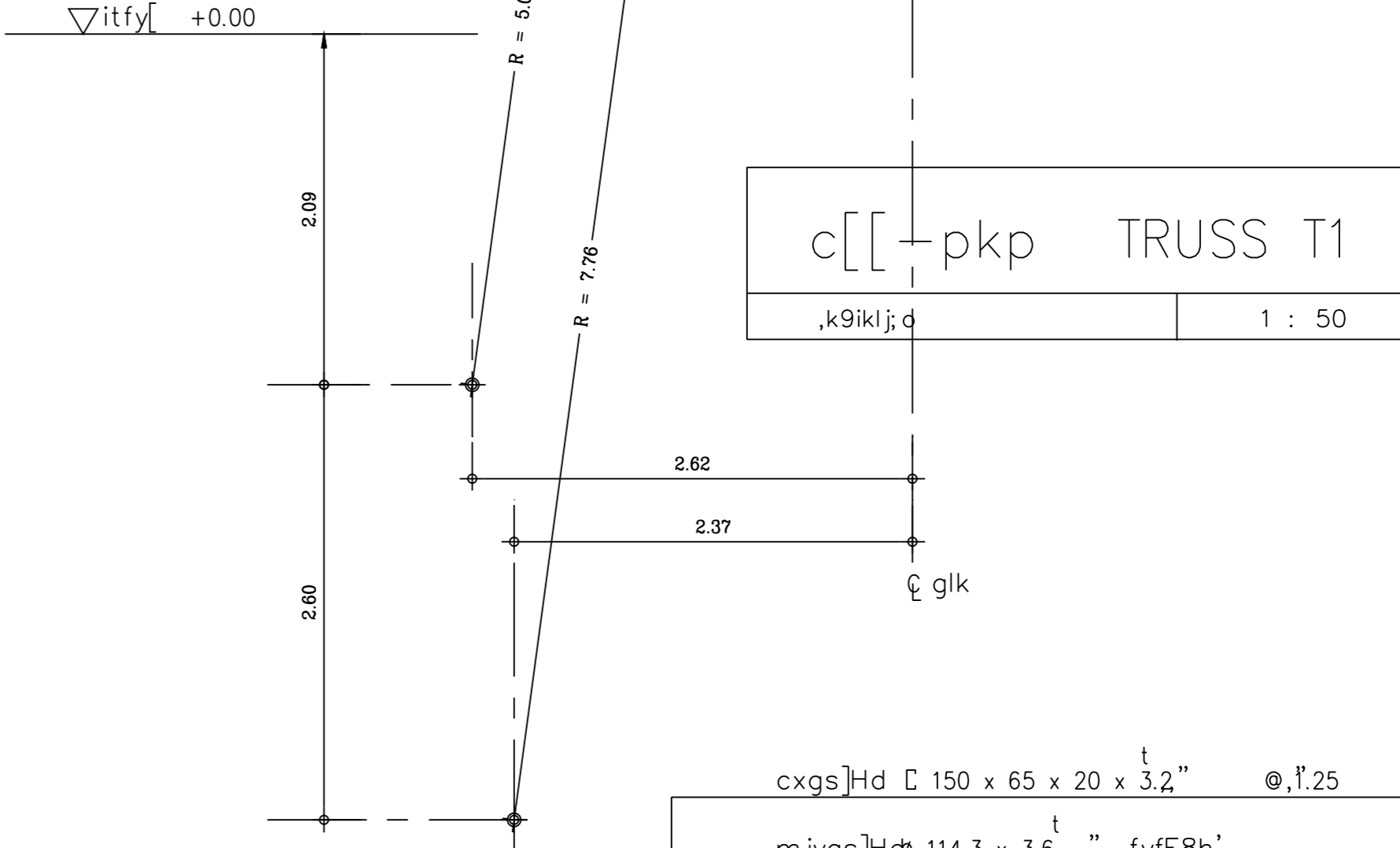
3 5hkw,jit[6gxHovp]k'vnjogs]Hdglib,=h-o# 9



i^xfhko BS1
,k9iklj;o 1 : 100



c[[-pkp TRUSS T1
,k9iklj;o 1 : 50



c[[-pkp BS2
,k9iklj;o 1 : 50

