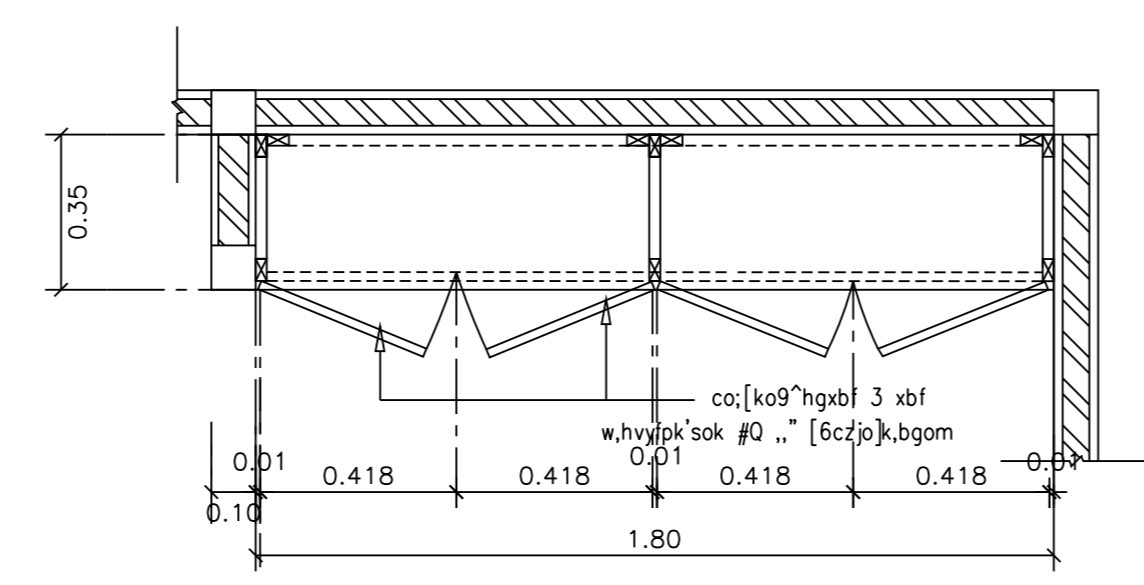
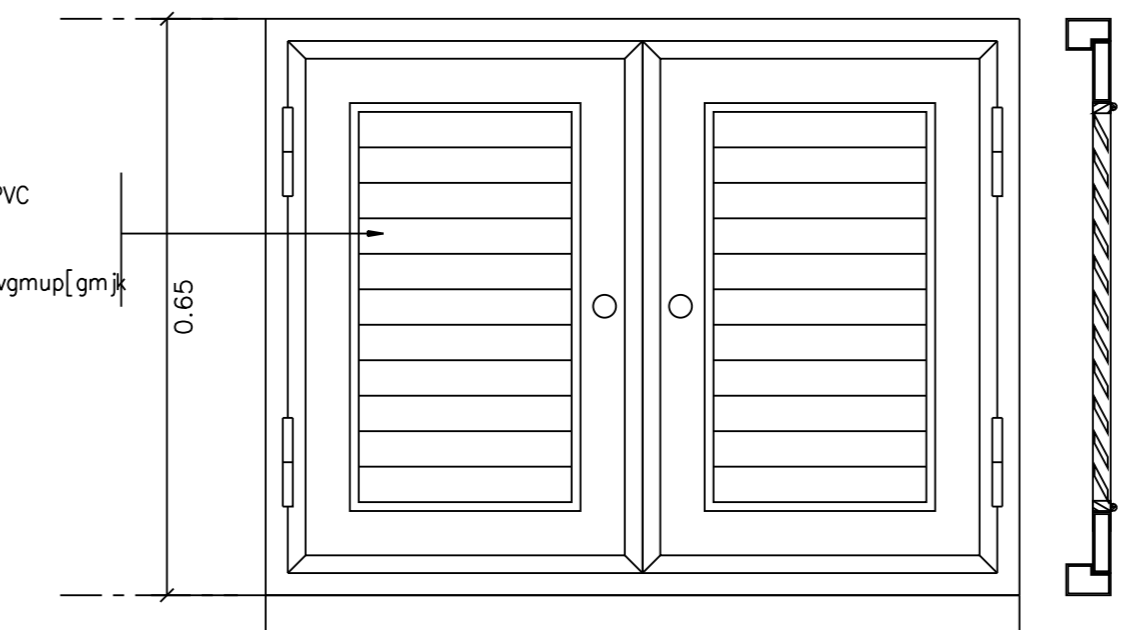


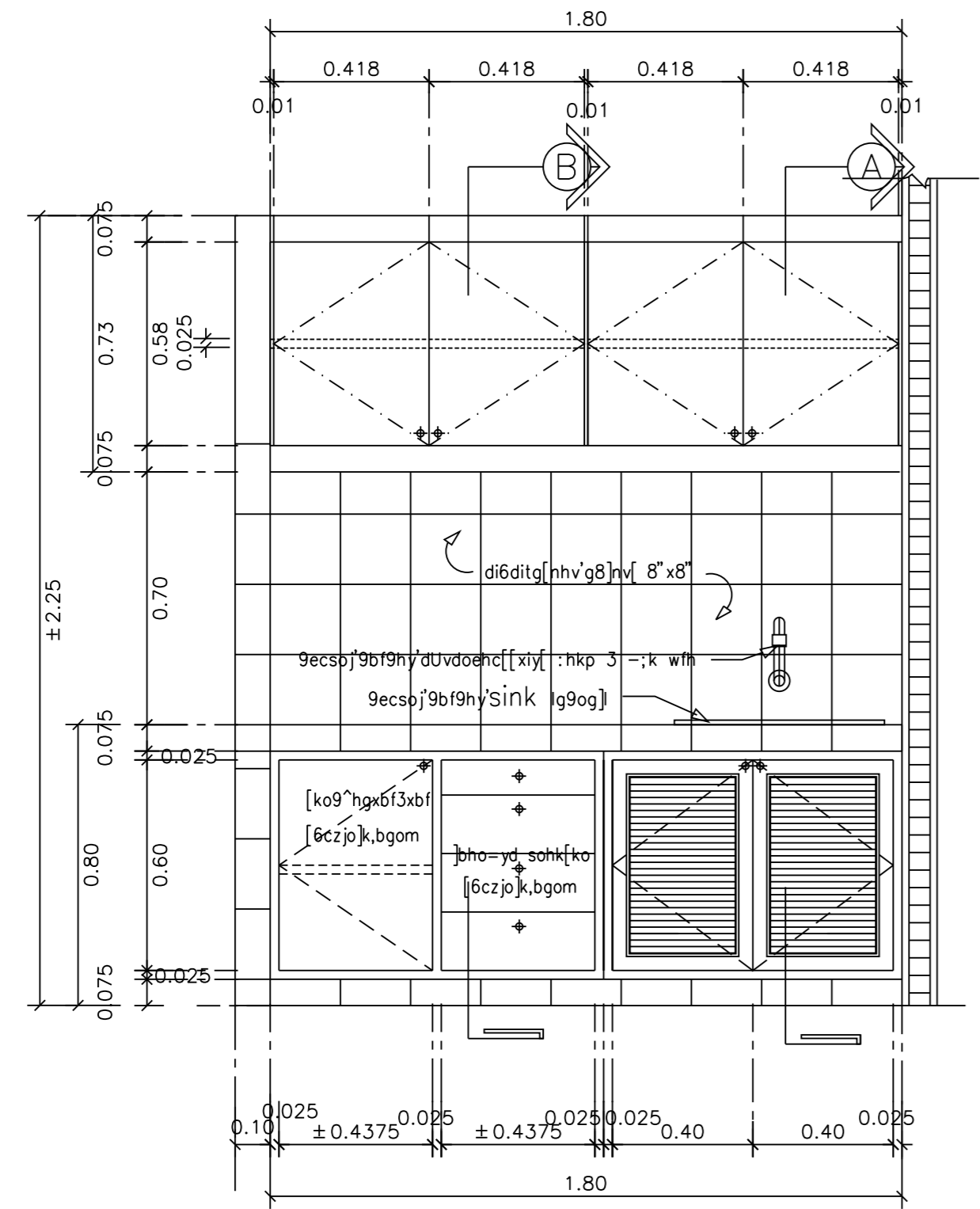
cx]og8koNg9viN sink (F-14)
.k9ikij;o 1:20



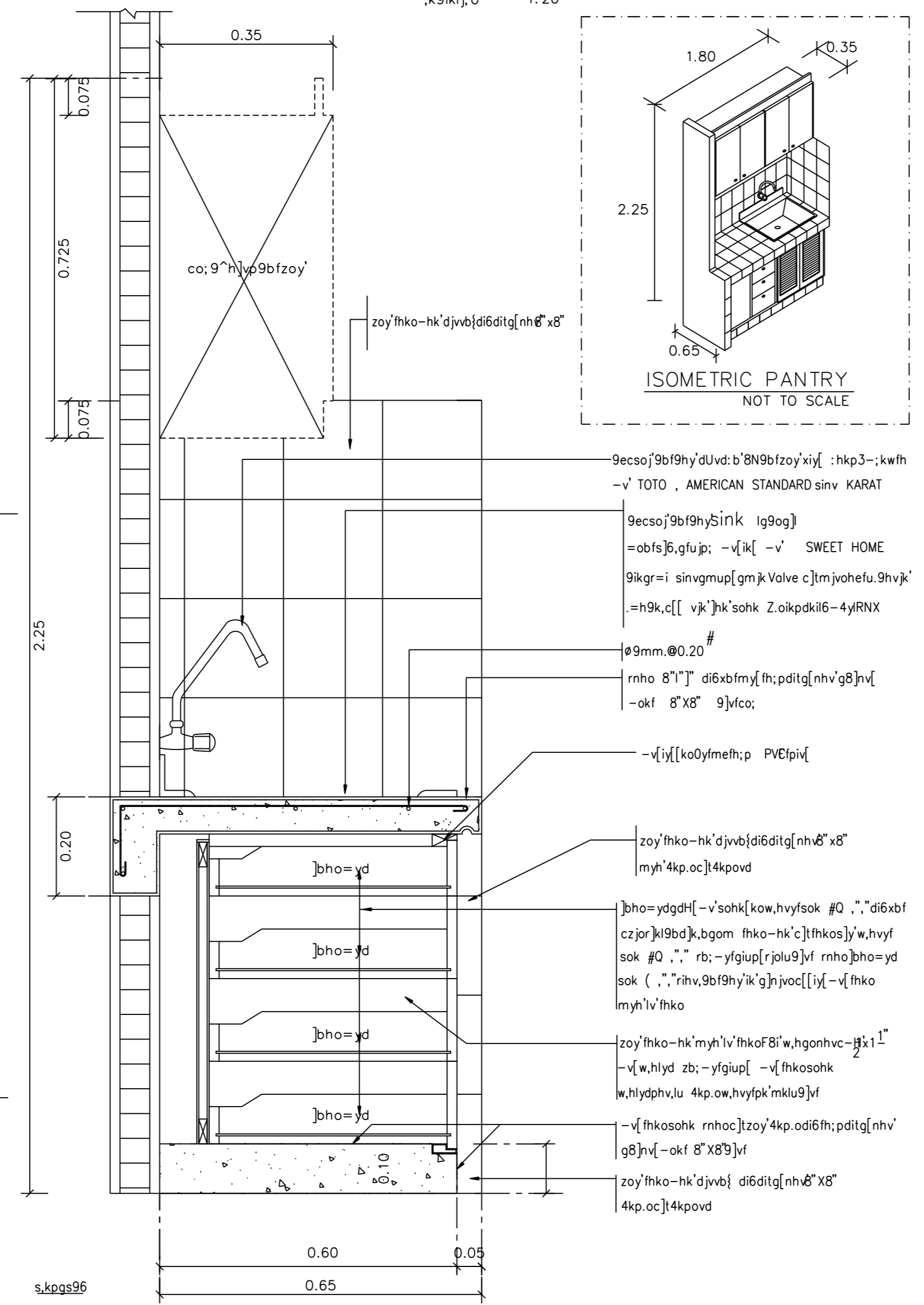
cx]o9h^]vp
.k9ikij;o 1:20



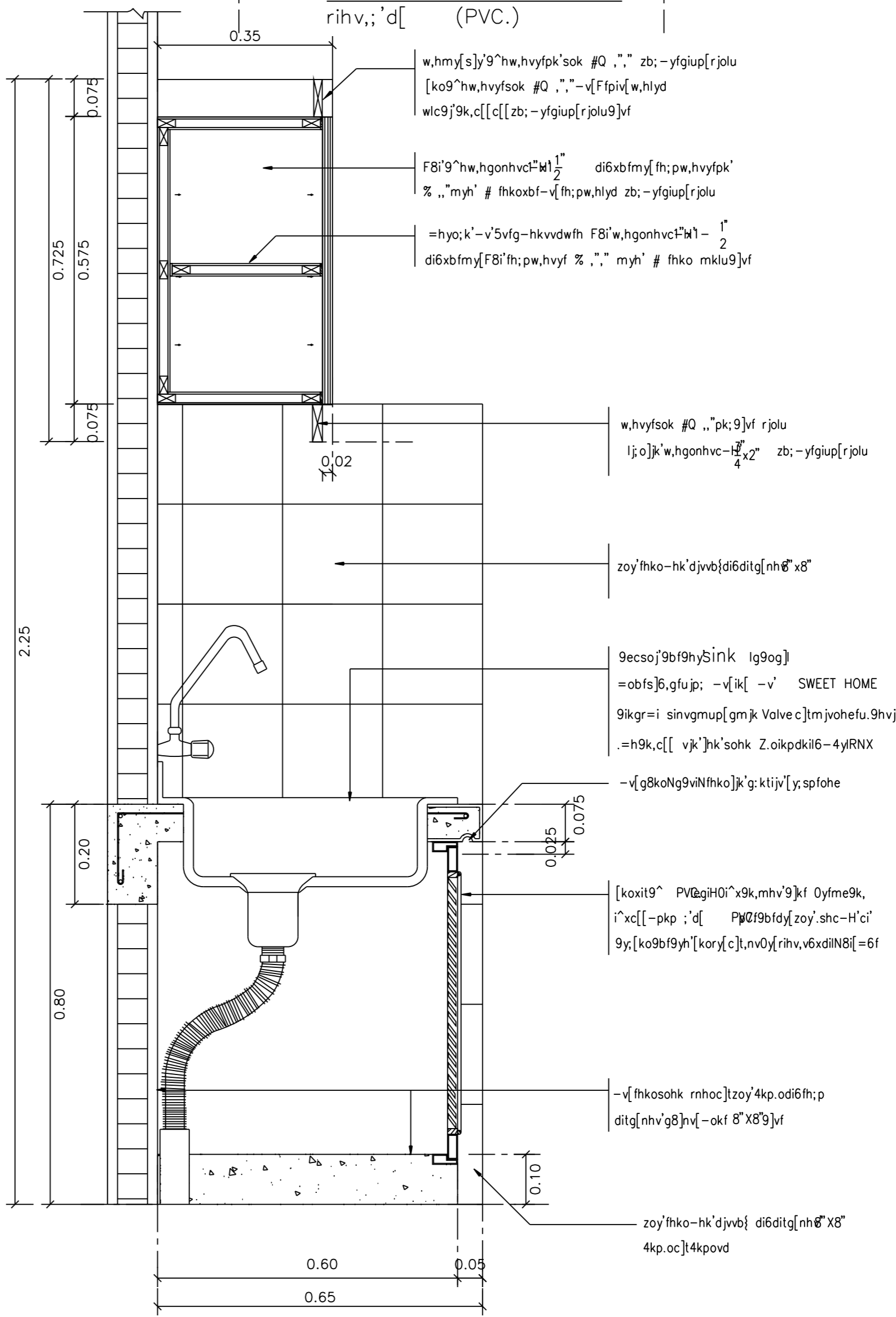
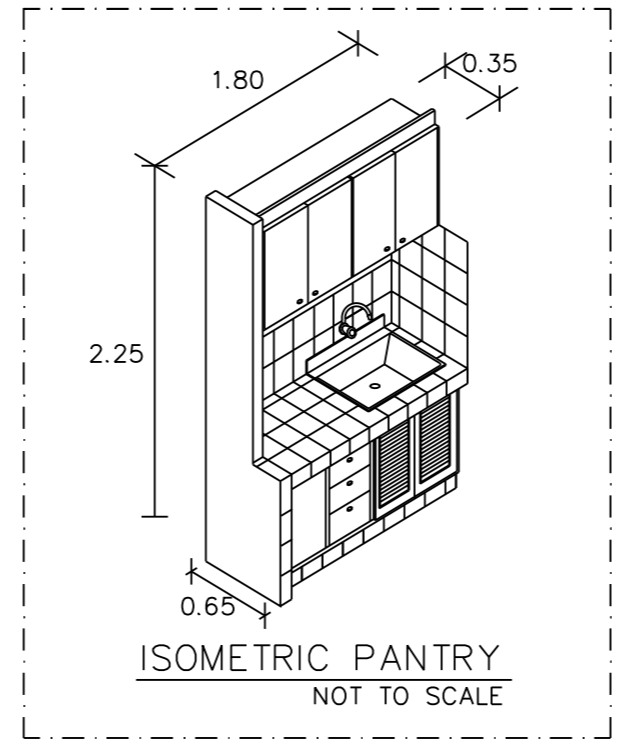
c[[-pkp[kogd]Hf 1 : 10
rihv,;d[' (PVC.)



i^xfkosohk
.k9ikij;o 1:20



s,kpgs96
v6xdilN,nv0y\ shoe9y;vp;k'.k.sh,yfRokdi-v'Tak8ki0
g]hv44kps]y' i^x9yf (B)
.k9ikij;o 1:10



i^x9yf (A)
.k9ikij;o 1:10

REVISIONS	DATE
NOTE	
• ALL DIMENSIONS ARE IN METER UNLESS OTHERWISE INDICATED	
• NO DIMENSION SHALL BE SCALED	
• ALL DRAWINGS ARE THE PROPERTY OF THE AREA CO.,LTD. AND CAN NOT BE USED REPRODUCED OR DUPLICATED WITHOUT PERMISSION	
OWNER	
Tok8kigrn jvdkgidK9i	
c]tsididkigqk9i	
DESIGNER	
AREA CO.,LTD.	
111/1 Lodproa23 Lodoo Chulochak Bangkok 10900	
Tel. (662) 5139533-5 Fax. (662) 5139536	
I5kxobd	
v]din 9ik=^	15°00'00"
yo:yp [6P;ib=pN	15°00'00"
okp:bl["]N g0Bp;ik;6c	15°00'00"
okpLiu;ycON ris;6;ill	15°00'00"
okp:cg=KIN g0bPtu["iN	15°00'00"
;bl; diF8i'lihk'	
okp]y;yoTN -6miko0N ip'(0)	
okpobookm mv'.k	lp'%+\$\$
;bl; diI6-k4b[k]	
okp]pk_06jor0kIn 4d')_20	
okp]v]k;FI00N	v699;lxikdi,
okp=b]y;yp	=y;k]pNxiu=k
;bl; diwaahk	
okp:yp;ycON :nj9i' 4od'*%00%	
okp:boyp	mv'or]y90N 4od'00)##
;bl; dig8in]v'd	
okp]pk_06jor0kIn 4d')_20	
y]Rokdi	
okp]bm]b;yp	v6op]ryoTN 15°[24]p.ak
ok'w]k;yp]N	d6pt]tir]9 LK["
okp]k]l1	=;KN LK["
DRAWN	DATE
CHECKED	
APPROVED	
F8i'dki	
xiy]xi6'vk8kileoyd'kolk-k	
Zleoyd'ko # =yhoX	
mu]j9&'	
c[[-pkp=6fg9iup,vkski	
F14	
FILE NO	DRAWING NO
0203	A - 45
DATE	
10 / 02 / 2003	
SUB TOTAL	GRAND TOTAL
46	

