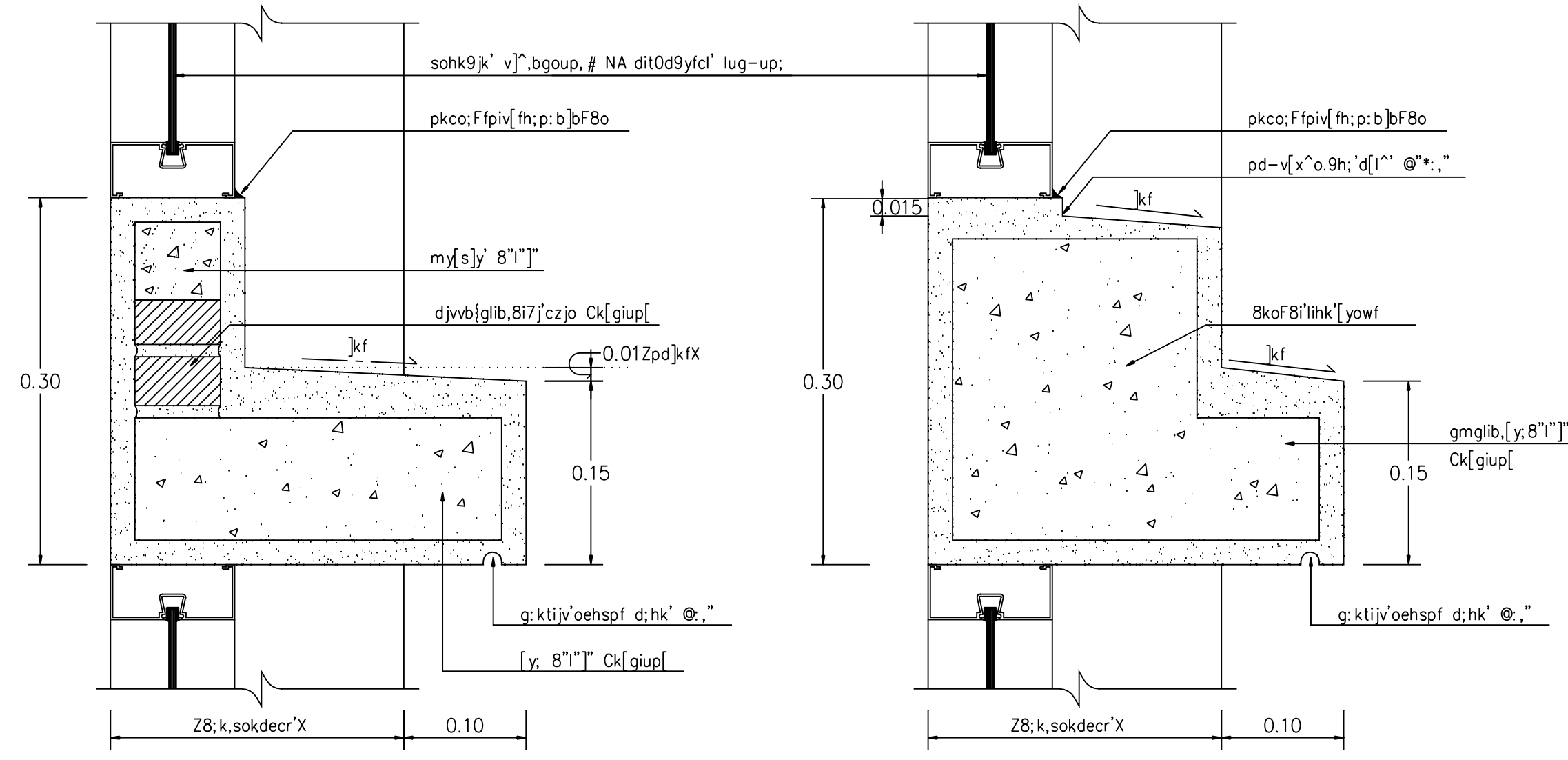
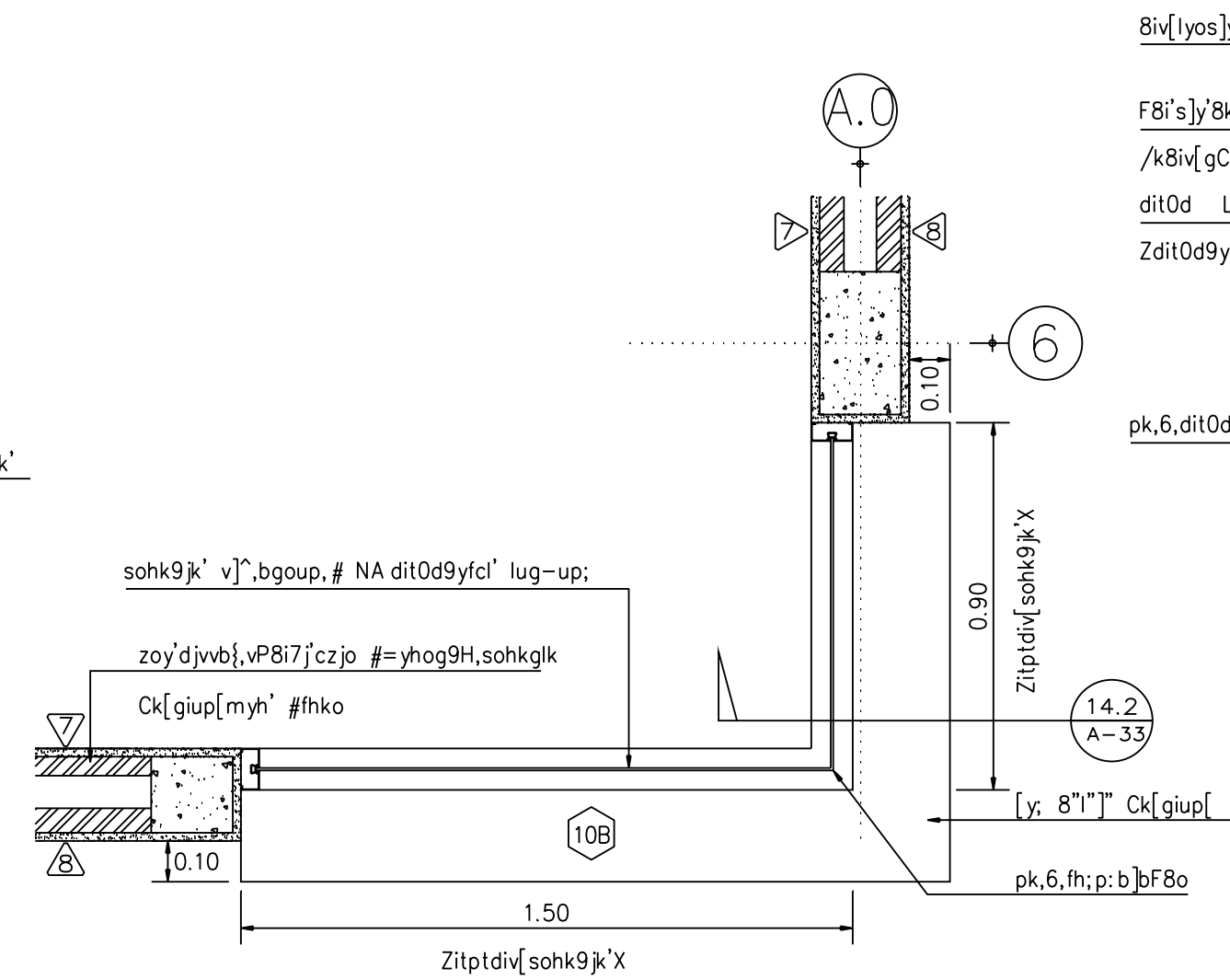


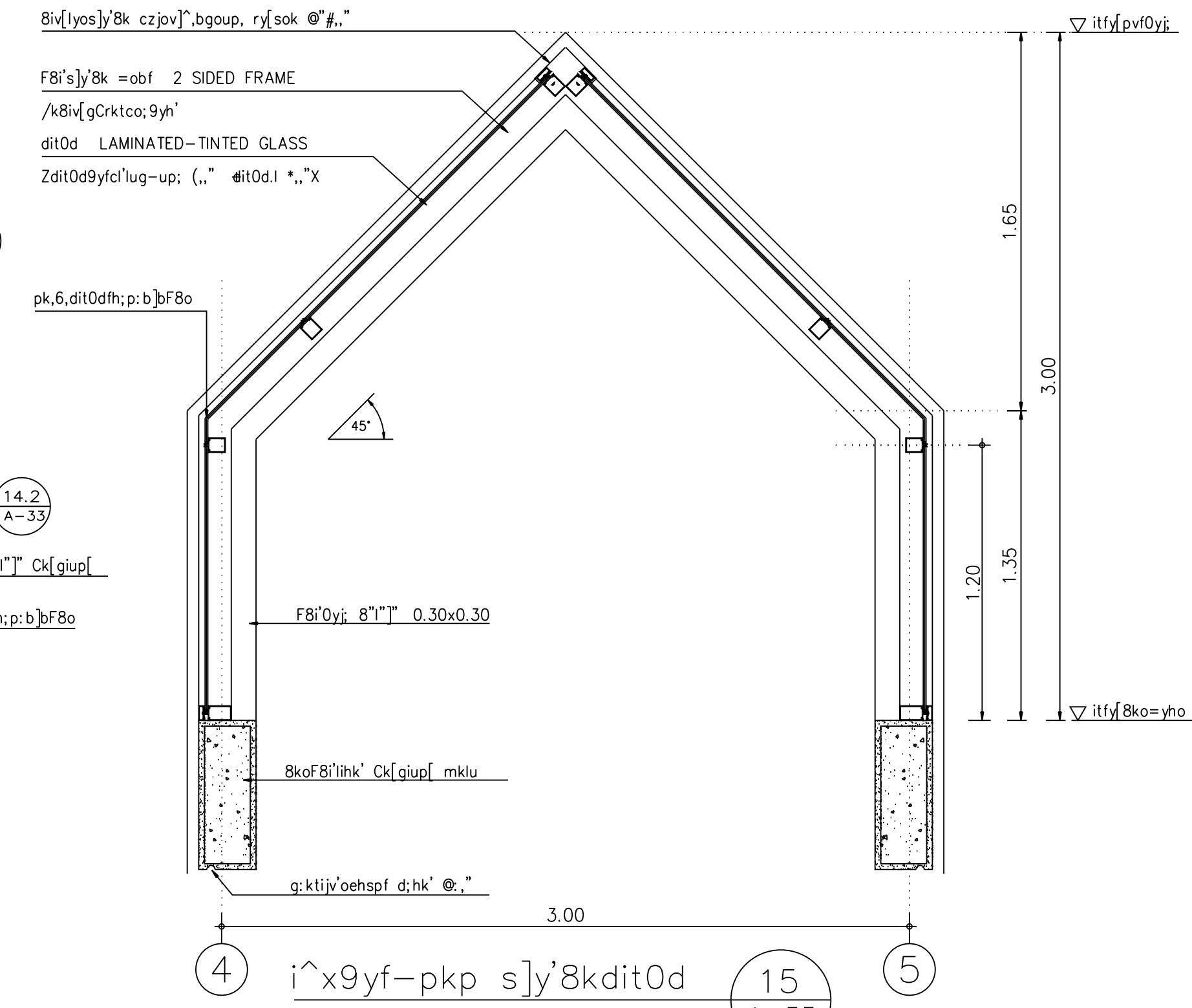
i^x fhkosohk9jk',6,d]jv[yowf 14 A-33
k9kij: o 1 : 50



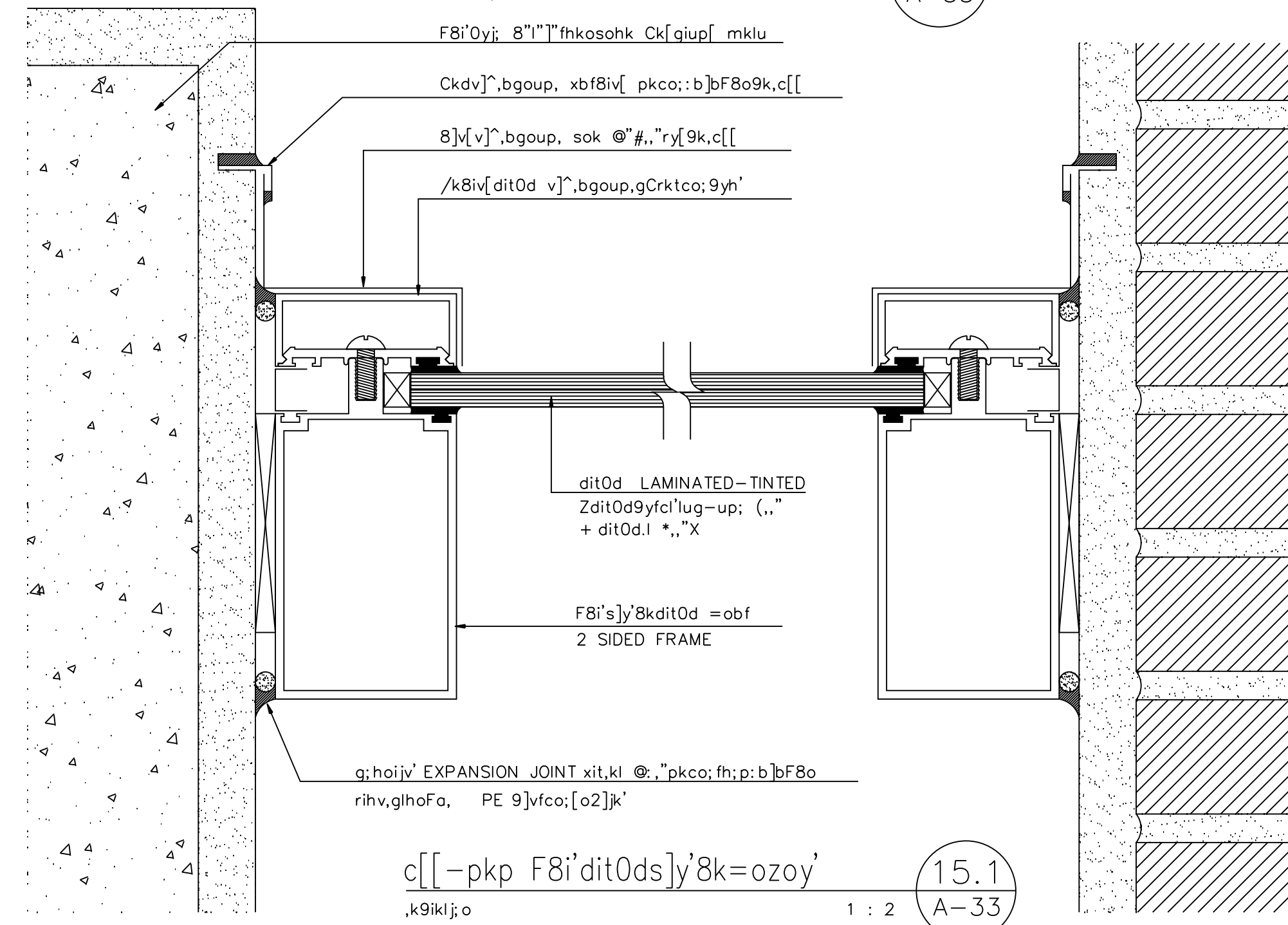
i^x9yf-pkp [y:8"]]-v[sohk9jk' 14.2 A-33
k9kij: o 1 : 5



cx]o-pkpsohk9jk',6,d]jv[yowf 14.1 A-33
k9kij: o 1 : 20



i^x9yf-pkp s]y'8kdit0d 15 A-33
k9kij: o 1 : 25



c[-pkp F8i'dit0ds]y'8k=ozoy' 15.1 A-33
k9kij: o 1 : 2

REVISIONS	DATE
A c[[d]virk'	15/02/2000

NOTE
 • ALL DIMENSIONS ARE IN METER UNLESS OTHERWISE INDICATED
 • NO DIMENSION SHALL BE SCALED
 • ALL DRAWINGS ARE THE PROPERTY OF THE AREA CO.,LTD. AND CAN NOT BE USED REPRODUCED OR DUPLICATED WITHOUT PERMISSION

OWNER
 Tok8kigrn jvdkgidK9i
 c]tsdidkigkq9i

DESIGNER
AREA AREA CO.,LTD.
 111/1 Lodpro23 Ladoo Chutuchok Bangkok 10900
 Tel. (662) 5139533-5 Fax. (662) 5139536

15kxobd
 v]din 9k=^ 15°00#
 :yo=yp [6P;ib=pN 15°0#%4
 ri=yp d9b;iklilki 15°#%#4
 :b]m g9bP;ik;6ch 15°00#

ASSISTANT ARCHITECT
 gdup'wdi clo6;LN
 ;bl; dif8i'lihk'
 .kot 0"PrXNlydibN 1p"02#
 v]din 9k=^ 1p"00#
 foyp i; k'FC. 1p"0#*_-
 ;bl; dil6-k4b[k]
 i64ymi ;ktb=pN6# lod'0#%_
 Lbib=yp 0yo9iud6] x;!"
 ;bl; diwaahk
 [i0' g9bP;ob0r]z] :od'0#
 =yp; ycoN :nj9i' 4od'0#0#
 ;bl; dig8in jv'd
 lyj ob9bro 10'0#_#
 ;yRokdi
 ruil69 i6;ildp;bdpN 15°#%04
 lbtmTb=yp v6joptryd9N' 24kp.oX
 DRAWN DATE
 [tby9i s;yl;lug]l
 CHECKED
 APPROVED
 F8i'dki
 vk8kileoyd'kolk-k
 muj9&'
 v' liirpk 0" =ypokm
 c[[clf'
 c[[-pkp,6,d]jv[yowf
 c[[-pkps]y'8kdit0d
 FILE NO 9910 DRAWING NO A-33
 DATE 15 / 02 / 2000
 SUB TOTAL GRAND TOTAL

