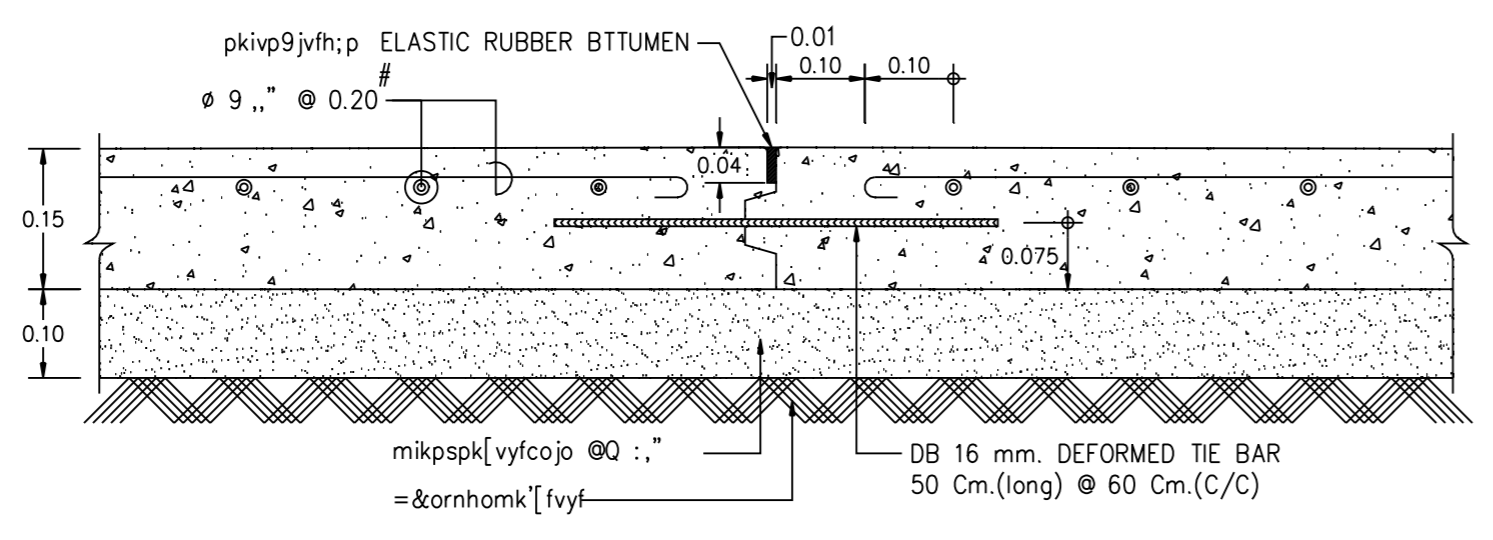
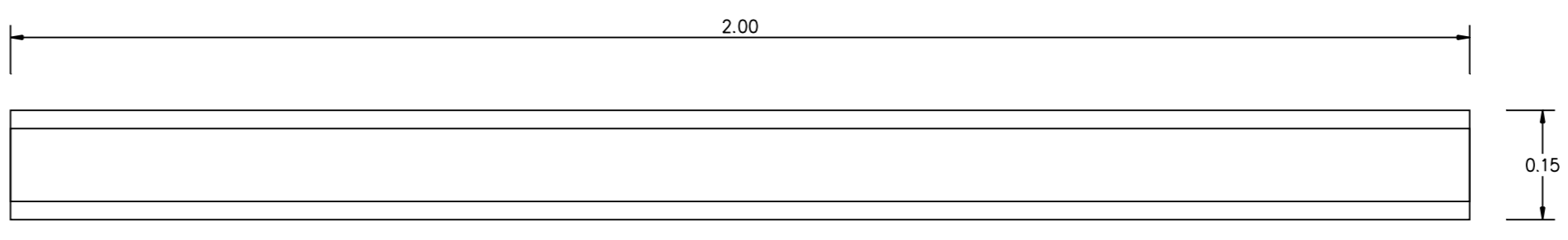
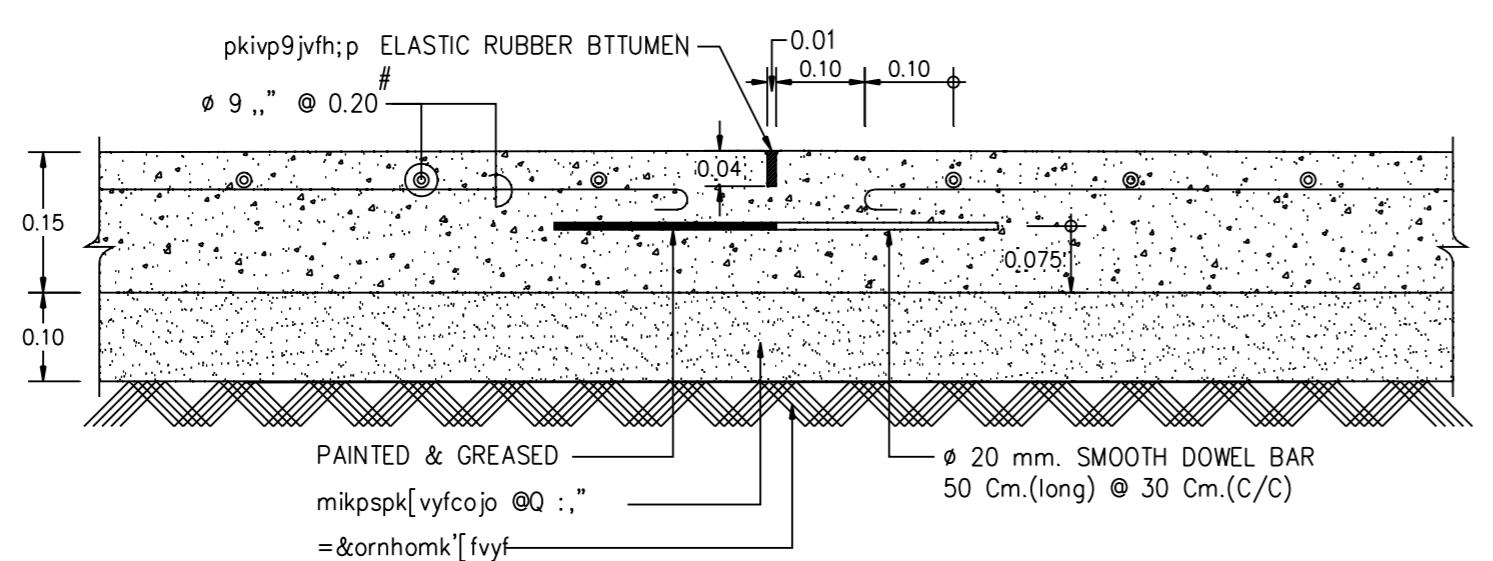


c[[-pkpdkiglib,gs]Hd50oc]tmk'gmhk
k9ikljo 1 : 20

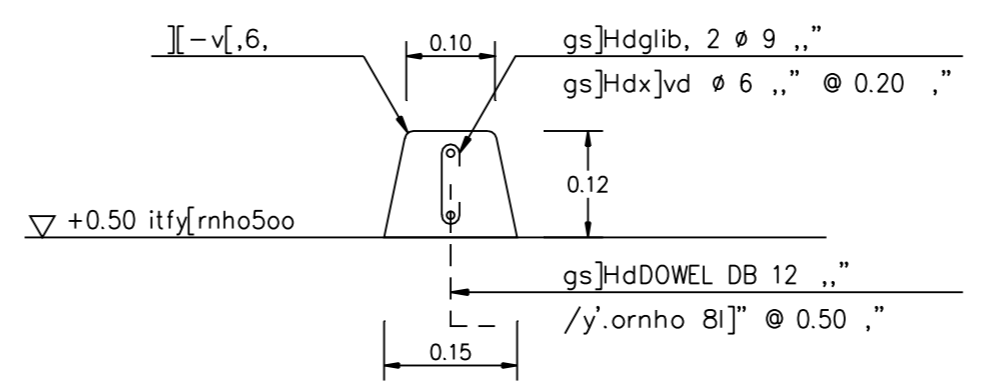


c[[-pkp LONGITUDINAL JOINT
k9ikljo 1 : 10

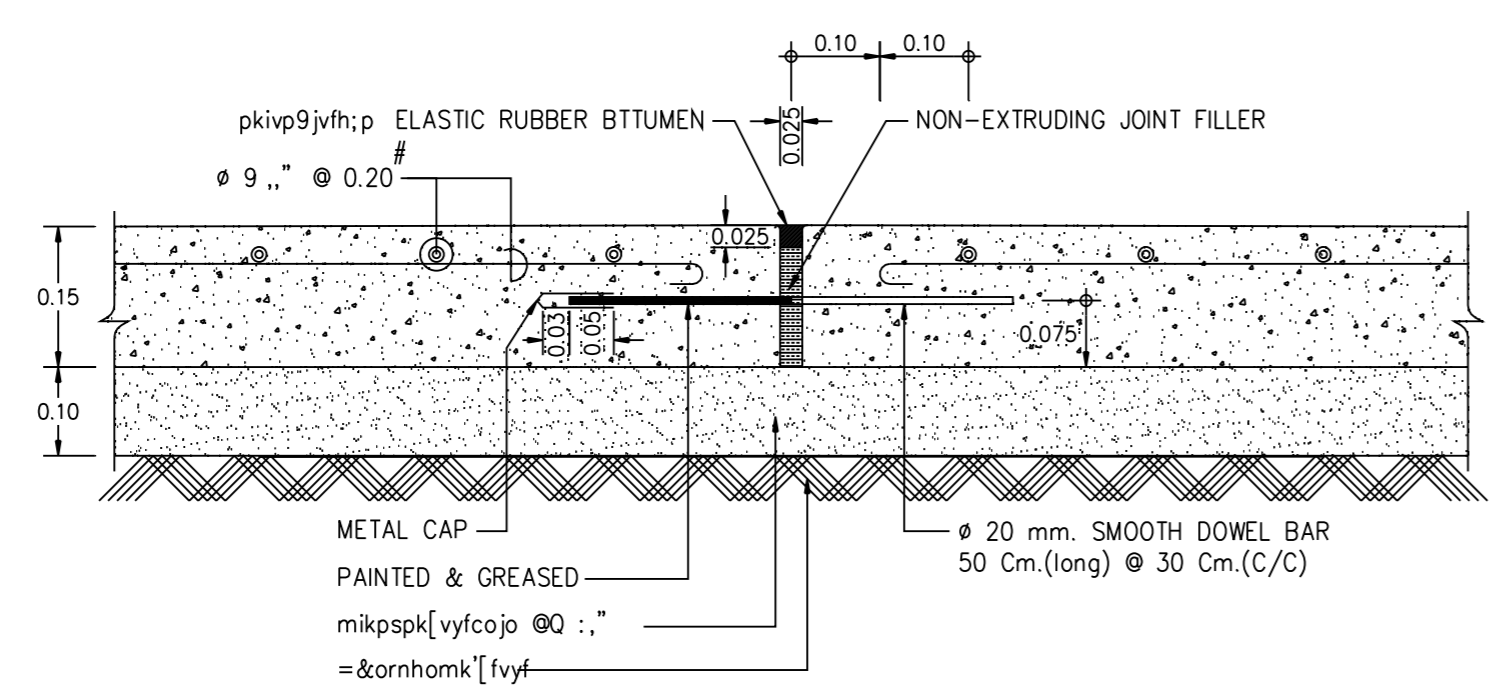
cx]o-pkp8yoshk,]hv
k9ikljo 1 : 10



c[[-pkp CONTRACTION JOINT
k9ikljo 1 : 10



i^x9yf-pkp8yoshk,]hv
k9ikljo 1 : 10



c[[-pkp EXPANSION JOINT
k9ikljo 1 : 10

REVISIONS	DATE
A c[[-pkpdkiglib,gs]Hd50oc]tmk'gmhk	15/02/2000
NOTE • ALL DIMENSIONS ARE IN METER UNLESS OTHERWISE INDICATED • NO DIMENSION SHALL BE SCALED • ALL DRAWINGS ARE THE PROPERTY OF THE AREA CO.,LTD. AND CAN NOT BE USED REPRODUCED OR DUPLICATED WITHOUT PERMISSION	
OWNER Tok8kigrjvdkigdK9i c]t]tsdildkigqk9i	
DESIGNER AREA CO.,LTD. 111/1 Lodproo23 Ladyao Chaturach Bangkok 10900 Tel. (662) 5139533-5 Fax. (662) 5139536	
15kxobd v]dlin 9ik=^ 15"00# :yo=yp [6P;ib=pN 15"0"4 ri=yp db9b;iklilki 15"7"4 :b]N g9b;ik;6cb 15"00#	
ASSISTANT ARCHITECT gduw'edi clo6;LN :bl; dif8i'lihk' .kot 0i^Pr^XNlydibN 1p"00# v]dlin 9ik=^ 1p"00# foyp i; k'FC, 1p"00#	
:bl; dil6-k4b[k] i64ymi ;ktb=pNd6] lod"0]_ Lbib=yp 0yo9iud6] x;]"	
:bl; diwaahk [iio" g9b;Pdb0r"z] :od"0]# =yp; ycoN :nj9i' 4od"0]#	
:bl; dig8in jv'd] ly] ob9bro 1d"0]_	
:yRokdi ruil69 i6;idp;bdpN 15"0"04 lbtb=yp v6joptryd9] "24kp.oX	
DRAWN DATE [brydi s;yl;lug]L	
CHECKED	
APPROVED	
F8i'dki vk8kileoyd'kolk-k muj9&' v"sov'sko 0" v6iitkou	
c[[-pkpdkiglib,gs]Hd50oc] mk'gmhk c]t]8yoshk,]hv	
FILE NO 9909	DRAWING NO S - 23
DATE 15 / 02 / 2000	
SUB TOTAL	GRAND TOTAL

