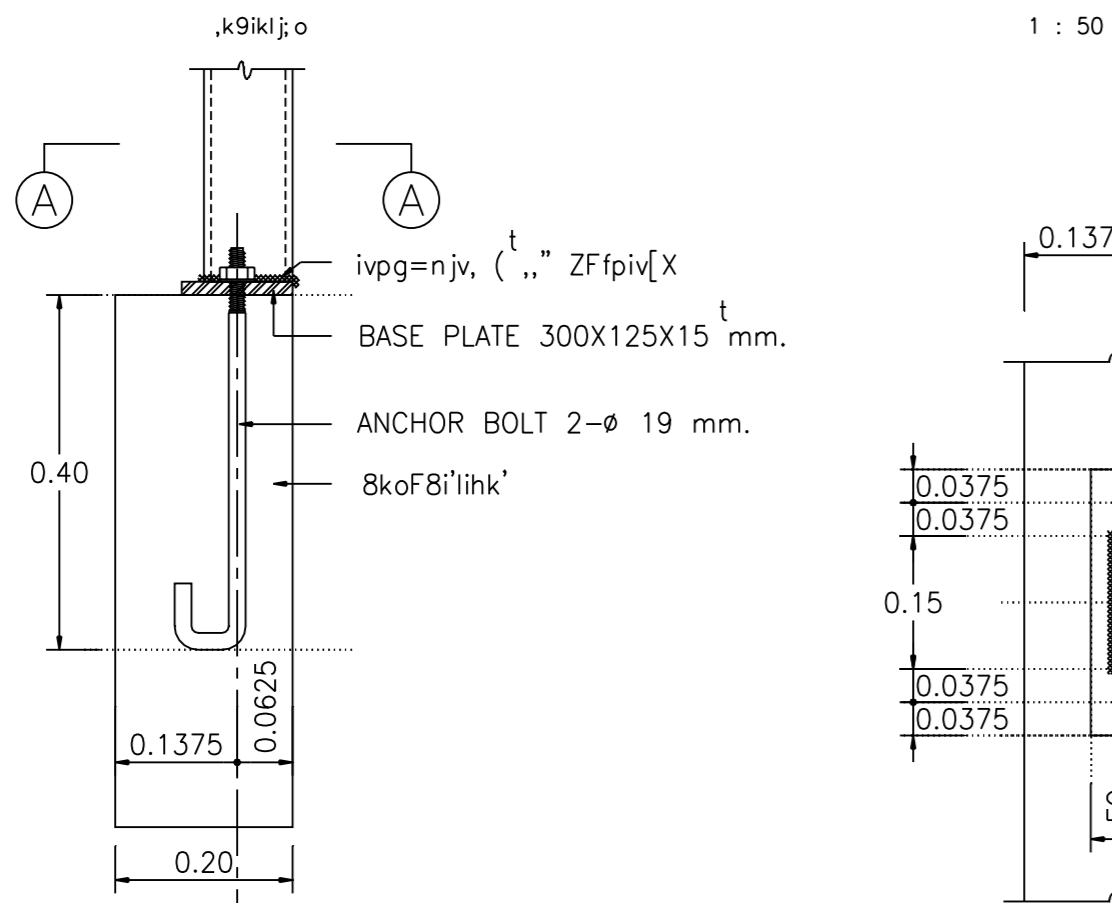
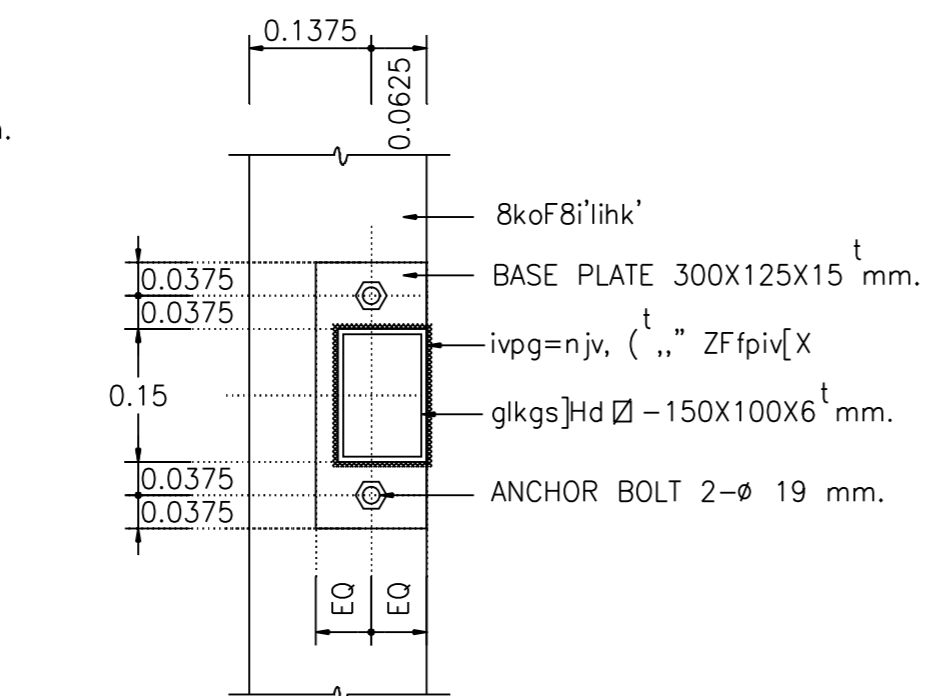


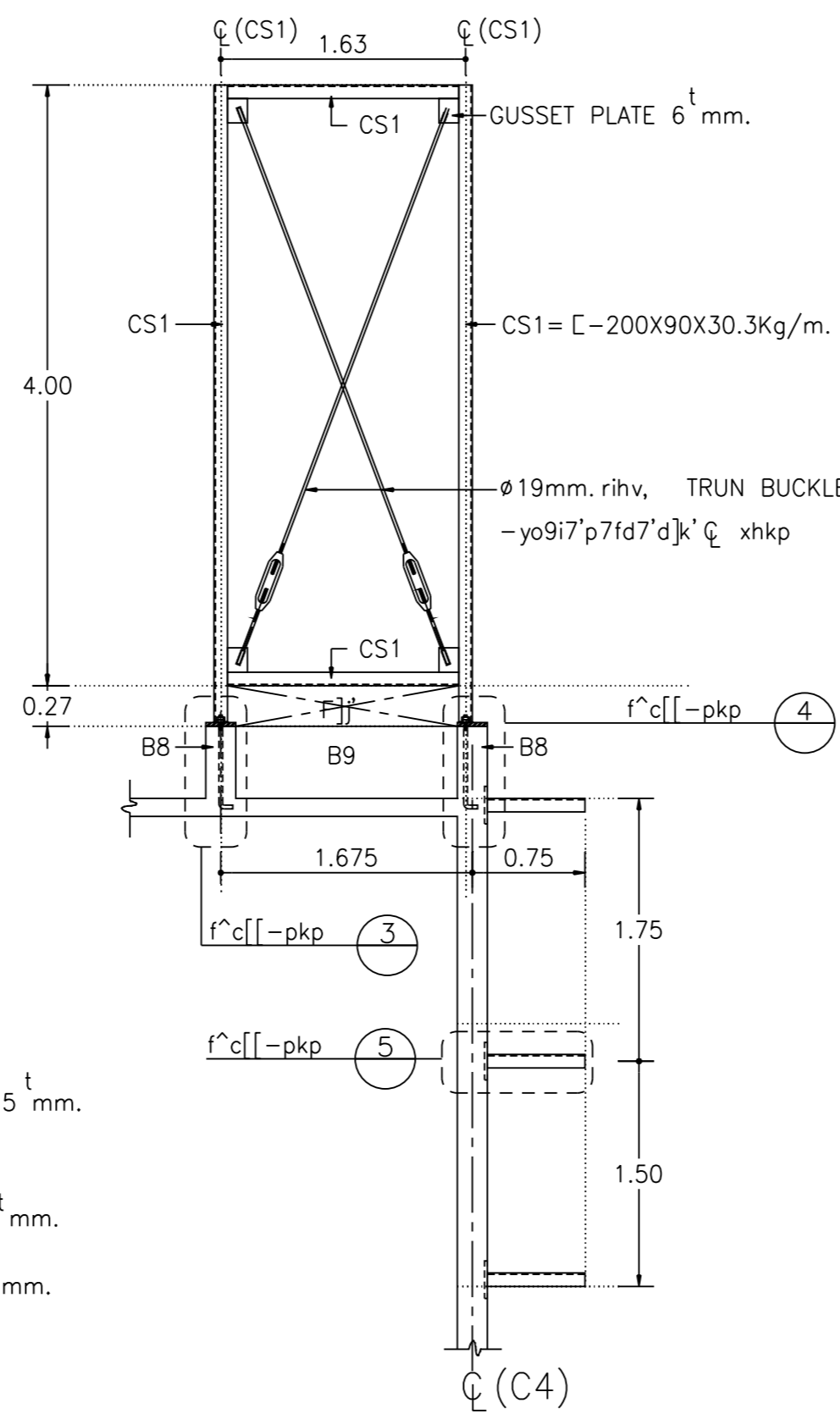
c[-pkpF8i'lihk'iy[s]y'8k



c[-pkp 1 1:10

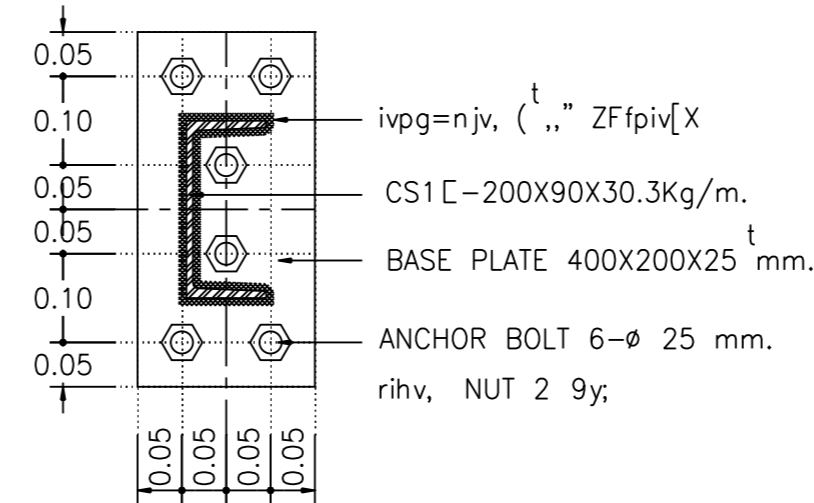


c[-pkpi^x9yf A 1:10

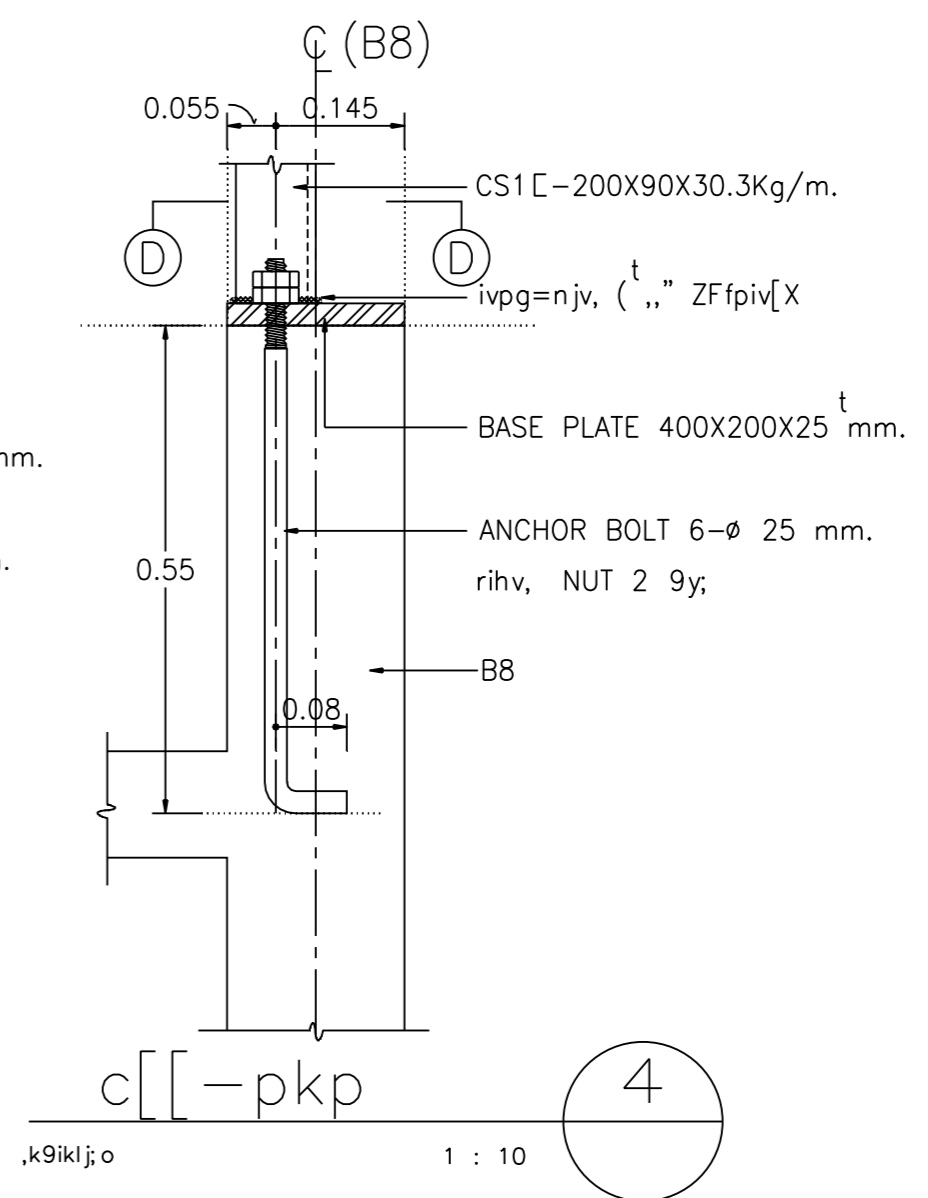


F8i'gs]Hdxhkppvfvk8ki

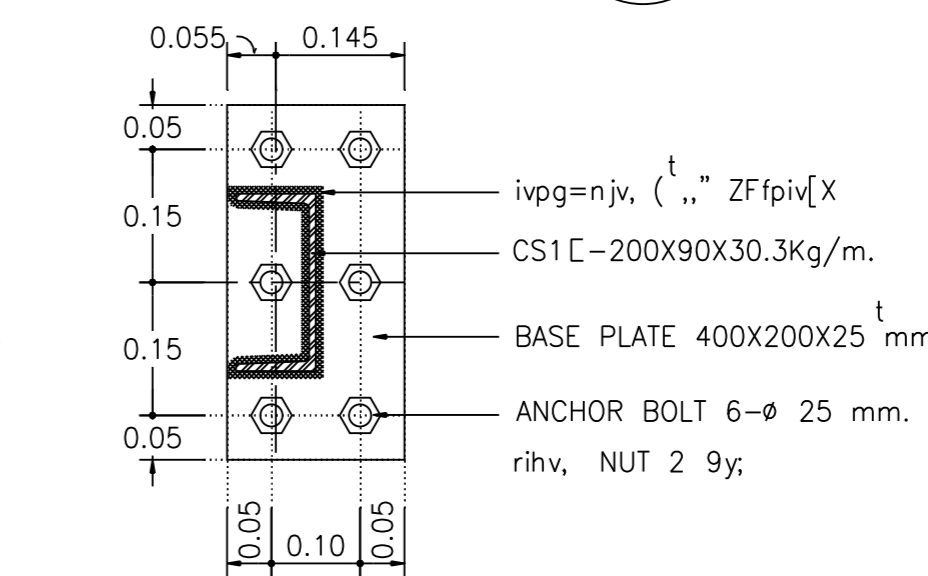
c[-pkp 3 1:10



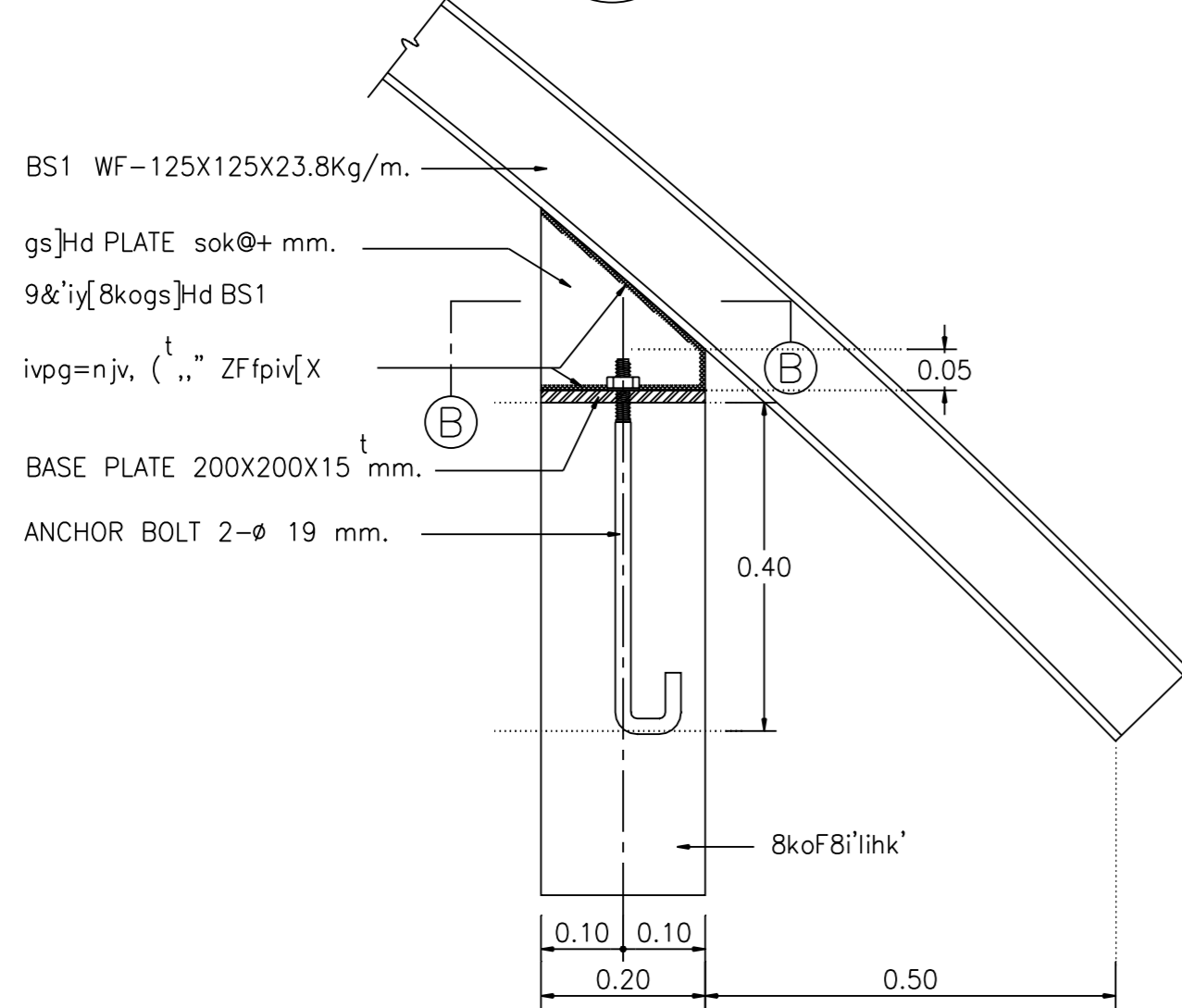
c[-pkpi^x9yf C 1:10



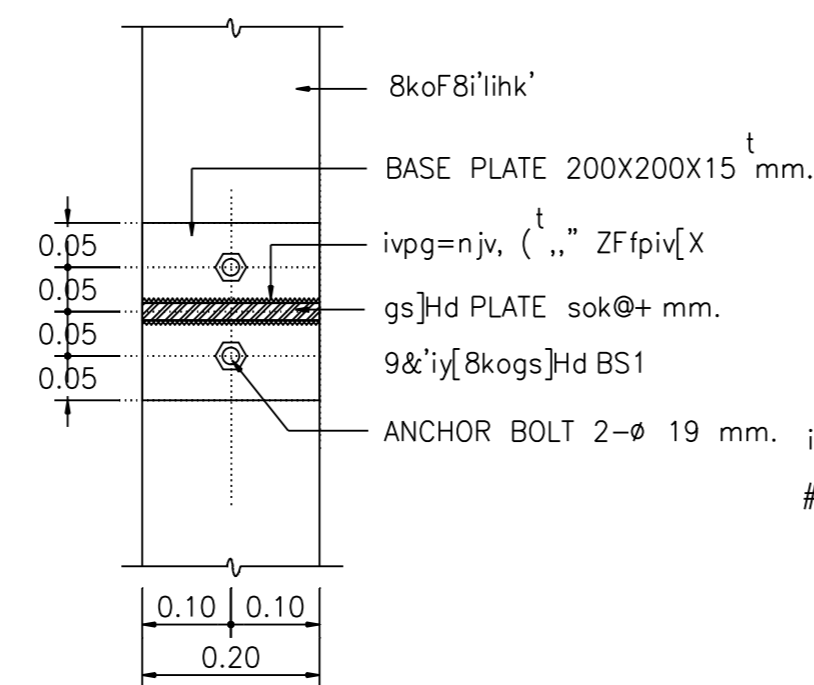
c[-pkp 4 1:10



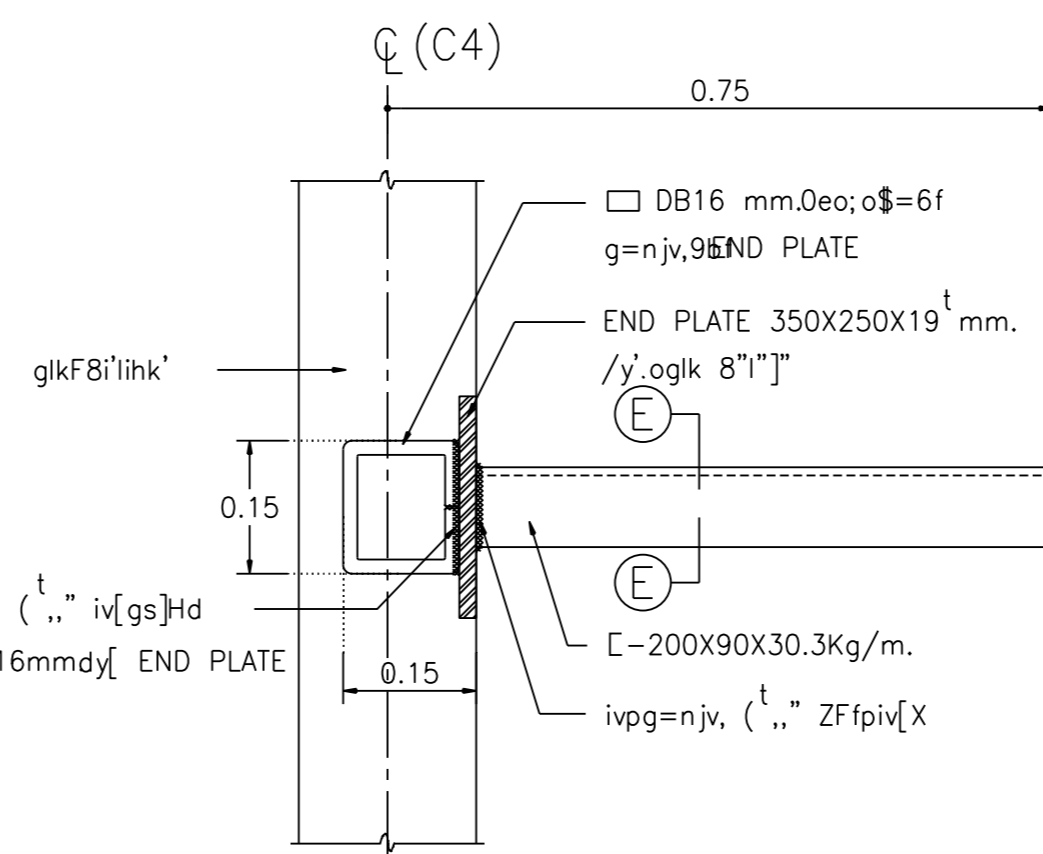
c[-pkpi^x9yf D 1:10



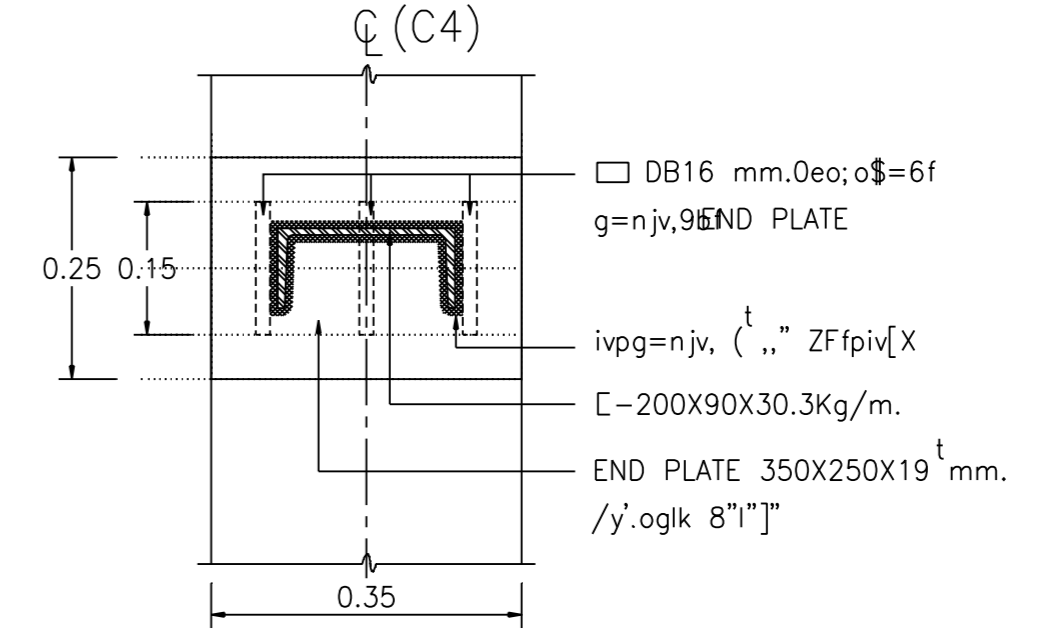
c[-pkp 2 1:10



c[-pkpi^x9yf B 1:10



c[-pkp 5 1:10



c[-pkpi^x9yf E 1:10

REVISIONS		DATE
A	c[-pkpF8i'lihk'	15/2/2000
NOTE		
• ALL DIMENSIONS ARE IN METER UNLESS OTHERWISE INDICATED		
• NO DIMENSION SHALL BE SCALED		
• ALL DRAWINGS ARE THE PROPERTY OF THE AREA CO.,LTD. AND CAN NOT BE USED REPRODUCED OR DUPLICATED WITHOUT PERMISSION		
OWNER		
Tok8kigrn jvdkgdK9i c]tsdidkigqK9i		
DESIGNER		
111/1 Lodproo23 Lodoo Chaluchok Bangkok 10900 Tel. (662) 5139533-5 Fax. (662) 5139536		
15kxobd		
v]dlin 9ik=^	15°00'00"	
:yo=yp [6P;ib=pN	15°00'00"	
ri=yp ob9;iklik	15°00'00"	
:b]j]m g0bP;ik;6cb	15°00'00"	
ASSISTANT ARCHITECT		
gdup'wdi clo6;LN		
:bl; dif8i'lihk'		
:kot 0i^P^KNlydbN	ip^%0#	
v]dlin 9ik=^	ip^%0#	
foyp i; k'FC,	ip^%0#	
:bl; dil6-k4b[k]		
l64ymi ;ktb=pNd6]	lad^0#	
Lbib=yp 0yo9iud6]	x; i"	
:bl; diwaahk		
[i0' g0bPob0r^]z]	:od^0#	
=yp; ycoN :nj9i'	4od^%0%	
:bl; dig8in jv'd]		
lyj ob9bro	id^0#	
:yRokdi		
ruil69 i6; idpt; bdpN	15°00'00"	
lbtmTb=yp v6joptryd9]	15°00'00"	
DRAWN		
[tbyy]i s; y; luq]l	DATE	
CHECKED		
APPROVED		
F8i'dki		
vk8kileoyd'kolk-k		
mu]98'		
v^-]6' 0" 0yom[6iu		
c[-pkpF8i'lihk'		
F8i'gs]Hdiy[s]y'8k c]t		
F8i'gs]Hdxhkppvfvk8ki		
FILE NO	DRAWING NO	
9911	S-17	
DATE	15 / 2 / 2000	
SUB TOTAL	GRAND TOTAL	

