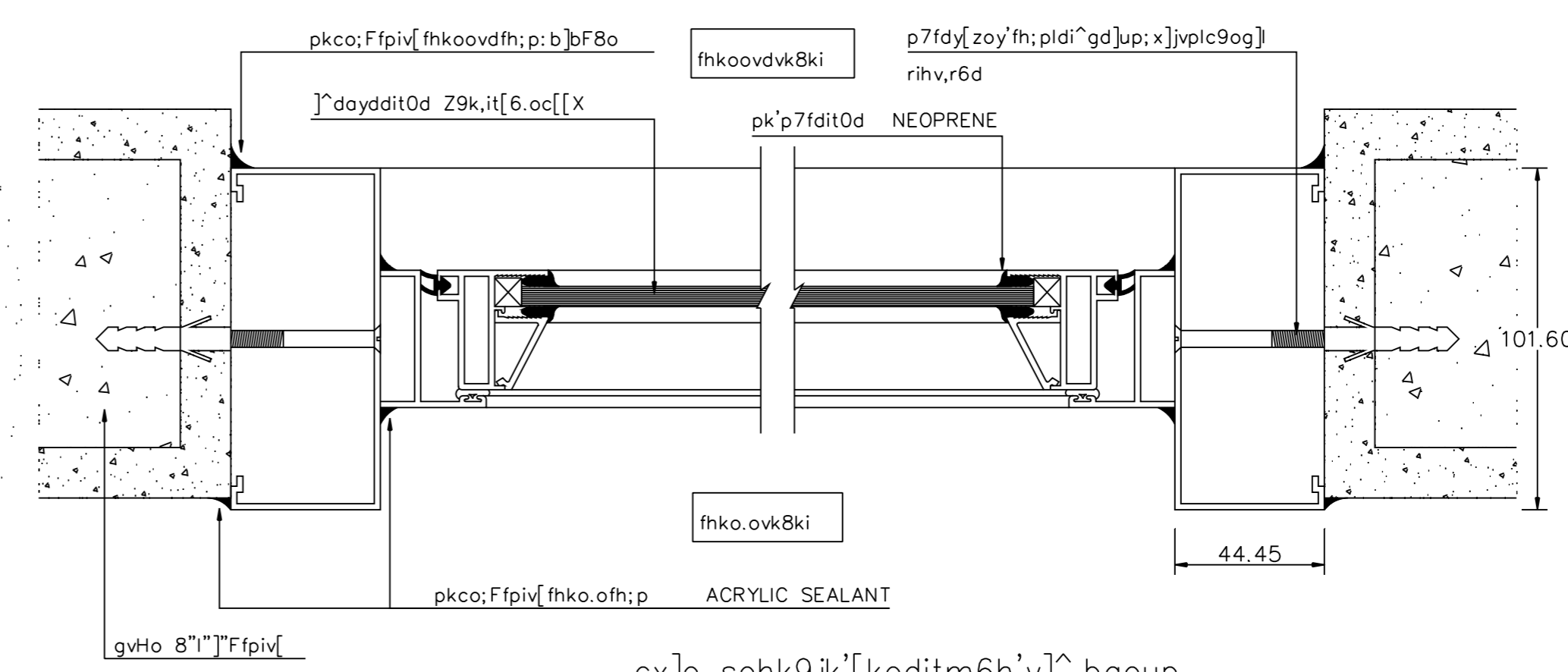
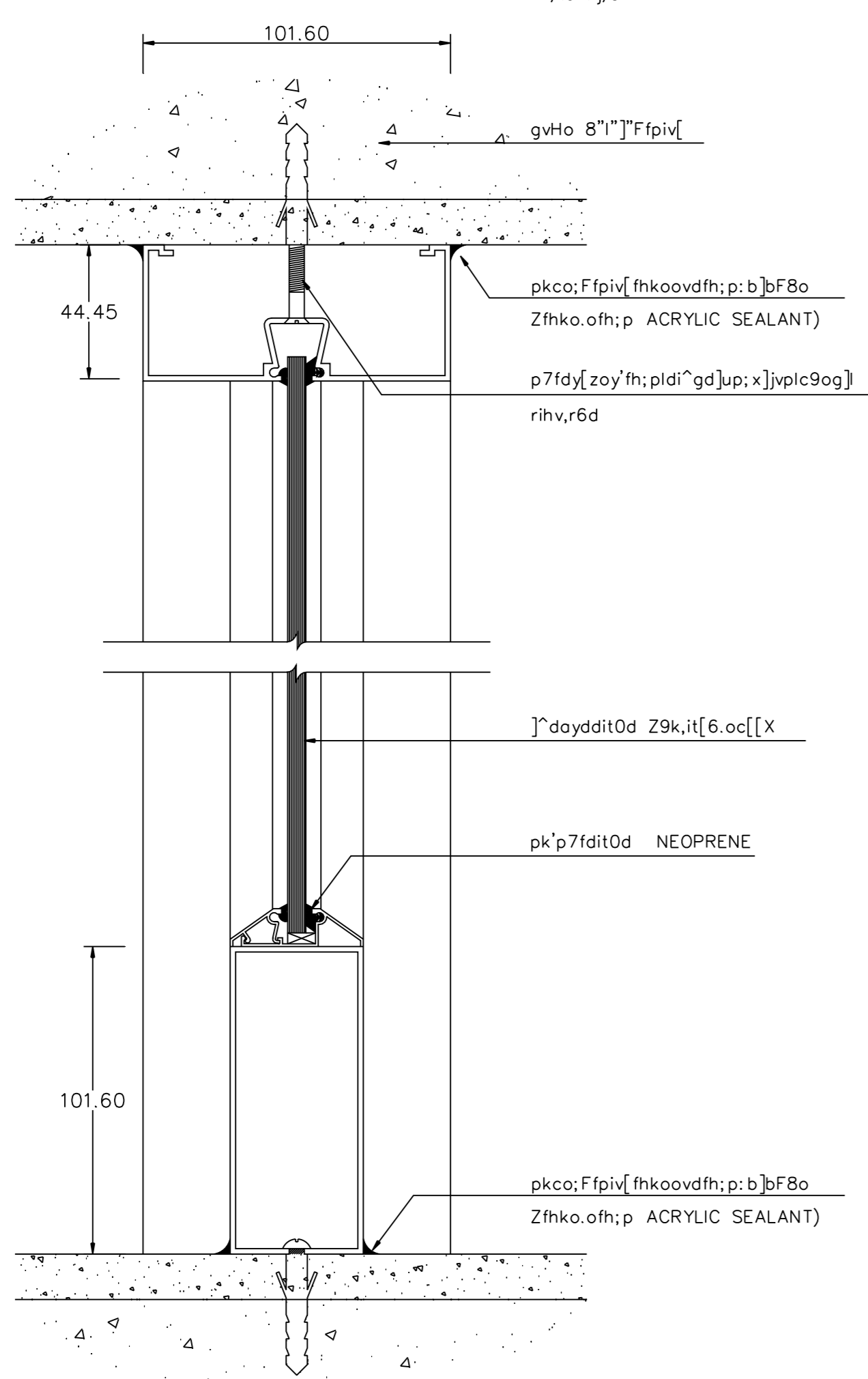


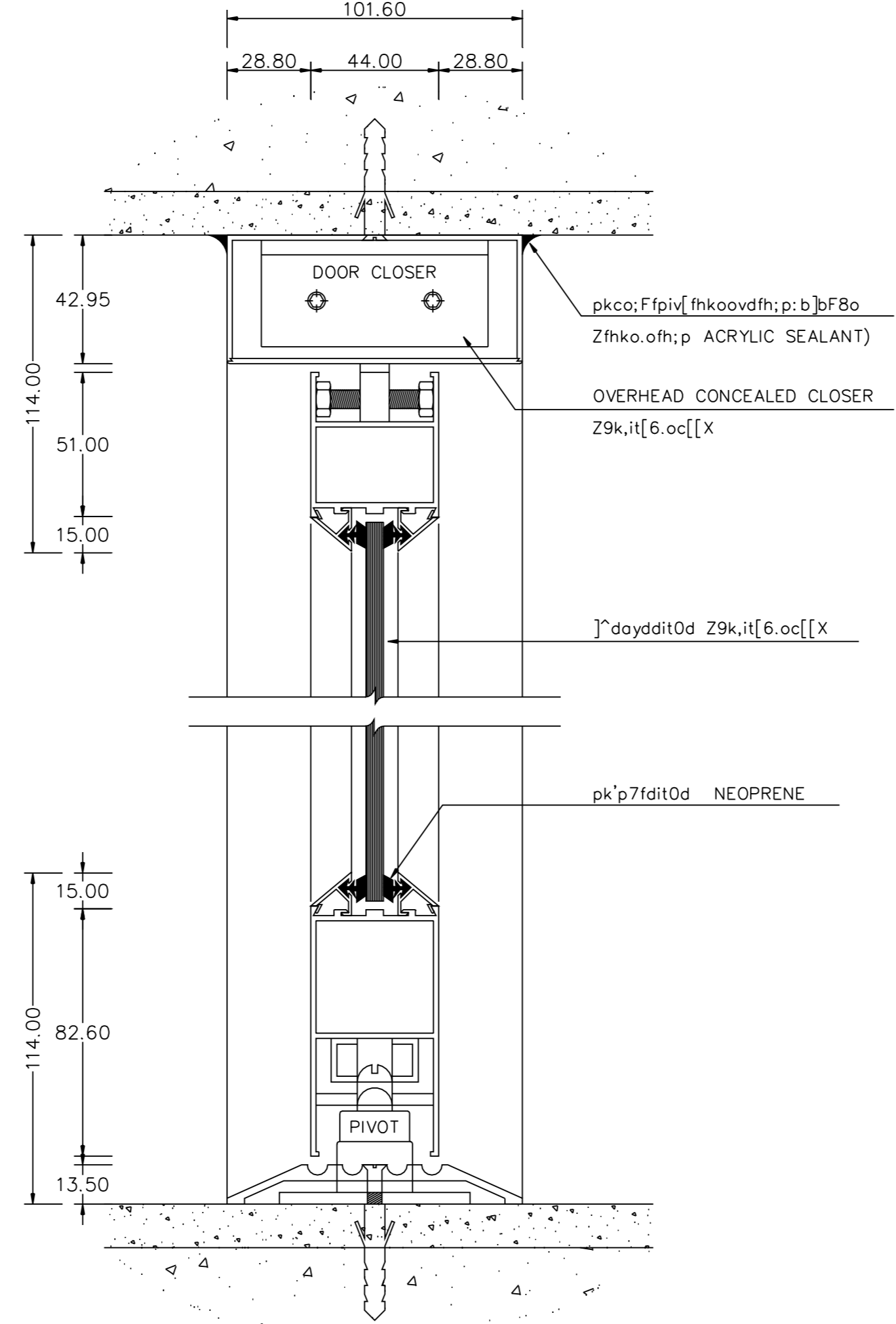
cx]o[koxit9^v]^,bgoup,
.k9ikl;jo 1 : 2



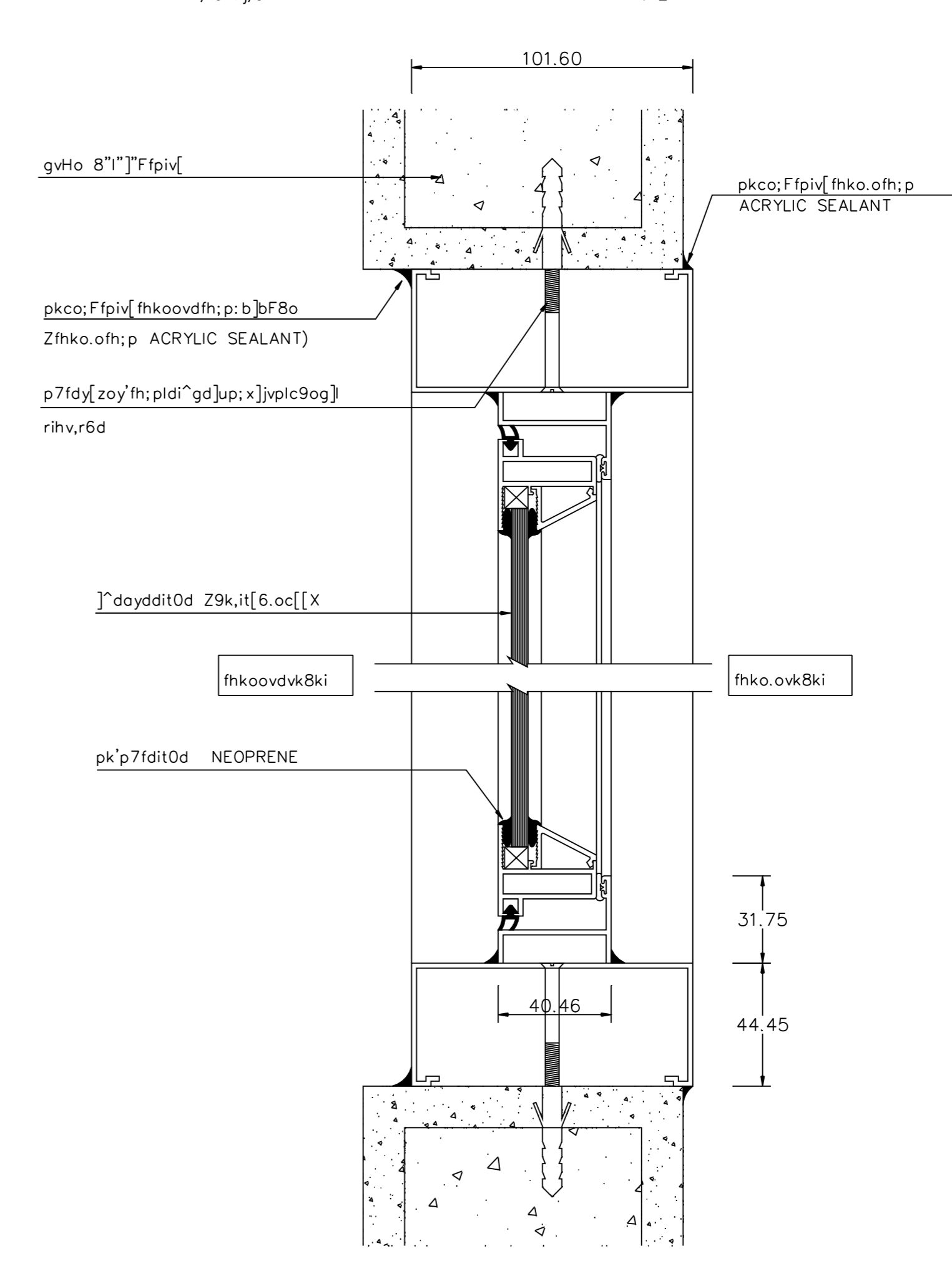
cx]o sohk9jk'[koditm6h^v]^,bgoup,
.k9ikl;jo 1 : 2



i^x9yf[koxit9^v]^,bgoup,Zfhko9b9kpX
.k9ikl;jo 1 : 2



i^x9yf[koxit9^v]^,bgoup,Zfhkoxit9^X
.k9ikl;jo 1 : 2



i^x9yfsok9jk'[koditm6h^v]^,bgoup,
.k9ikl;jo 1 : 2

REVISIONS		DATE
A	c[[d]virk'	15/02/2000

NOTE
 • ALL DIMENSIONS ARE IN METER UNLESS OTHERWISE INDICATED
 • NO DIMENSION SHALL BE SCALED
 • ALL DRAWINGS ARE THE PROPERTY OF THE AREA CO.,LTD. AND CAN NOT BE USED REPRODUCED OR DUPLICATED WITHOUT PERMISSION

OWNER
 Tok8kigrjvdkigdK9i
 c]tsdildkigqk9i

DESIGNER
AREA CO.,LTD.
 111/1 Lodproo23 Lodayo Chatuchok Bangkok 10900
 Tel. (662) 5139533-5 Fax. (662) 5139536

15kxobd

v]din 9ik=^	15°00'00"
:yo=yp [6P;ib=pN	15°00'00"
ri=yp d9b;ikilki	15°00'00"
:b[']m g9b;ik;6cb	15°00'00"

ASSISTANT ARCHITECT
 gdup'widi clo6;LN

;bl; dif8i'lihk'

.kot 0°P'PKNlydBN

v]din 9ik=^

foyp i; k'FC.

;bl; dil6-k4b[k]

l64ymi ;ktb=pNd6]

Lbib=yp Oyo9iud6]

;bl; diwaahk

[iio' g9b;Pab0r^]z]

=yp; ycoN :nj9i'

;bl; dig8in jv'd]

lyj ob9bro

.yRokdi

ruil69 i6;idp;t;bdpN

lbtmTb=yp v6joptryd9i'

DRAWN

CHECKED

APPROVED

F8i'dki

vk8kileoyd'kolk-k

mu j9&'

v' -]j' 0° Oyam[6iu

c[[ctf'

c[[-pkp.k9iiko
 xit9^ 3 sohk9jk'

FILE NO	DRAWING NO
9911	A - 13
DATE	
15 / 02 / 2000	
SUB TOTAL	GRAND TOTAL

