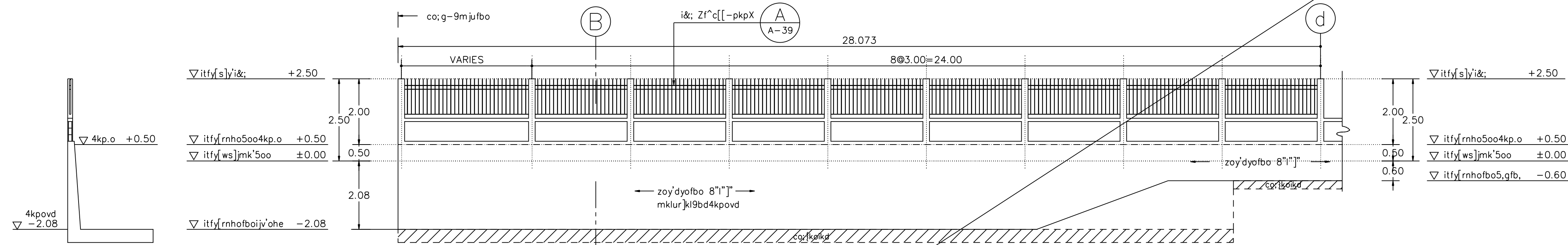


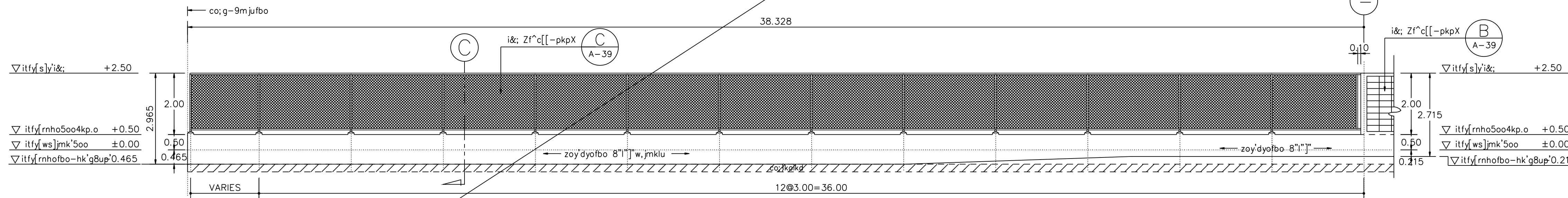
i^x9yf A
SCALE 1 : 100

i^xfhkoi&; 1
SCALE 1 : 100



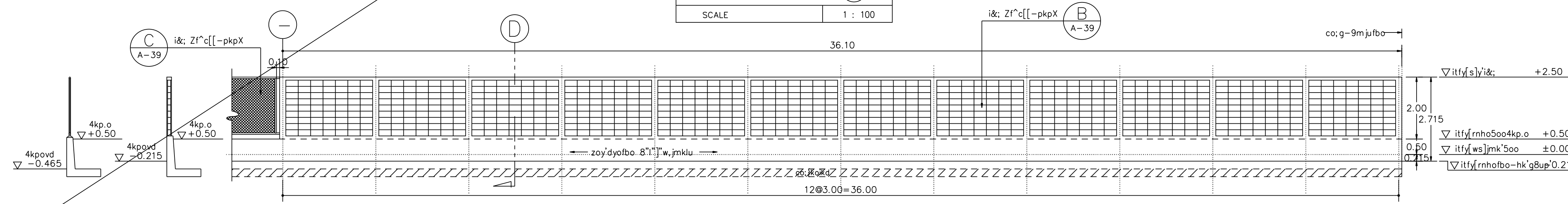
i^x9yf B
SCALE 1 : 100

i^xfhkoi&; 1
SCALE 1 : 100



i^x9yf C
SCALE 1 : 100

i^xfhkoi&; 2
SCALE 1 : 100



i^x9yf C
SCALE 1 : 100

i^x9yf D
SCALE 1 : 100

i^xfhkoi&; 2
SCALE 1 : 100

| REVISIONS | | DATE |
|-----------|-----------|------------|
| A | c[djvnhk' | 15/02/2000 |

NOTE
 • ALL DIMENSIONS ARE IN METER UNLESS OTHERWISE INDICATED
 • NO DIMENSION SHALL BE SCALED
 • ALL DRAWINGS ARE THE PROPERTY OF THE AREA CO.,LTD. AND CAN NOT BE USED REPRODUCED OR DUPLICATED WITHOUT PERMISSION

OWNER
 Tok8kigrn jvdkgidK9i
 c]tsdildkigqK9i

DESIGNER
AREA CO.,LTD.
 111/1 Lodproo23 Lodayo Chaturach Bangkok 10900
 Tel. (662) 5139533-5 Fax. (662) 5139536

15kxobd
 v]din 9ik=^ 15°00'00"
 :yo=yp [6P;ib=pN 15°00'00"
 ri=yp d9b;ik;ik;ik 15°00'00"
 :b]n g9b;ik;ik;ik 15°00'00"

ASSISTANT ARCHITECT
 gduw'adi cloi6;LN

;bl; dif8i'lihk'
 .kot 0^P^KXNlydbN ip^00#5
 v]din 9ik=^ ip^00#5
 foyp i;K^FC. ip^00#5

;bl; dil6-k4b[k]
 i64ymi ;ktb=pN06 lod^0#%
 Lbib=yp Oyo9iud6] x;!"

;bl; diwaahk
 [iio' g9b;ik;ik;ik] :od^0#
 =yp;yoN :nj9i' 4od^0#%

;bl; dig8in jv'd]
 ty ob9bro i^0#%\$

;yRokdi
 ruil69 i6;iidpt;bdpN 15°00'00"
 lbnTb=yp v6joptryd9N^24kp.oX

DRAWN
 [brnydi s;ylug;bl
 CHECKED

APPROVED

F8i'dki
 vk8kileoyd'kolk-k

mu j9&'
 v' iirpk 0" =ypokm

c[clif'
 i^xfhkoi&; @ } #

| | |
|--------------------|----------------------|
| FILE NO 9910 | DRAWING NO A - 37 |
| DATE 15/02/2000 | |
| SUB TOTAL | GRAND TOTAL |

