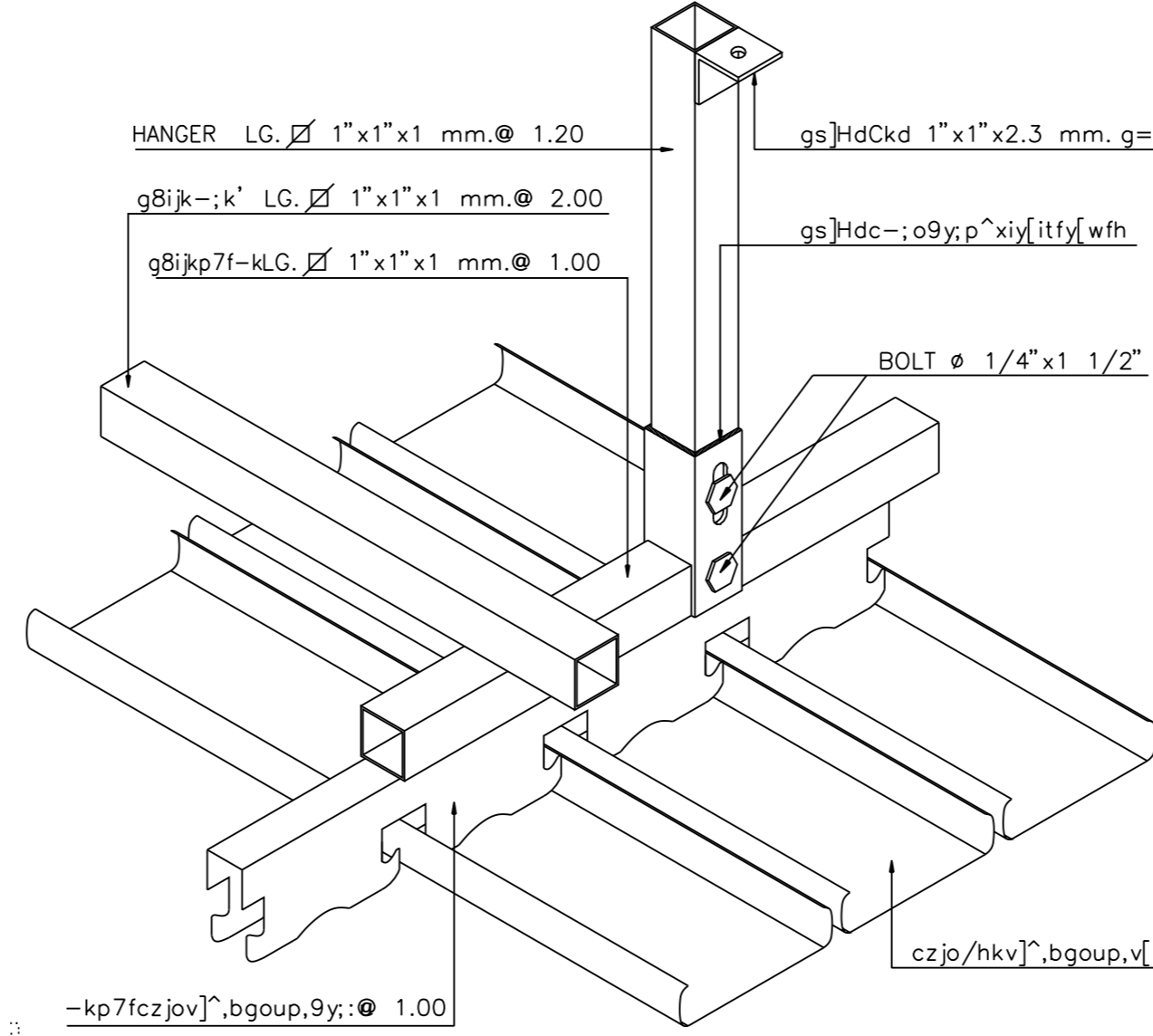
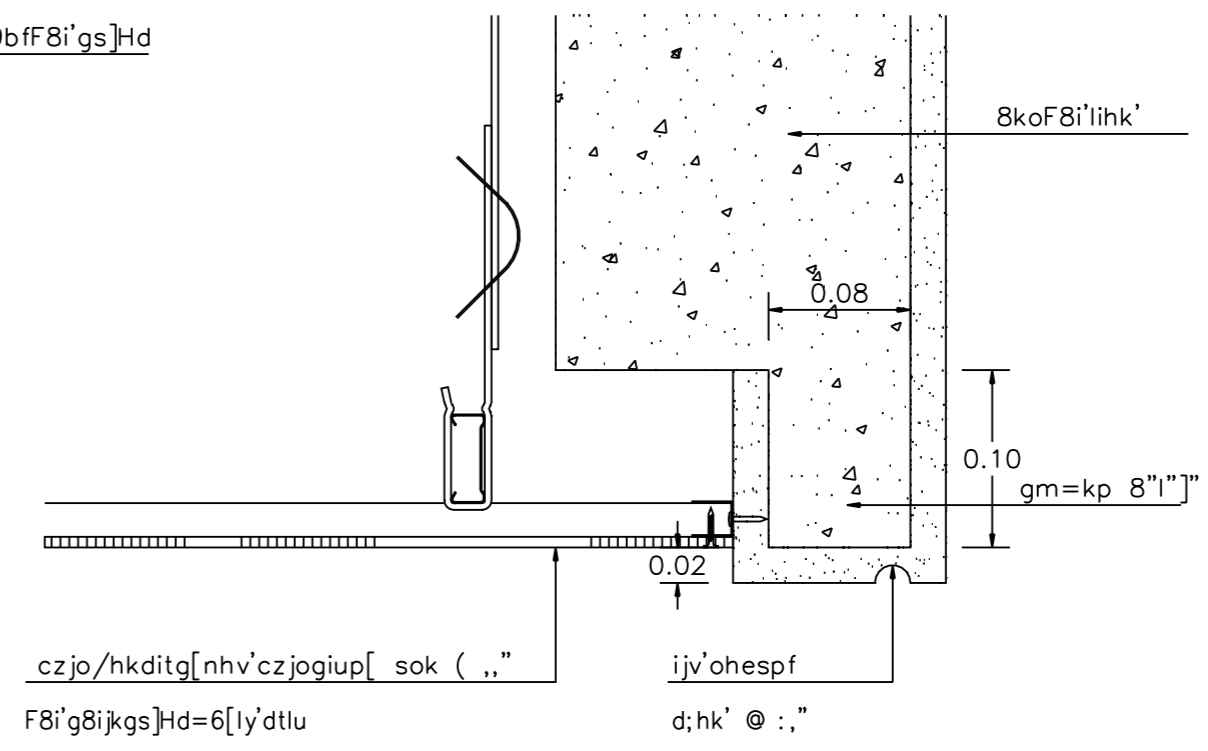


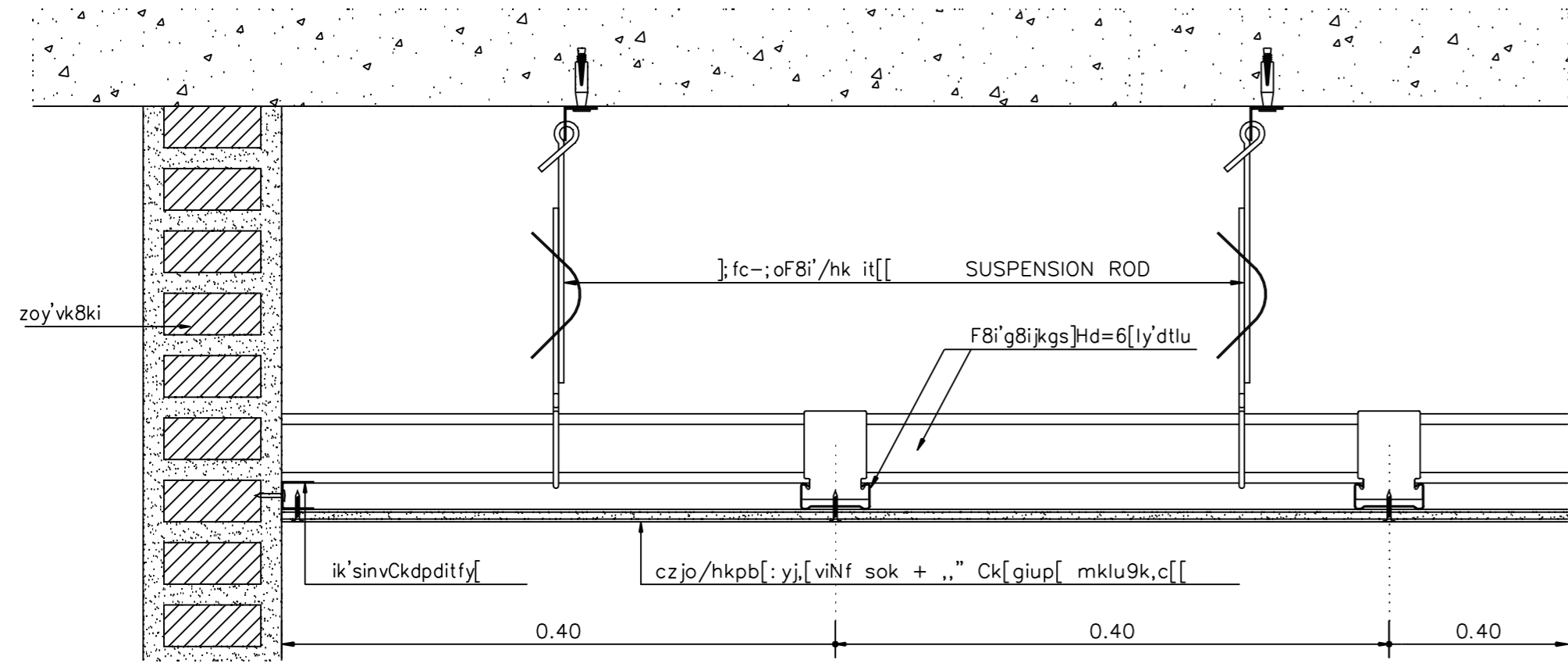
c[[-pkp/hkgrfkov]^,bgoup,g8]nv[lu
.k9ikl;o 1 : 5



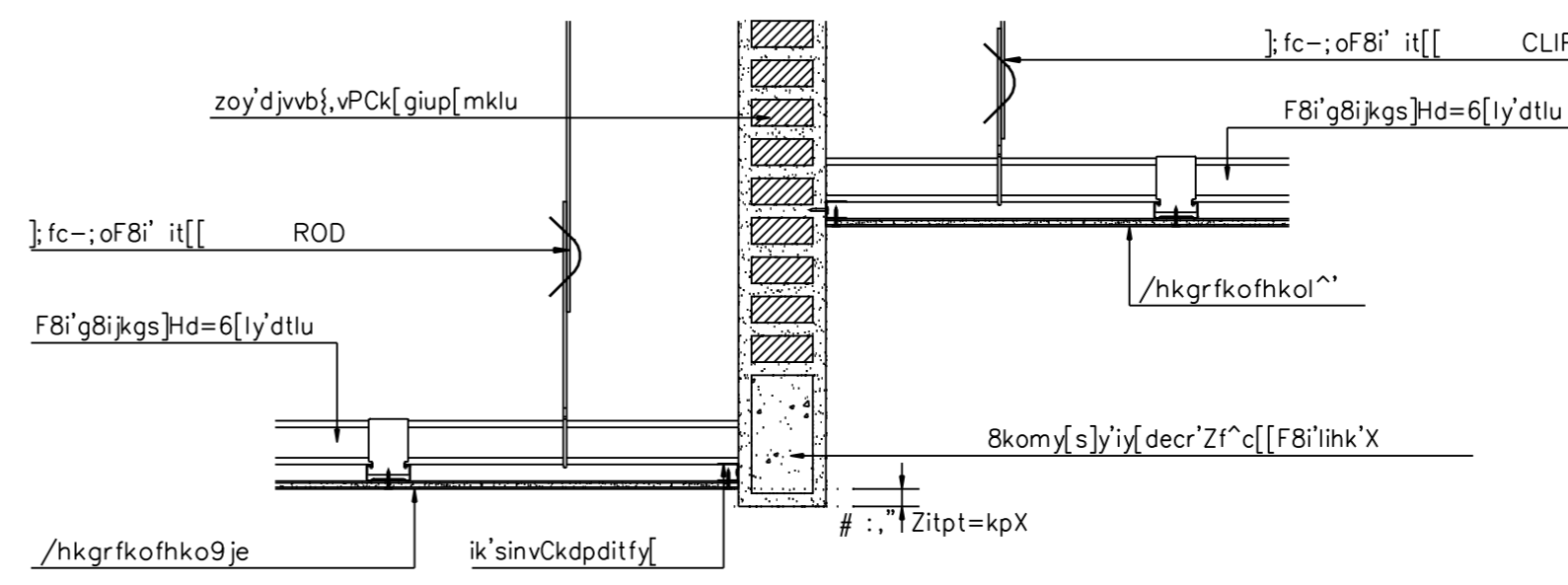
ISOMETRIC /hk v]^,bgoup,g8]nv[lu
.k9ikl;o 1 : 5



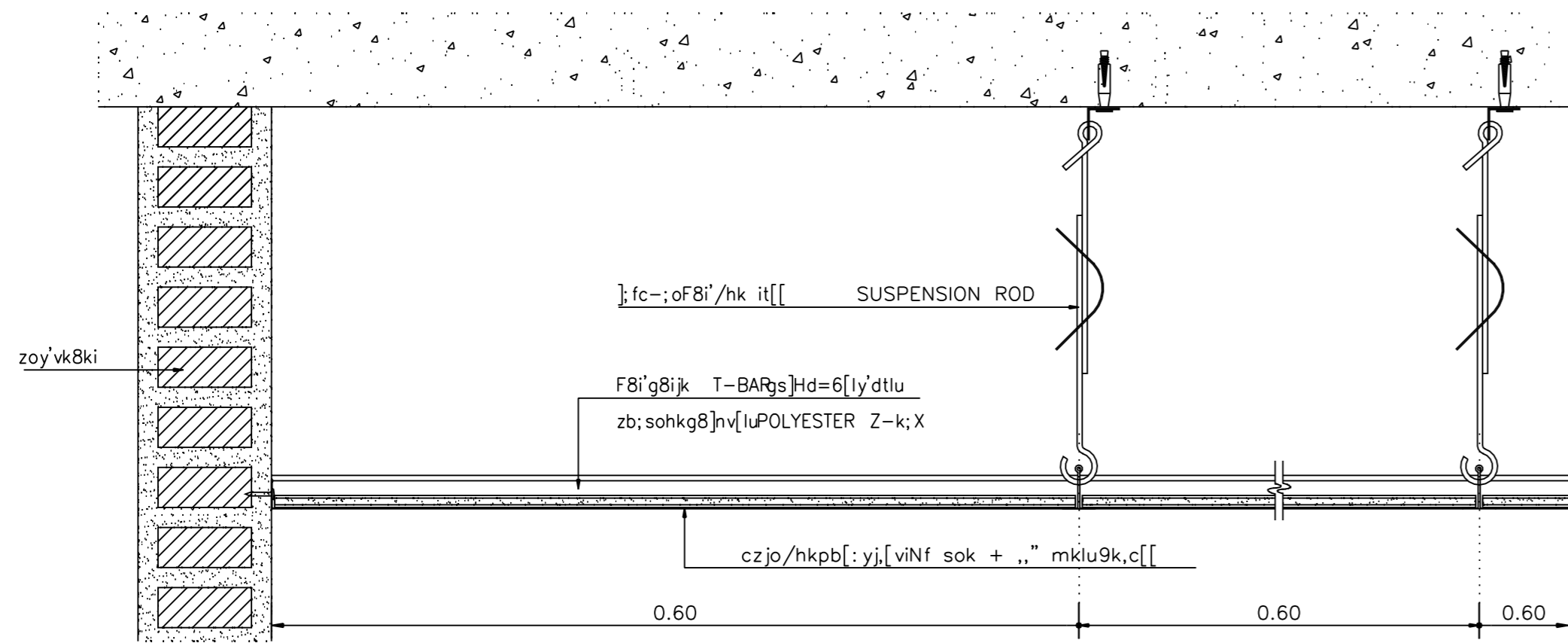
c[[-pkp-v[ovd=kp8k
.k9ikl;o 1 : 5



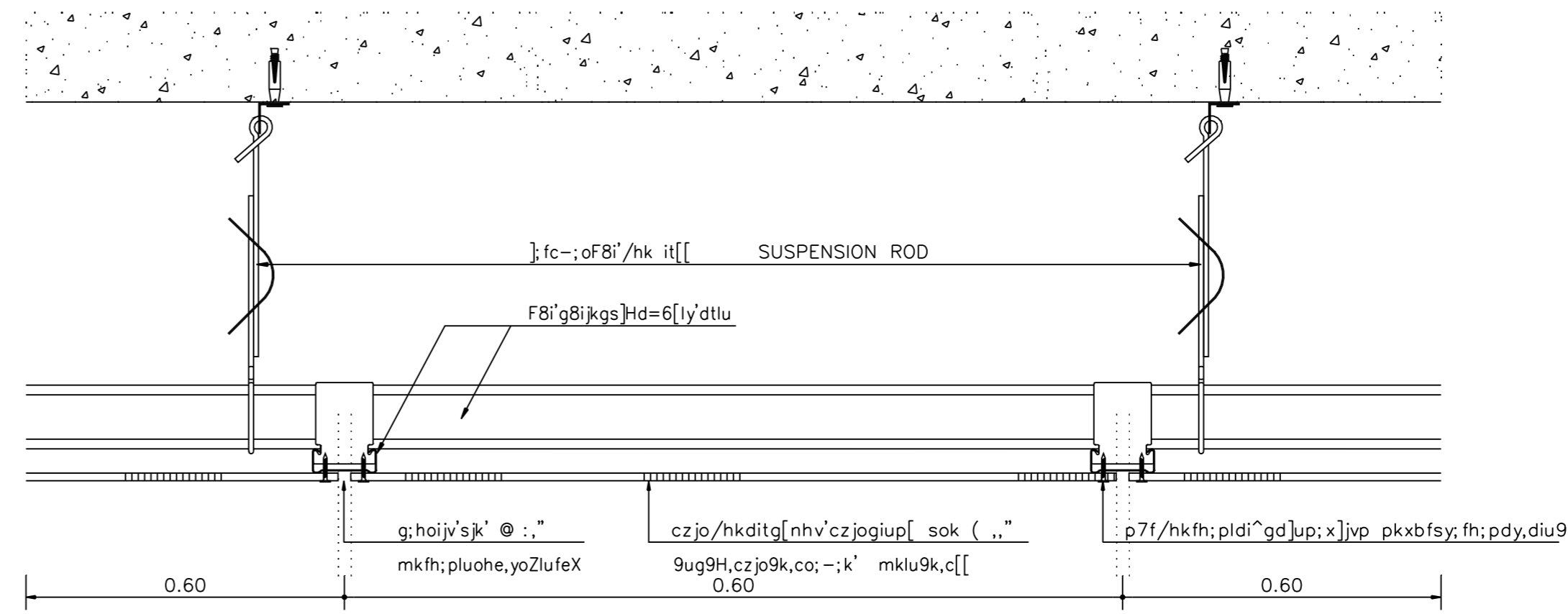
c[[-pkp/hkgrfkopb[:yj,[viNfCk[giup[
.k9ikl;o 1 : 5



i^x9yf-pkp=kpdecr'xbf/hk9j'k'itfy[
.k9ikl;o 1 : 10



c[[-pkp/hkgrfkopb[:yj,[viNf g8i'jk T-BAR
.k9ikl;o 1 : 5



c[[-pkp/hkgrfko=kp8kditg[nhv'czjogiup[
.k9ikl;o 1 : 5

REVISIONS	DATE
A c[[-djvink'	15/02/2000

NOTE
 • ALL DIMENSIONS ARE IN METER UNLESS OTHERWISE INDICATED
 • NO DIMENSION SHALL BE SCALED
 • ALL DRAWINGS ARE THE PROPERTY OF THE AREA CO.,LTD. AND CAN NOT BE USED REPRODUCED OR DUPLICATED WITHOUT PERMISSION

OWNER
 Tok8kigrn jvdkgidK9i
 c]tsdidkigqK9i

DESIGNER
AREA AREA CO.,LTD.
 111/1 Lodprao23 Lodoo Chaluchok Bangkok 10900
 Tel. (662) 5139533-5 Fax. (662) 5139536

ASSISTANT ARCHITECT
 gdiup'wdi clai6;LN

;bl; diF8i'link'

;kot 0i^P^XNlydBN Ip^%0#8

v]diN 9ik=^ Ip^%0#8

foyp i;K^FC. Ip^%8^_

;bl; diI6-k4b[k]

I64ymi ;ktb-pNd6] lod^%0%_

Lbib=yp 0y8iud6] x;I'

;bl; diwaahk

[i0' g0bP000^]z] :od^%0#

=yp;yoN :nj9i' 4od^%0%_

;bl; dig8in jv'd]

ly' ob9bro I0^%0%_ \$

iyRokdi

ruI69 I6;idpt;bdpN 15^%#04

IbmTb=yp v6joptry09I^24kp.oX

DRAWN DATE

[tby9i s;ylug]L

CHECKED

APPROVED

F8i'dki

vk8kileoyd'kolk-k

mu j9&'

v' sov'sko 0^ v6fitkou

c[[-clf'

c[[-pkp/hkgrfko

FILE NO	DRAWING NO
9909	A - 27
DATE	
15 / 02 / 2000	
SUB TOTAL	GRAND TOTAL

