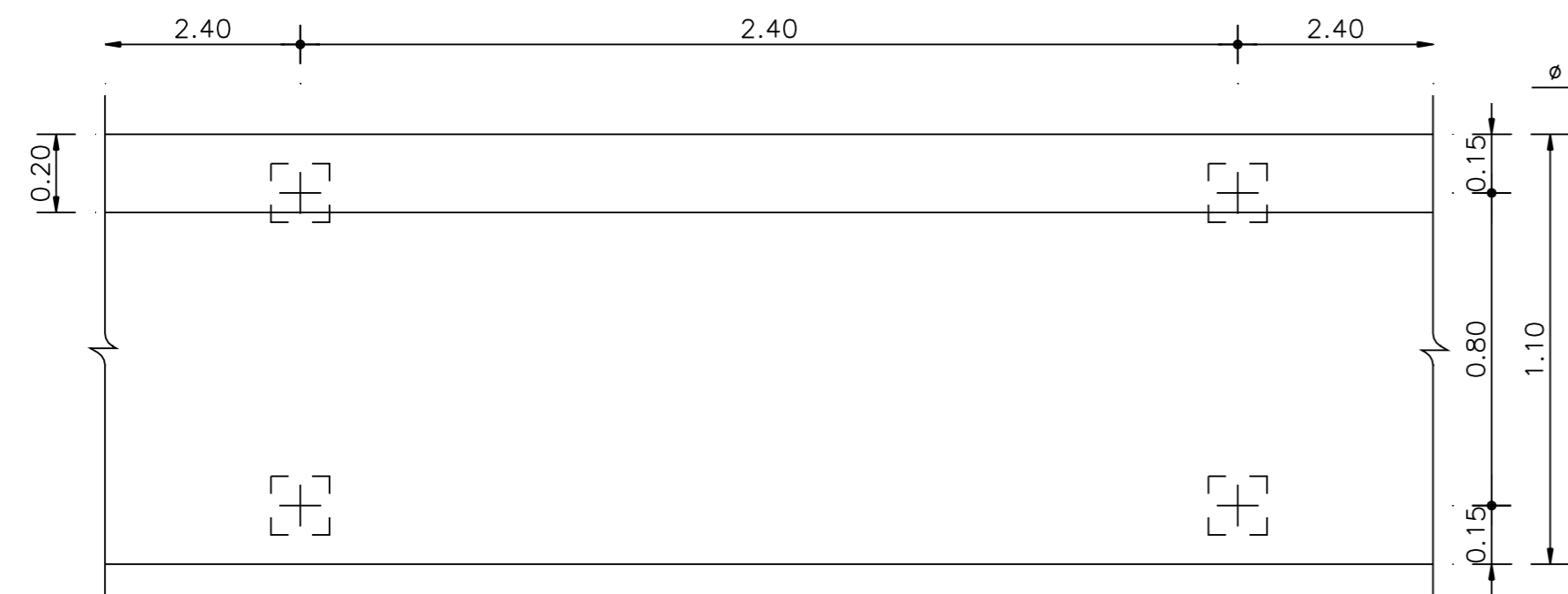
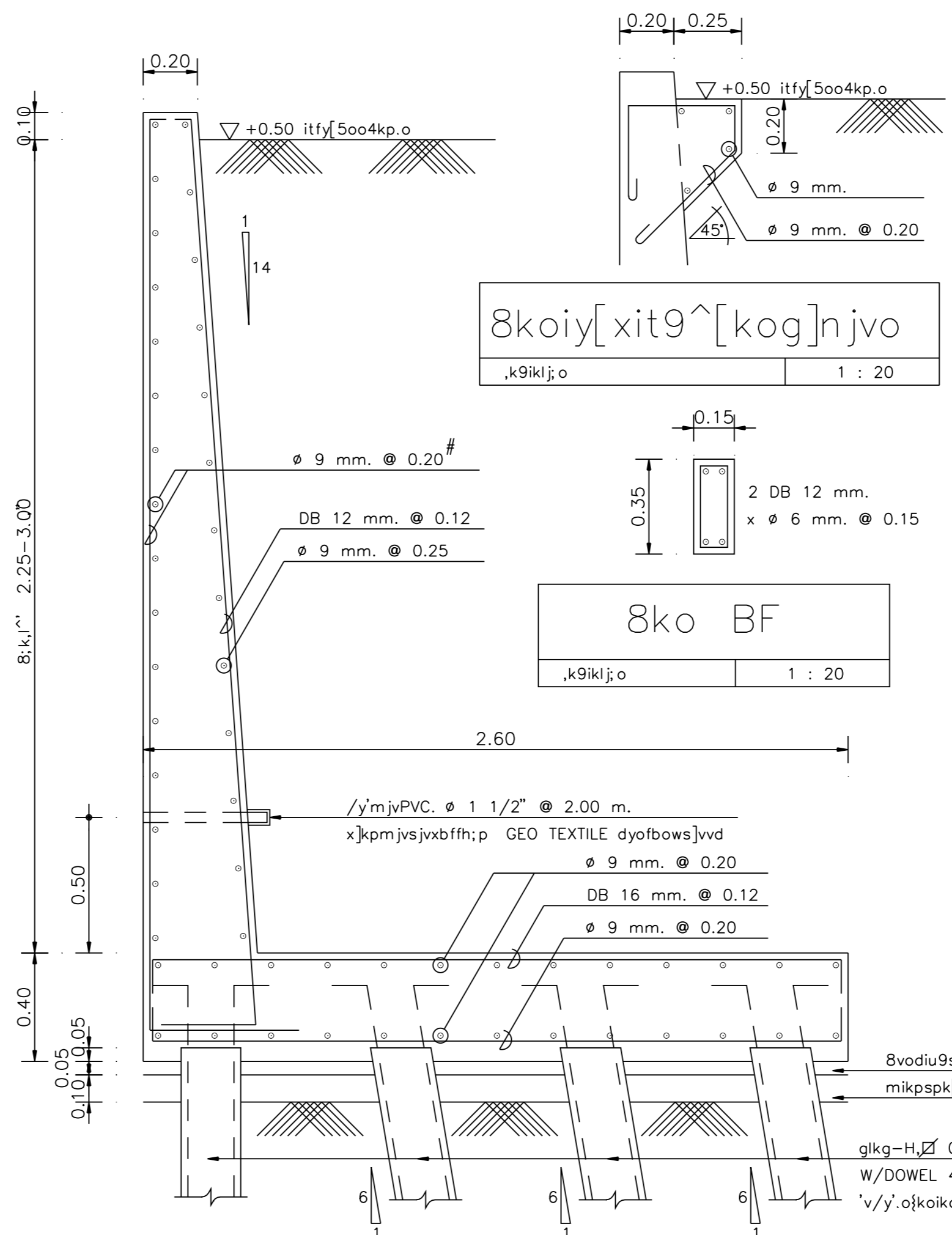


cx]o-pkp{koikddecr'dyofbo l^' #'#\$3\$'QQ ,,'
1 : 20



cx]o-pkp{koikddecr'dyofbo l^'w,jgdbo @'#\$,,'
1 : 20

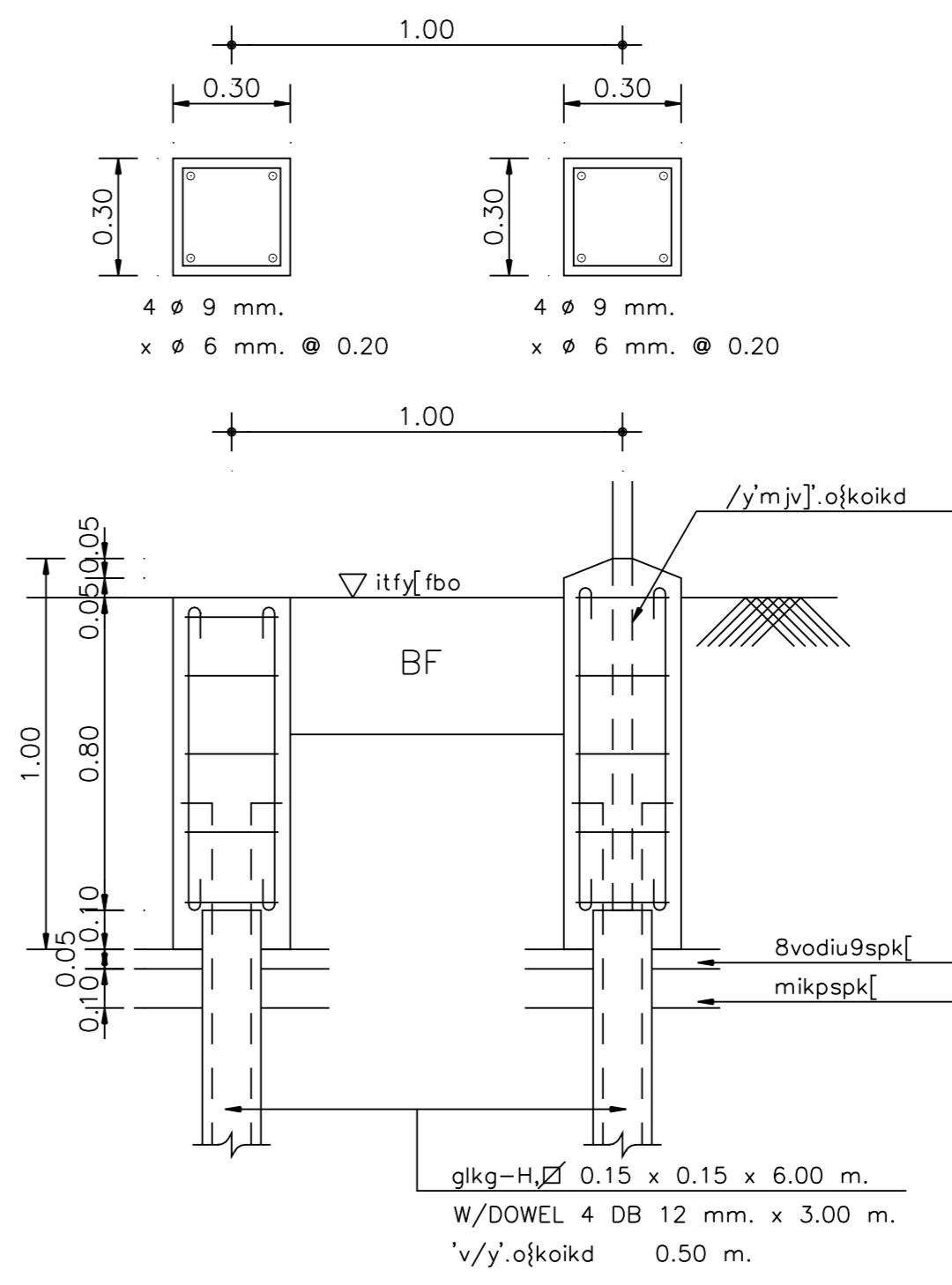
c[[-pkp{koikddecr'dyofbo
1 : 20



8koiy[xit9^[kog]n jvo
1 : 20

8ko BF
1 : 20

c[[-pkp{koikddecr'dyofbo
1 : 20



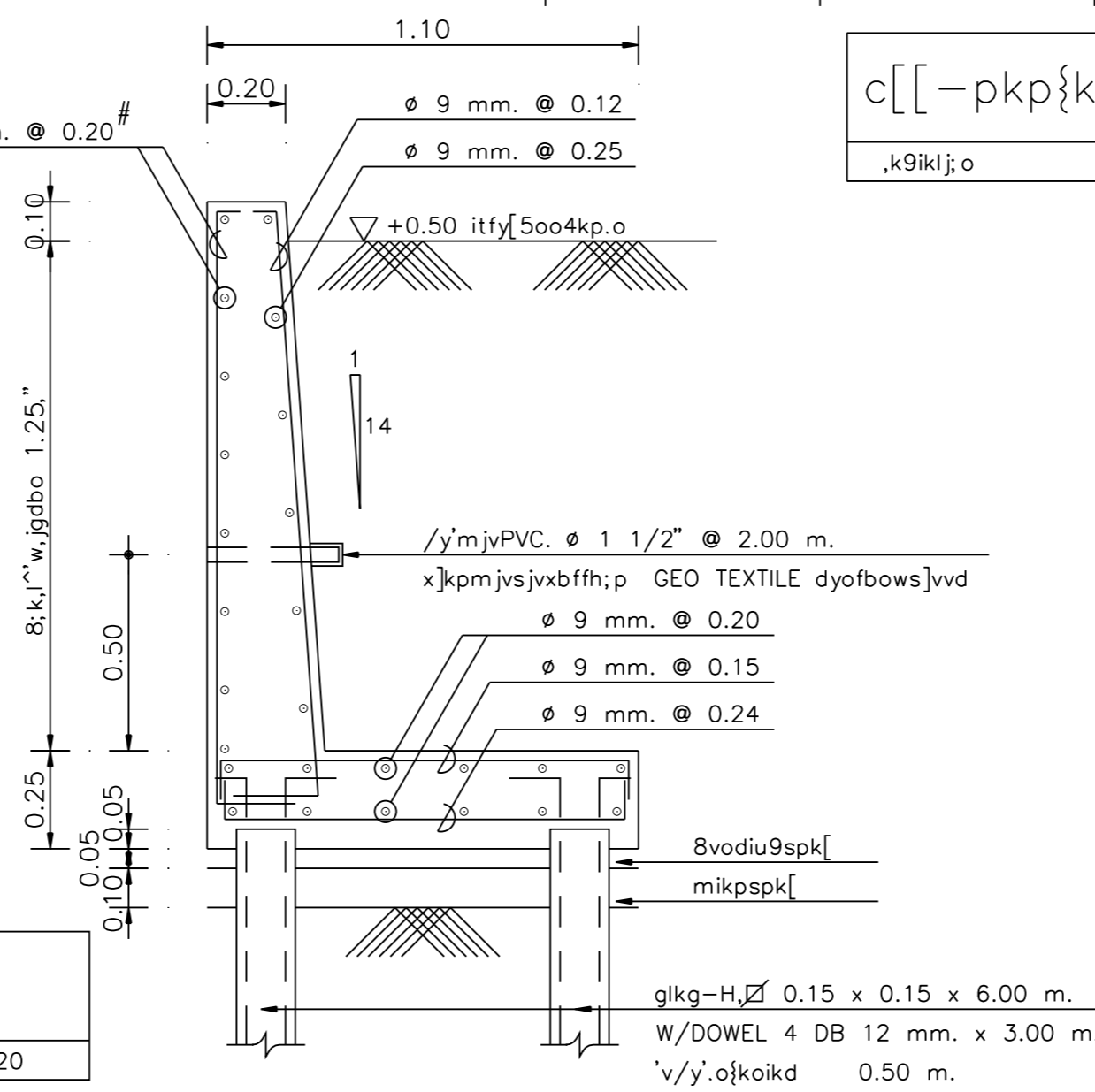
{koikdi&; }f9k-jkp
1 : 20

4 x 9 mm. @ 0.15
1 : 20

gkxi&; 8"l"'''
1 : 20

2 x 9 mm. @ 0.15
1 : 20

4 DB 12 mm. x 6 mm. @ 0.15
1 : 20



my[s]y' 8"l"'''
1 : 20

gkxixit9^[kog]n jvo
1 : 20

REVISIONS	DATE
A c[[-pkp{koikddecr'dyofbo	15/02/2000

NOTE
 • ALL DIMENSIONS ARE IN METER UNLESS OTHERWISE INDICATED
 • NO DIMENSION SHALL BE SCALED
 • ALL DRAWINGS ARE THE PROPERTY OF THE AREA CO.,LTD. AND CAN NOT BE USED REPRODUCED OR DUPLICATED WITHOUT PERMISSION

OWNER
 Tok8kign jvdkgidK9i
 c]tsididkigqk9i

DESIGNER
AREA CO.,LTD.
 111/1 Lodproo23 Ladoo Chutuchok Bangkok 10900
 Tel. (662) 5139533-5 Fax. (662) 5139536

15kxobd
 v]din 9ik=^ 15"00#
 :yo=yp [6P;ib=pN 15"0#4
 rie=yp d9b;ikilki 15"7#4
 :b]j^N g0bP;ik;6cb 15"00#

ASSISTANT ARCHITECT
 gduw'edi clo6;LN

;bl; dif8i'lihk'
 .kot 0i^Pr^kNlydbN ip^2#
 v]din 9ik=^ ip^3#
 foyp i; k^FC. ip^3#

;bl; dil6-k4b[k]
 i64ymi ;kb=pNd6] lad^0#
 Lbib=yp Oyo9iud6] x;''

;bl; diwaahk
 [i0' g0bP;ad0r']z] :od^0#
 =yp; ycoN :nj9i' 4od^50%

;bl; dig8in jv'd
 iy' ob9bro id^0# \$

iyRokdi
 ruil69 i6;idpt;bdpN 15"7#04
 lbtmT=yp v6joptryd9[24kp.o x

DRAWN [tby9i s;yl;ug]l DATE
 CHECKED

APPROVED

F8i'dki
 vk8kileoyd'kolk-k

muj9&'
 v" sov'sko 0" v6fiTkou

c[[-pkp{koikddecr'dyofbo
 c[[-pkp{koikddecr'dyofbo

FILE NO	DRAWING NO
9909	S - 21
DATE 15 / 02 / 2000	
SUB TOTAL	GRAND TOTAL

