

Tok8kigrn jvdkgk9ic JnsdiNdkigdK9i

กองบริหารอาคารสำนักงาน

cx[[
djvlihk'vk8ki lo''
lk-k ,k9i{ko # =yho
Z[yowf: hkpX

15kxobd
okp:b[~]n g0bP;ik;6cb 15"000#"
okpLiu;yc0N ris;16;iii 15"5"4

.yIRokdi
okplbmTb=yp v6joptryoTN 15"Z4kp.oX
ok'kvi;ypN d6ptTiri9 U["

.bL; dIFpTk
okply,ryoTN -6mikoomNp* 6270
okpbookm mv',k ip" 4933

.bL; diwaahk
okp=yp;yc0N :njv9i' 4ad"5414
okpoyom'r]d]h'k 4ad" 4998
okpplibLbib ohvp;bjyp 4ad"14080

16-k4b[k]
okpvi,k;F0oN v699,txikdi,
okp=bf=yp =y=:k]pNxiu=k

g-upoc[[

9i;0c[[vo6,y9bc[[

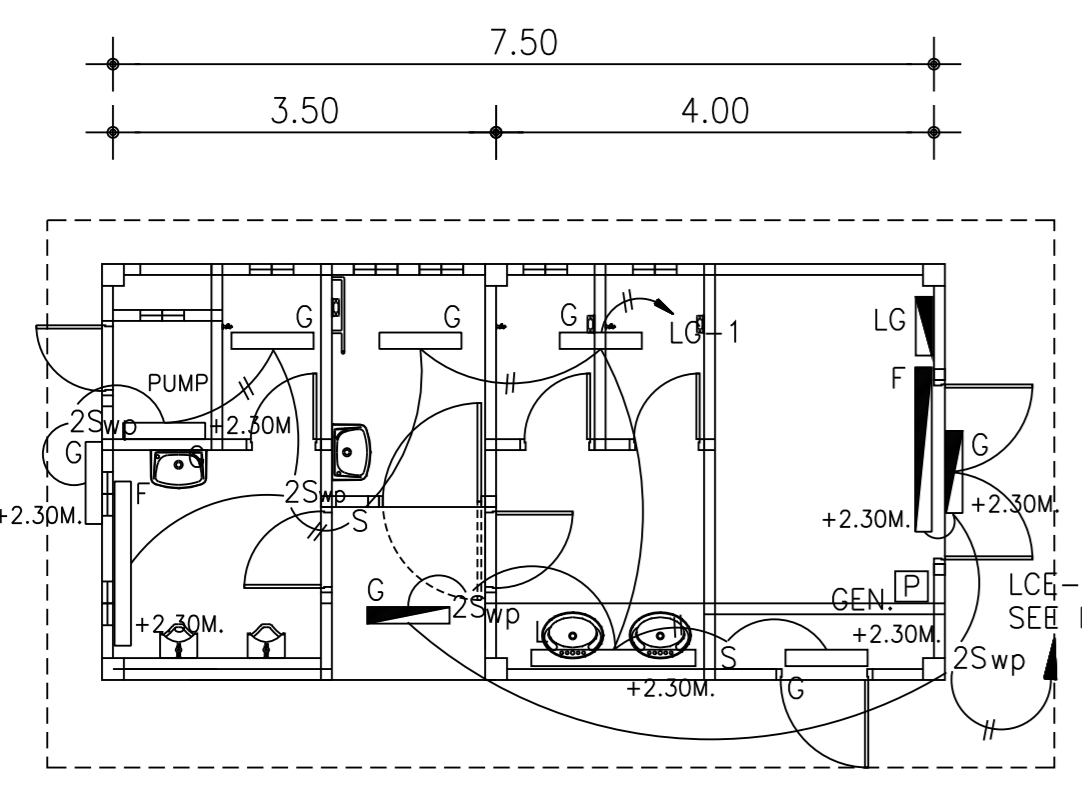
cdhw-c[[
8iyh'muj @

;yomuj,Kkpo #*%*

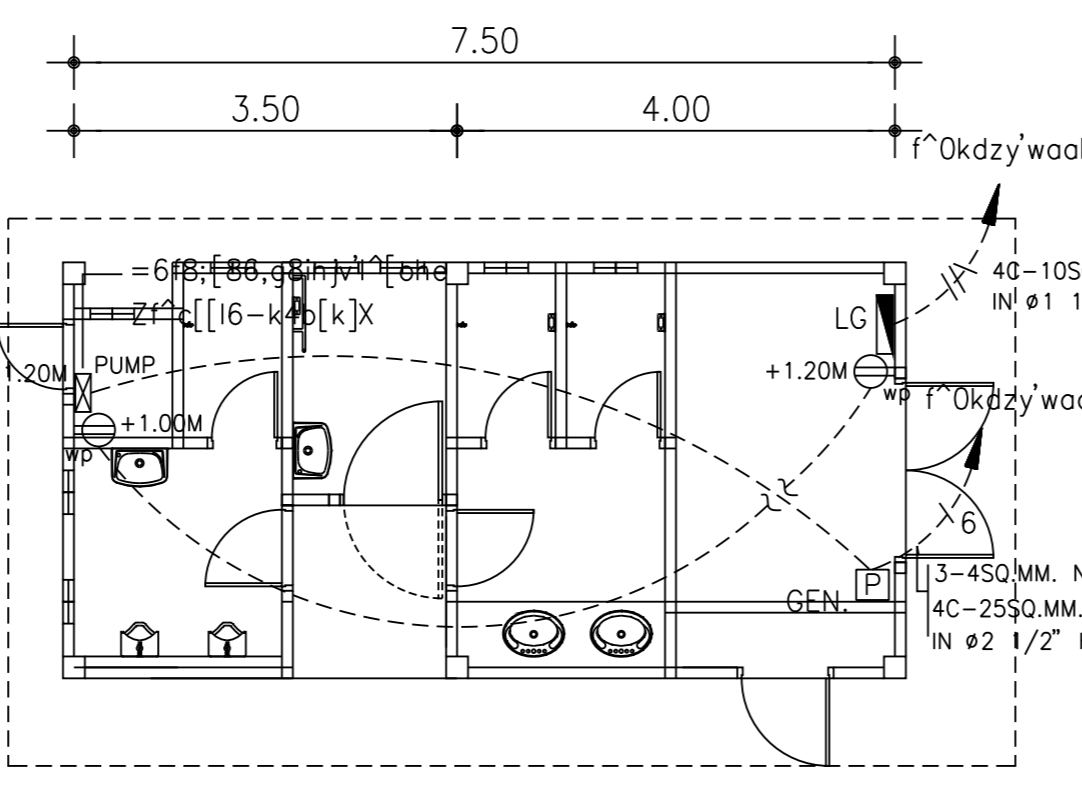
c[clif'
cx]o9bf9yh'it[[waahk
vk8kishv'oh'e]d8hk muj0vf
i5Tok8ki dki9bf9yh'
v6xdilNshv'g8in'jv'degobf
waahk

FILES NO. czjomuj
E-12

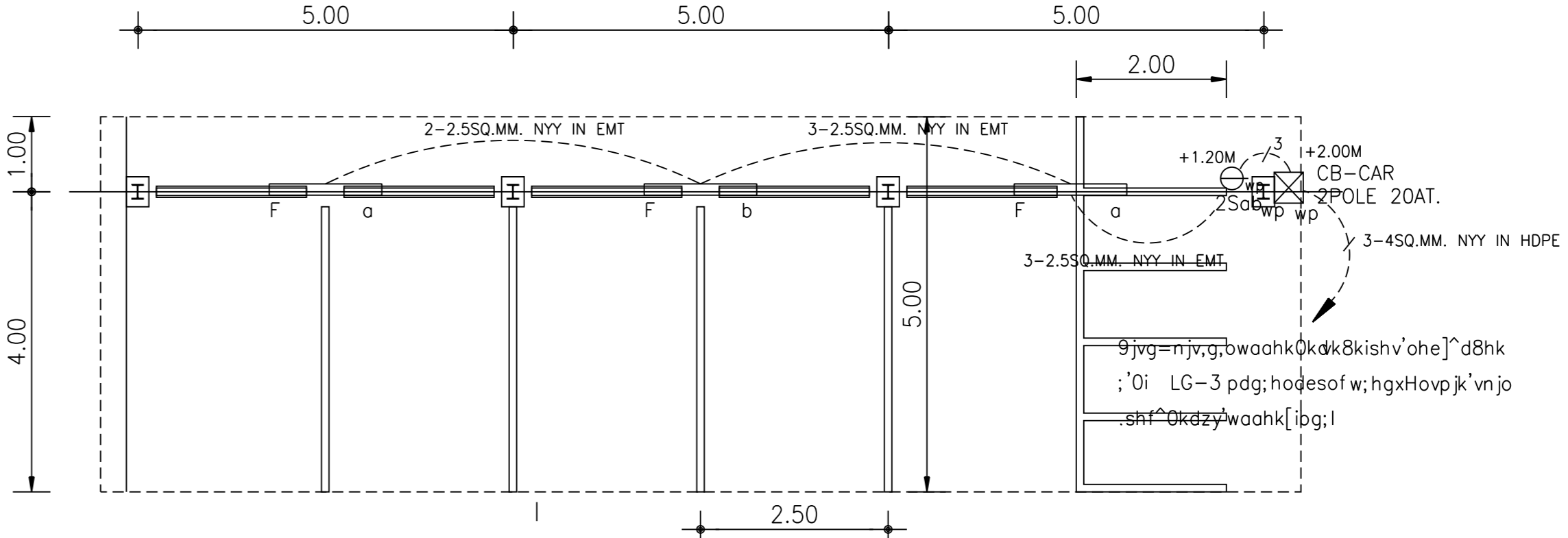
g]-mujc[[i.;
12



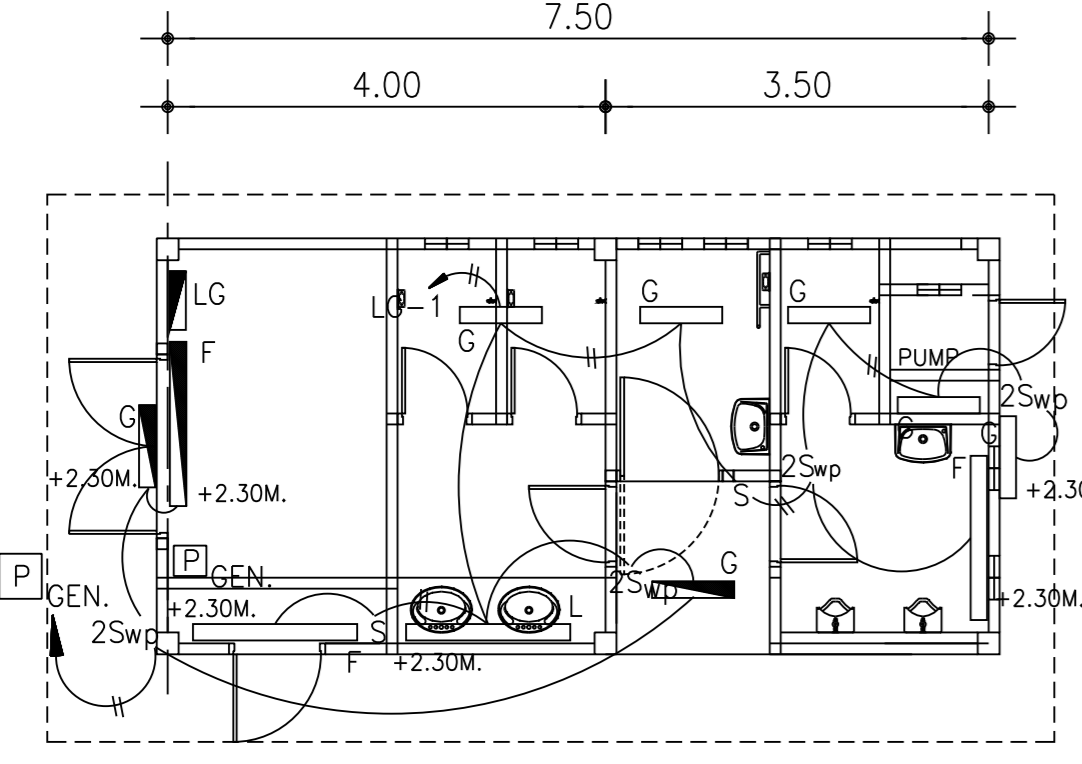
cx]o9bf9yh'it[[waahkcl'i; jk' shv'oh'e]d8hk
Z cx]oshv'g8in'jv'degobfwaahk fhko:hkp X
.k9ikl;jo 1 : 100



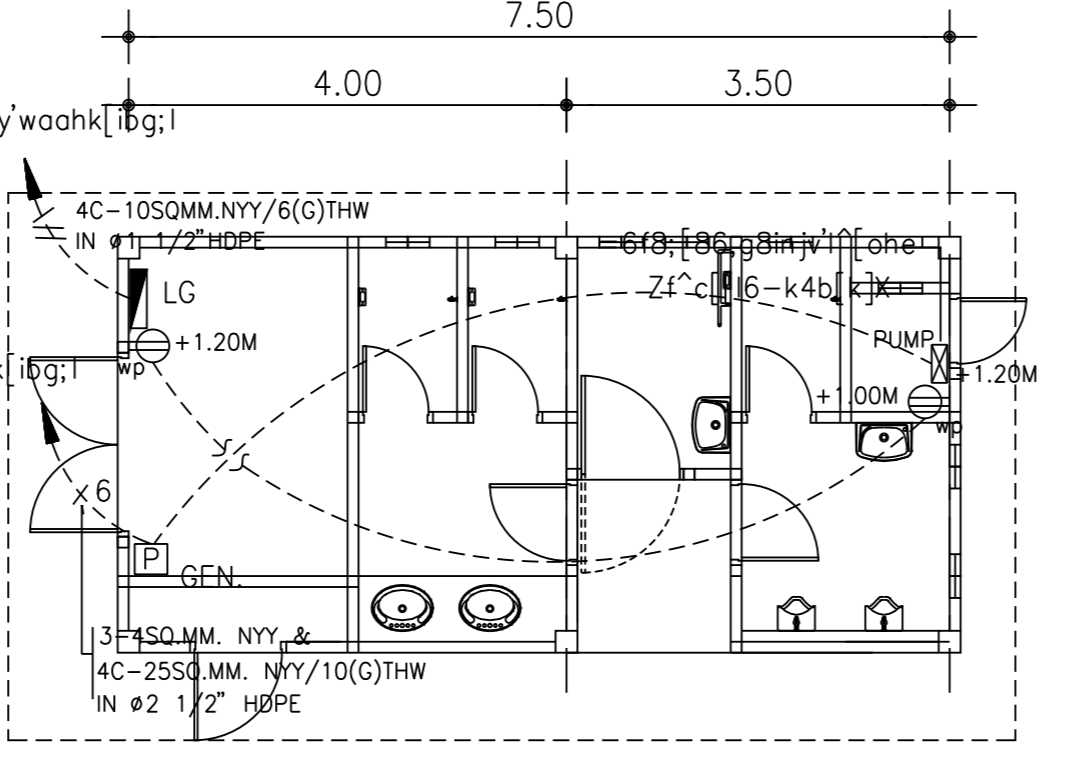
cx]o9bf9yh'it[[waahkg9hkiy[shv'oh'e]d8hk
Z cx]oshv'g8in'jv'degobfwaahk fhko:hkp X
.k9ikl;jo 1 : 100



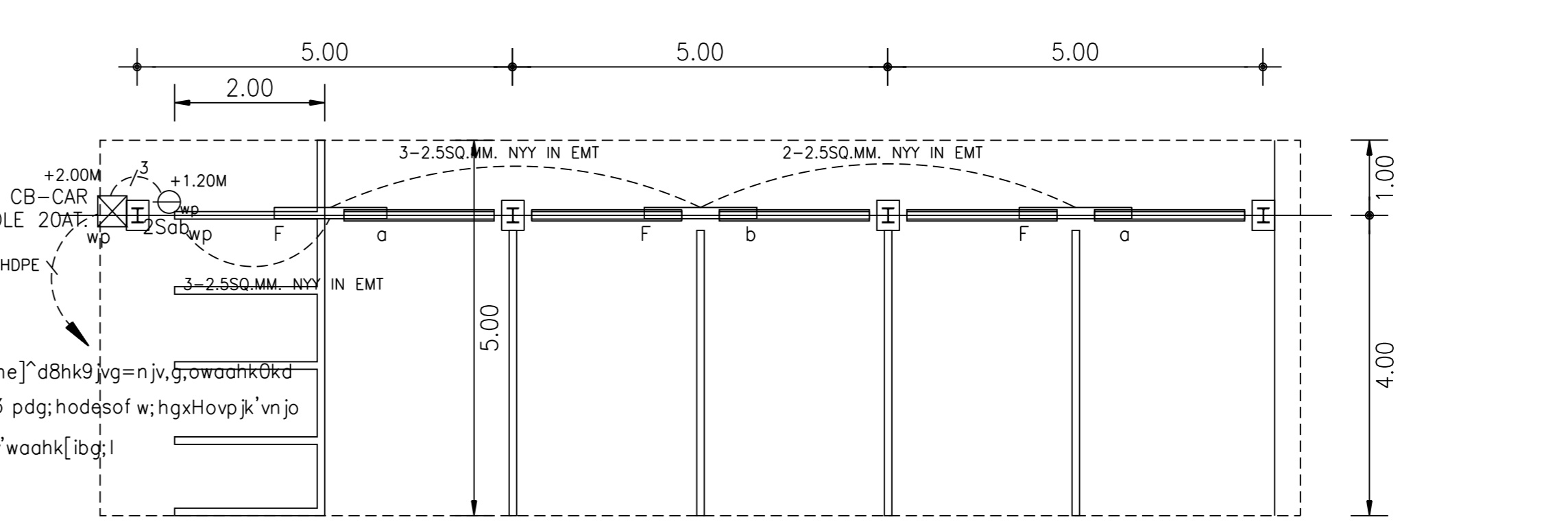
cx]o9bf9yh'it[[waahk muj0vfi5Tok8ki
Z cx]omuj0vfi5Tok8ki fhko:-k X
.k9ikl;jo 1 : 100



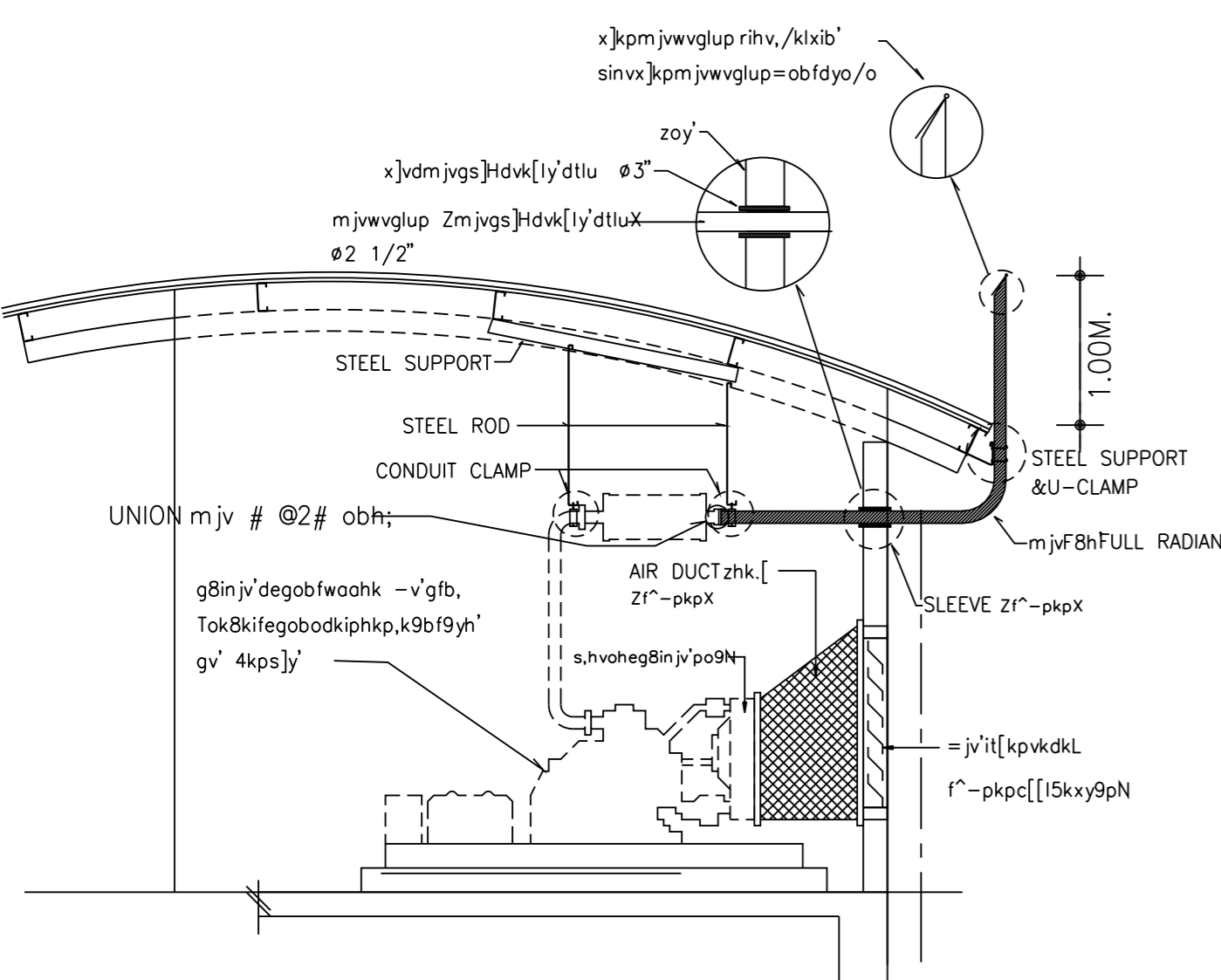
cx]o9bf9yh'it[[waahkcl'i; jk' shv'oh'e]d8hk
Z cx]oshv'g8in'jv'degobfwaahk fhko:-k X
.k9ikl;jo 1 : 100



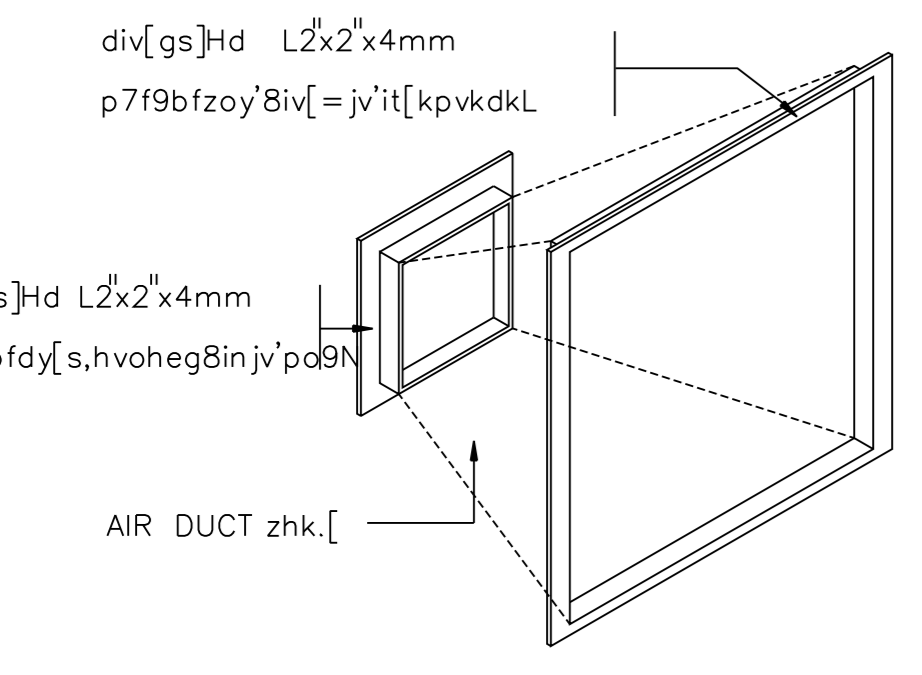
cx]o9bf9yh'it[[waahkg9hkiy[shv'oh'e]d8hk
Z cx]oshv'g8in'jv'degobfwaahk fhko:-k X
.k9ikl;jo 1 : 100



cx]o9bf9yh'it[[waahk muj0vfi5Tok8ki
Z cx]omuj0vfi5Tok8ki fhko:hkp X
.k9ikl;jo 1 : 100



-pkpdkl9bf9yh'v6xdilN4kp.oshv'g8in'jv'degobfwaahk



-pkp AIR DUCT g8in'jv'degobfwaahk

PANEL LOAD SCHEDULE
PANEL NAME: LG_LOCATION: vk8kishv'oh'e]d8hk
3PHASE 4 WIRES, 5N, 220/380 VOLTS
100 AMP MAINS LUGS SURFACE MOUNTED

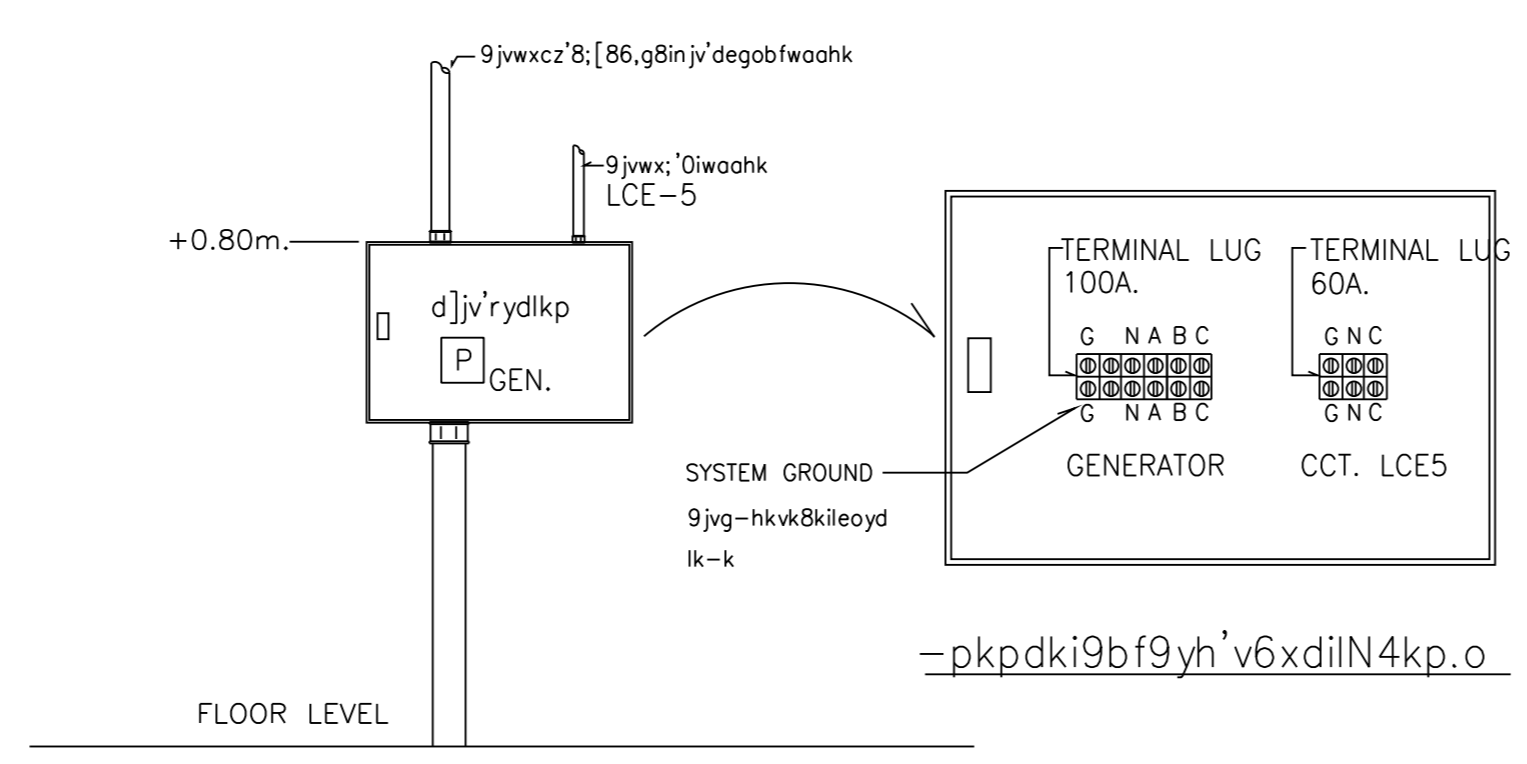
CKT. NO.	DESCRIPTIONS	LOAD IN VA			BREAKER	CONDUCTOR SIZE (SQMM)	DIAGRAM
		A	B	C			
1	cl'i;jk'	500			10 1	2-2.5	
3	muj0vfi5Tok8ki Zf'zy'waahk[ibg;ix	500			20 1	3-4 NYY	
5	leiv'		3		16 1	3	
7	leiv'			3	16 1	3	
9	3			3	3 3	3	
11	3			3	3 3	3	
2	g9hkiy[500			10 1	2-2.5/1.5(G)	
4	3			3	3 3	3	
6	3			3	3 3	3	
8	3			3	3 3	3	
10	3			3	3 3	3	
12	3			3	3 3	3	

TOTAL CONNECTED LOAD (VA)

MAIN CIRCUIT BREAKER 40... AT 14KA AT 380V.

MAIN FEEDER (SQMM) 4(1C-10)NYY/6(G)THW IN HDPE

CONNECTED TO CB LG 4kp.o MDBvk8kileoyd'ko



-pkpdkl9bf9yh'v6xdilN4kp.o GEN.

lyPP]ydkIN

LG F5]g;Hog9viN \$ gal % lkp -okf @# =jv' rihv,g,og[idgdvIn c]tq[idgdvIn]vp9k,-pkp Ffp5hk,bwfhdsofgxHovp'k' vnjo .sh9jvg=njv,g,owaahk0kdvk8kileoyd'ko myh'ouh.shf^kpdki]tgvupf0kzdy'waahk[ibg;l

+2.00M CB-CAR 2POLE 15AT. wp

2Sobwp

wp

wp

GEN. P

wp

vvdKidedy[clif'v6xdilN=obfml4krvkdL Zdyo/oX FfpgCrktl;bm=N g9hkiy[.h'koovdvk8ki.sh f^-hvdsof-v'c9]lv6xdilNfhko[o

s,kpgs96

3F8,waahk c];y1f6vxdilNxitdv[dkl9bf9yh'it[[waahk9'k'q 5hk,uwfhdsof;hgxHovp'k'vnjo.sh.=h9k, ikpdki;y1f6-v'vk8kileoyd'ko

3dilumujmedki9bf9yh'it[[waahk/y'rnhovk8ki shv'oh'e]d8hk muj0vfi5Tok8ki.sh9bf9yh'lkp9y;oeawaahkcomjihvhp

lkpwaahk=obf HDPE myh'ouh.shfegobodkifh;p;btugfup;dy[dy[it[[waahkvnjomuj9jvg=njv,g,owaahk0kdcz'8;[86,46ahk

3dki9bf9yh'it[[waahkshv'oh'e]d8hk muj0vfi5Tok8ki .sh9bf9yh'lkp9y;oeawaahk4kp.omjihvhp

=obfEMTFp.=h-hv9jvmjihvplkp=obRAIN TIGHT gm]koy]zpdg;homjihvplkp,owaahk .shf^Okdzy'waahk[ibg;ix

3z^hiy[Ohk'9hv'Oyfskc]t9bf9yh'it[[m]jvwglup9k,c[[-pkpshv'g8in'jv'degobfdesof xitdv[th;p

@'m]jvoewglup mjvgs]Hdvk[ly'dtlu 2 1/2" Z.=hm]MCwfN-okf8in'jv'degobfwaahk-v'gfb, -v;yf-okfwmujk-kTok8ki

oy[Okd-hv9jUNION Zi;.myh'UNION) 57'x]k]p/klxib'xbfx]kpm]jvwglup Zi;.57'klxib'sinx]kpm]jvdyo/oX

#"9y;Oy]p7fm]jvwglup]EEL SUPPORT ,STEEL ROD ,CONDUIT CLAMP ,U-CLAMP

\$"x]vdits;jk'mjvdy[zo'y'vk8ki mjvgs]Hdvk[ly'dtlu 03" Z.=hm]MCwfN

%"Oyfme AIR DUCT -v'g8in'jv'degobfwaahk 9k,c[[-pkp

