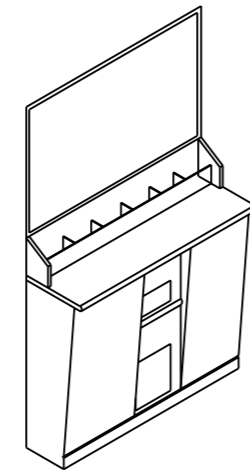


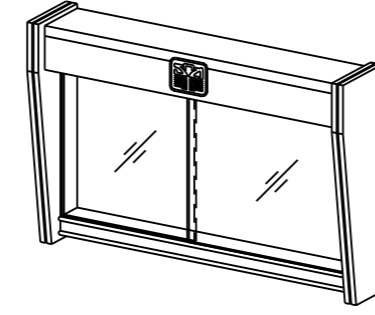
F-1/1 , F-1/2

gdhkvuhryd8vp
F1/1 mjuoyj3roydrb'wog[vin
F1/2 mjuoyj3roydrb[6soy'gmup.]{6zhk Zg]hvdlu4kps}x



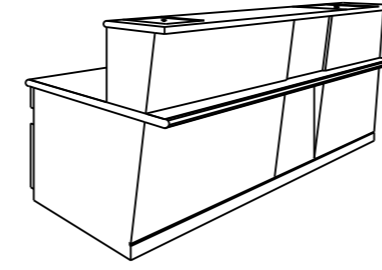
F-2

g8koNg9viNg-upo. /kd35vo
f'c[[-pkp



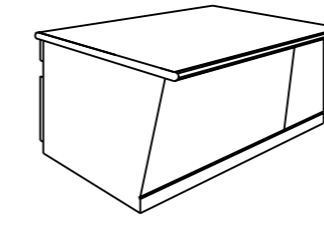
F-3

[vinf9bfxitdKl Zc[[9h^dit0dX
-okf 0.25x2.00x2.20.,"
f'c[[-pkp



F-4

g8koNg9viN1"
-okf 0.80x2.40x1.10.,"
f'c[[-pkp



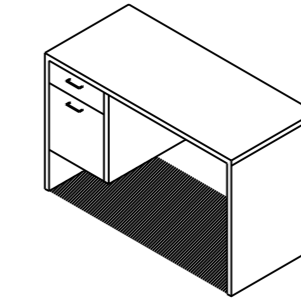
F-5

g8koNg9viNg9uhp
-okf 0.80x1.80x0.75.,"
f'c[[-pkp



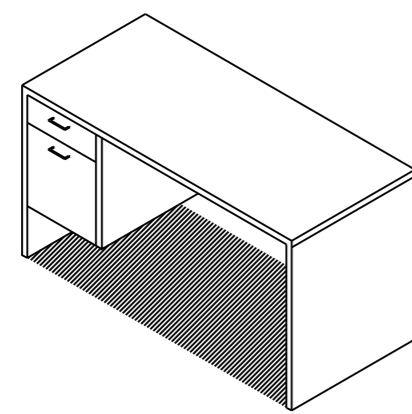
F-6

gdhkvuh ZlegiH0i^xX



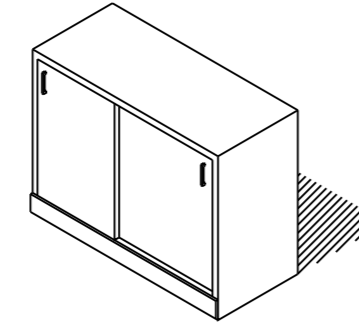
F-7

F9Utmeko ZlegiH0i^xX
-okf 0.60x1.20x0.75.,"



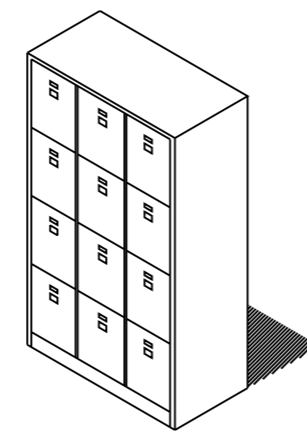
F-8

F9Utmeko ZlegiH0i^xX
-okf 0.80x1.50x0.75.,"



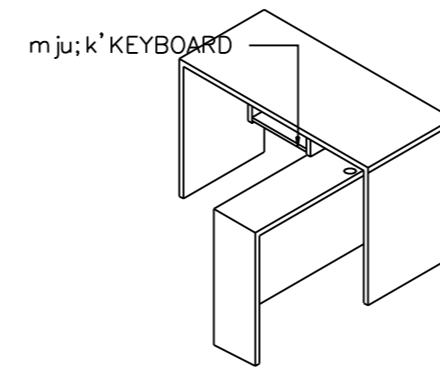
F-9

9h^gvdiki[kog]hjo ZlegiH0i^xX
-okf 0.40x0.90x0.81.,"



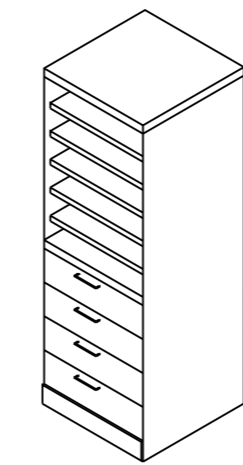
F-10

9h^LOCKER Zgs]dX
-okf 0.45X0.90X1.80.,"



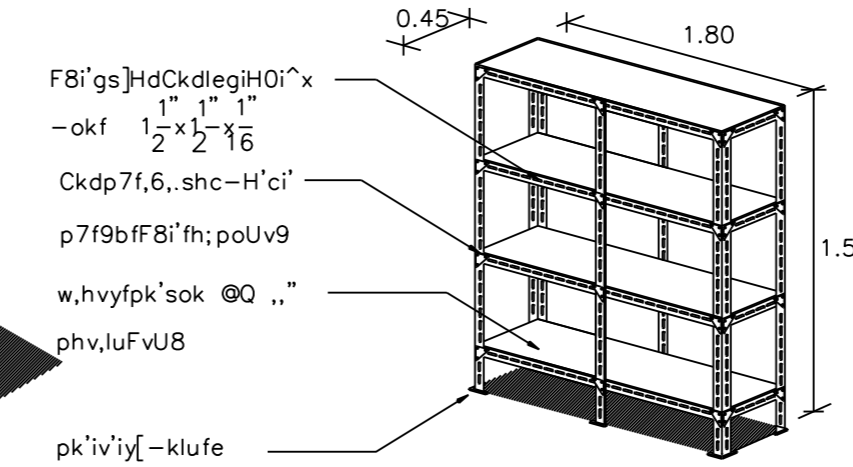
F-11

mju;k'KEYBOARD
F9U18v.rb;g9viNzlegiH0i^xX,umju;KEYBOARD
-okf 0.60x1.20x0.75.,"
F9Ut-hk'-okf 0.50x1.00x0.75.,"



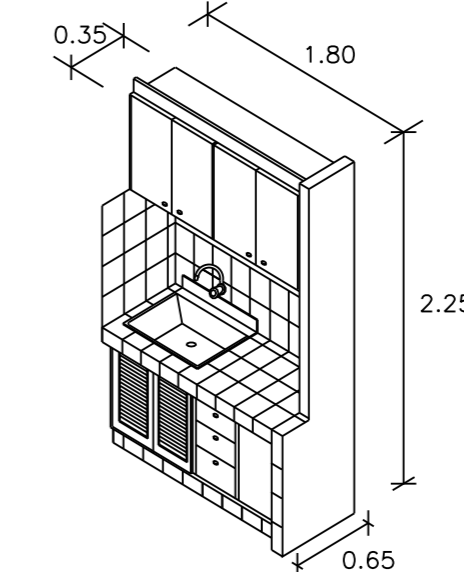
F-12

9h^gvdiki ZlegiH0i^xX
-okf 0.40x0.47x1.50.,"



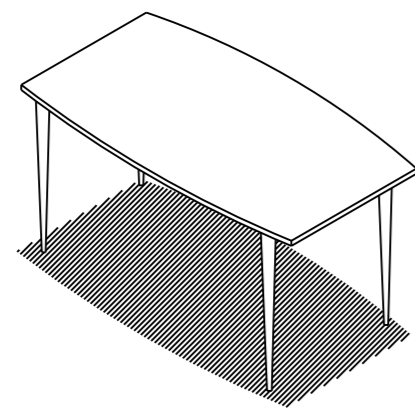
F-13

F8i'gs]HdCklegiH0i^x
-okf 1/2 x 1/2 x 1/2
Ckdp7f.6.,shc-H'ci'
p7f9bF8i'fh;poUv9
w,hvypk'sok @Q.,"
phv,luFvU8
pk'iviy[-klufe
=yhogs]Hd;k'gvdiki
-okf 0.45x1.80x1.50.,"



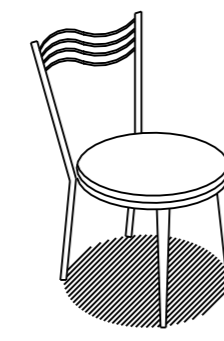
F-14

=6PANTRY Zg8koNg9viN 8""]x
-okf 0.65x1.80x2.25.,"
f'c[[-pkp



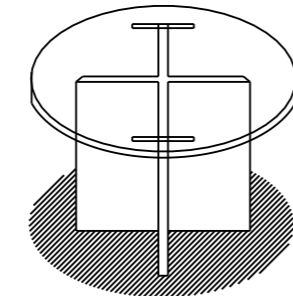
F-15

F9Utmkovski ZlegiH0i^xX
-okf 0.80x1.50x0.75.,"



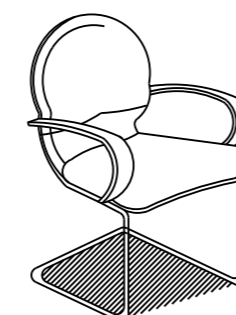
F-16

gdhkvuhmkovski ZlegiH0i^xX



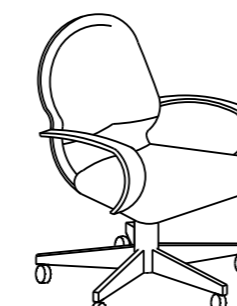
F-17

F9Utxit=6,legiH0i^x Z-v[dit0d.lg0upi-v'X
-okf 1.00.," f'c[[-pkp 0.75.,"



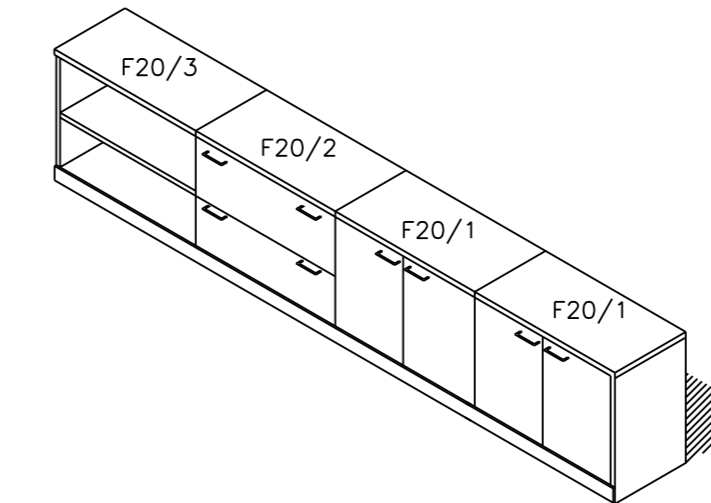
F-18

gdhkvuh ZlegiH0i^xX
-okf 0.50x0.48.,"
-okfroydrb' 0.50x0.50.,"



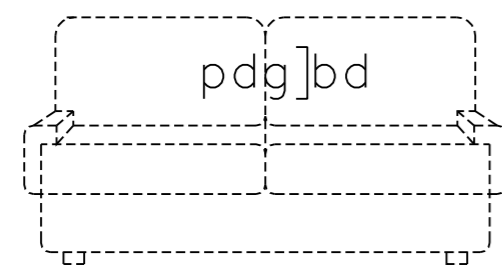
F-19

gdhkvuhzh^Oyfdki ZlegiH0i^xX
-okf 0.50x0.48.,"
-okfroydrb' 0.50x0.57.,"



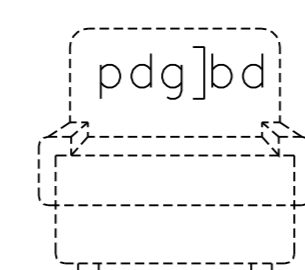
F-20

9h^gvdiki ZlegiH0i^xX
F20/1 -okf 0.40x0.90x0.81.," Z[kogxbf3xbfx
F20/2 -okf 0.40x0.90x0.81.," Z[ko]hho=ydX
F20/3 -okf 0.40x0.90x0.81.," Z=yhoF]] c[[w.j.usohk[koX



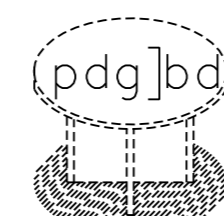
F-21/1

F:ok # mjuoyj,umhk;c-o ZlegiH0i^xX
-okf 0.83x1.38x0.725.,"



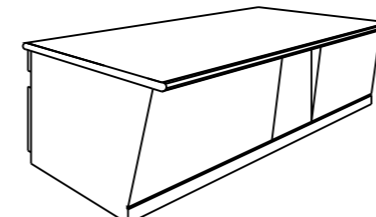
F-21/2

F:ok @ mjuoyj,umhk;c-o ZlegiH0i^xX
-okf 0.83x0.85x0.725.,"



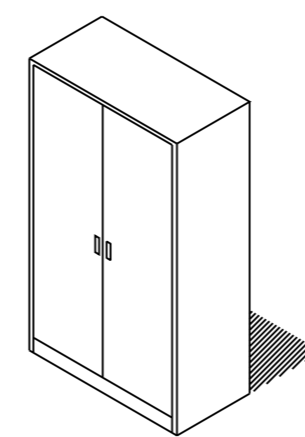
F-22

F9Utd]k'F:ok ZlegiH0i^xX
-okf 0.80x0.55.,"
TOP PARTICLE BOARD



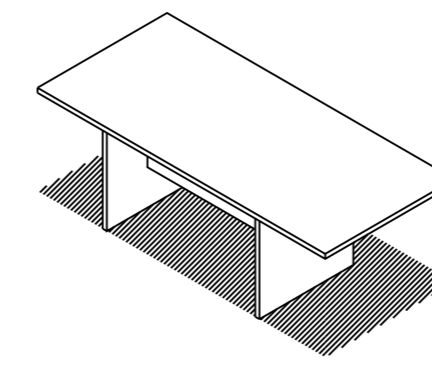
F-23

g8koNg9viNg9uhp
-okf 0.80x2.40x0.75.,"
f'c[[-pkp



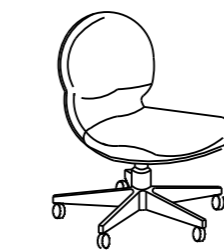
F-24

9h^gvdiki[kogxbf ZlegiH0i^xX Zgs]dX
-okf ± 0.45x0.90x1.80"
-v' KINGDOM



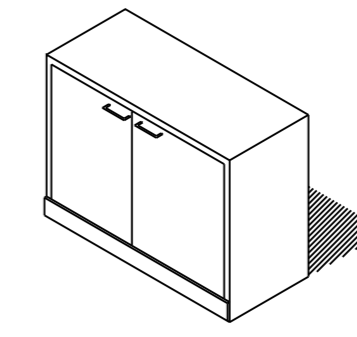
F-25

F9Utg8]upIN'ko ZlegiH0i^xX
-okf 1.00x2.40x0.75"



F-26

gdhkvuhg8]upIN'ko ZlegiH0i^xX
-okf 0.50x0.48.,"
-okf 0.50x0.50.,"



F-27

9h^gvdiki[kogxbf ZlegiH0i^xX
-okf 0.40x0.90x0.81.,"

lk-kOyf:nhvz]b94yRN4kp.o=6,o

REVISIONS	DATE
NOTE	
<ul style="list-style-type: none"> • ALL DIMENSIONS ARE IN METER UNLESS OTHERWISE INDICATED • NO DIMENSION SHALL BE SCALED • ALL DRAWINGS ARE THE PROPERTY OF THE AREA CO.,LTD. AND CAN NOT BE USED REPRODUCED OR DUPLICATED WITHOUT PERMISSION 	
OWNER	
Tok8kigrn jvdkgidK9i	
c]tsdidkigqk9i	
DESIGNER	
111/1 Lodproo23 Lodoo Chaluchok Bangkok 10900	
Tel. (662) 5139533-5 Fax. (662) 5139536	
I5kxobd	
v]din 9ik=^	15°00'00"
:yo=yp [6P;ib=pN	15°0°'4
okp:bl["]N g0Bp;k;6cb 15°00'00"	
okpLuu;yc0N ris;6;iii 15°'4"	
okp:bg=KN g0bPtu["iN i15°0')#	
;bl;diF8i'lihk'	
okp]y;yoTN -6miko0N ip'(#)0	
okpobokm mv'k	lp'#+\$\$
;bl;di6-k4b[k]	
okp]pk, 06jorb0kIN 4d')_2Q	
okp]vj;Fio0N v699,lvikdi,	
okp=bf=yp	=y=k]pNxiu=k
;bl;diwaahk	
okp=y;yc0N :njy9i' 4od'*%0%	
okp:boyp mv'ory90N 4od'0)##	
;bl;dig8in]v'd]	
okp]pk, 06jorb0kIN 4d')_2Q	
,y]Rokdi	
okp]bmTb=yp v6optryoTN 15°["Z4kp.ok	
ok'wku;ypN d6ptTiri9 LK["	
okp]blit =";KN LK["	
DRAWN	DATE
CHECKED	
APPROVED	
F8i'dki	
xiy]xi6'vk8kileoyd'kolk-k	
Zleoyd'ko \$ =yhoX	
muj9&'	
c[[clf'	
c[[clf'8i64y]RN	
FILE NO	DRAWING NO
0203	A - 40
DATE	
21 / 02 / 2003	
SUB TOTAL	GRAND TOTAL
46	

