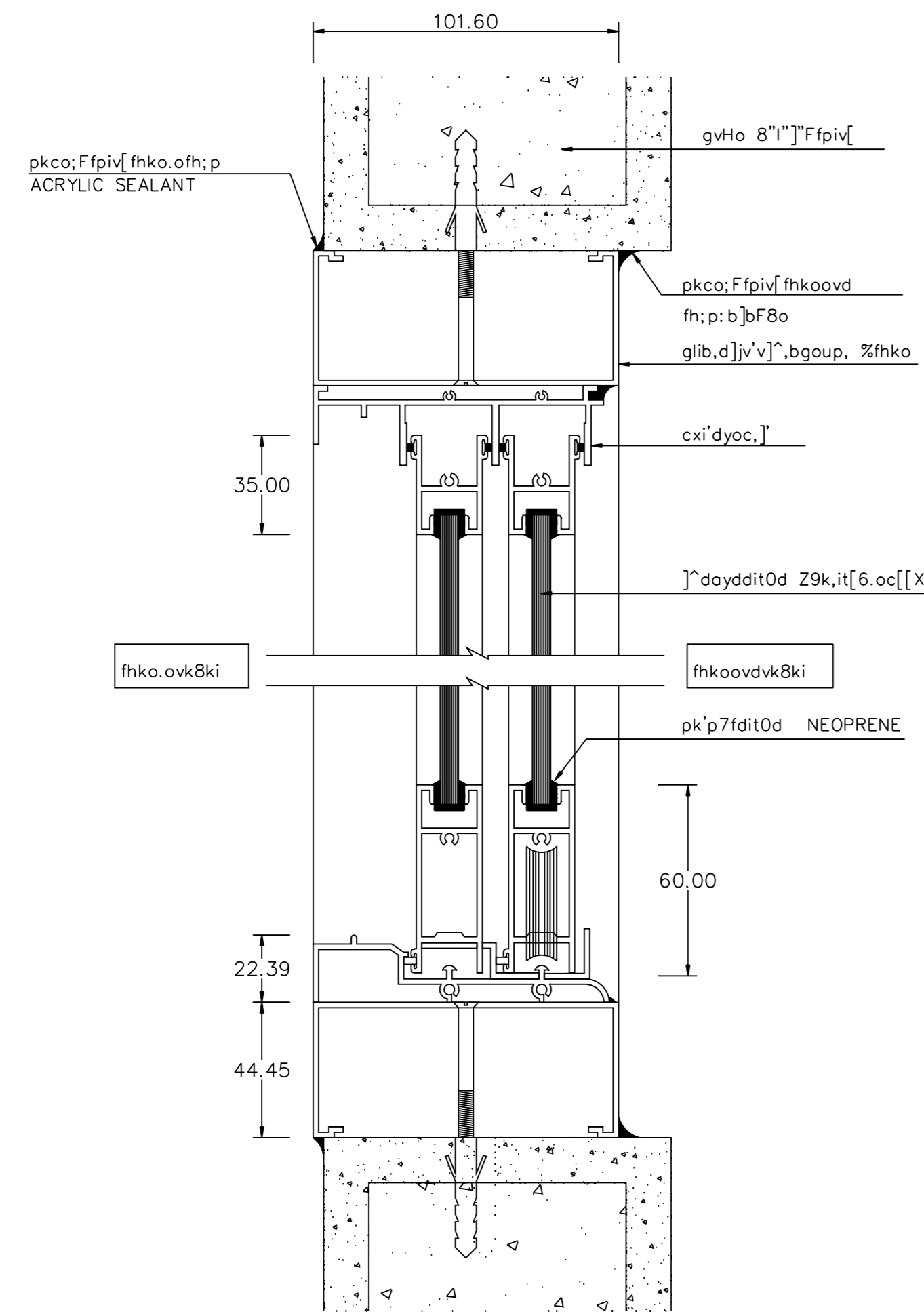
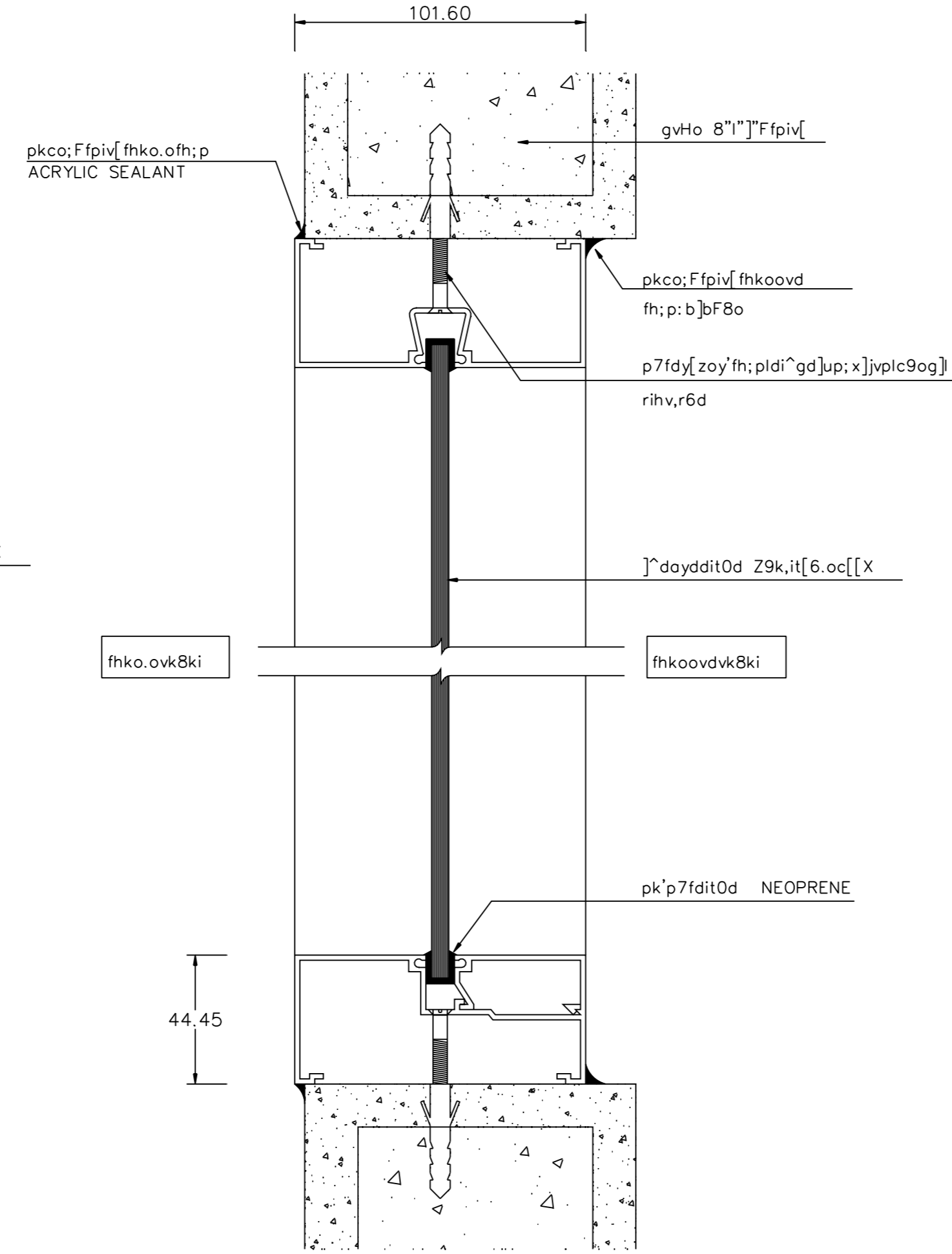


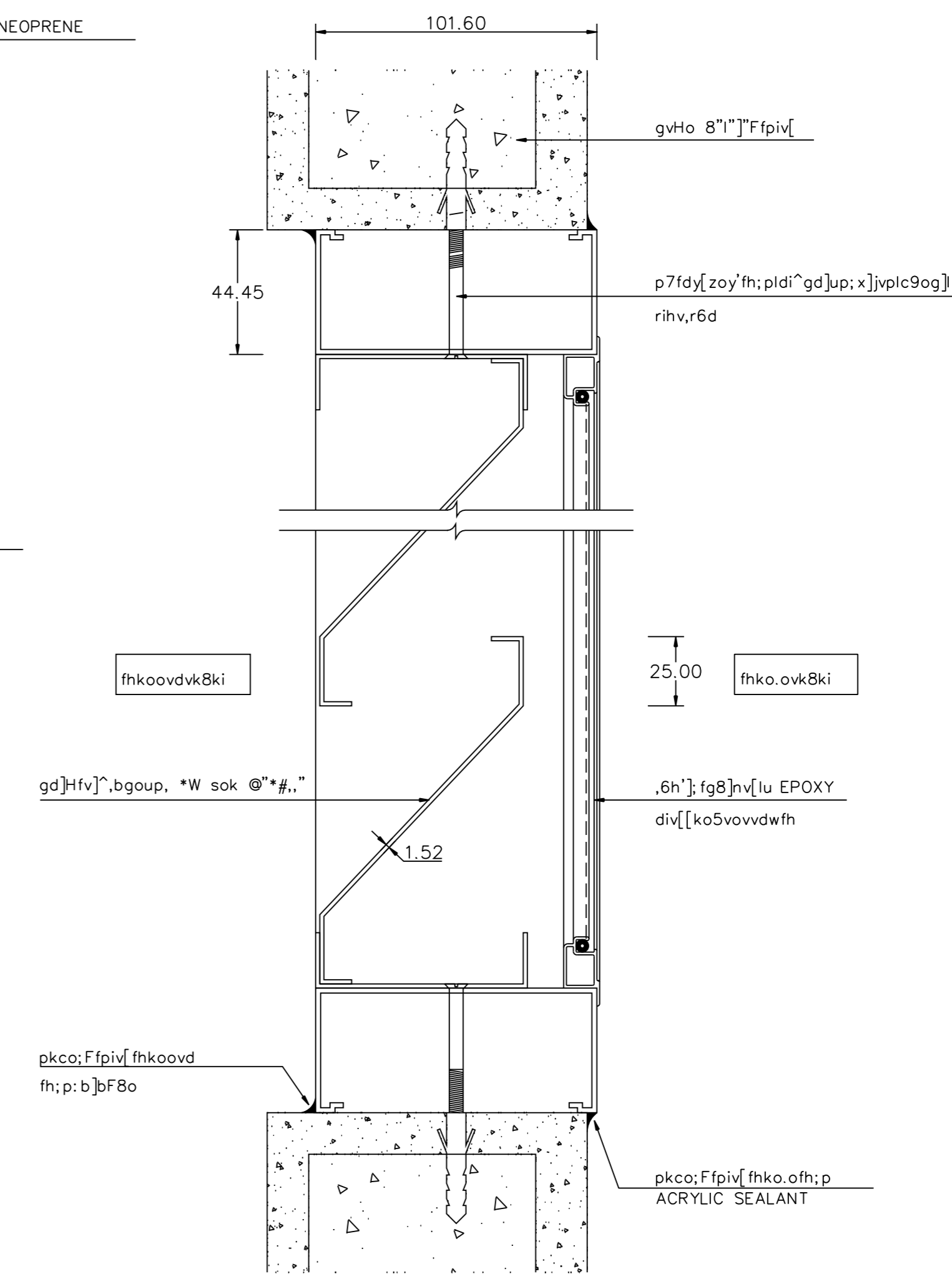
cx]o soh9jk'[kog]n jvov]^,bgoup,  
 .k9ikl;:o 1 : 2



i^x9yfoh9jk'[kog]n jvov]^,bgoup,  
 .k9ikl;:o 1 : 2



i^x9yf[ko9bf9kp]^,bgoup,  
 .k9ikl;:o 1 : 2



i^x9yf[kogd]Hfv]^,bgoup,9bf9kp  
 .k9ikl;:o 1 : 2

- s.kpgs96
- w.j.shp7fs,6f (RIVET) fhkosohk-v^gd]Hf
  - [kogd]Hfsohk9jk' 1)w.j9h^9bf,6h'];f

REVISIONS	DATE
A c[[d]virk'	15/02/2000

NOTE  
 • ALL DIMENSIONS ARE IN METER UNLESS OTHERWISE INDICATED  
 • NO DIMENSION SHALL BE SCALED  
 • ALL DRAWINGS ARE THE PROPERTY OF THE AREA CO.,LTD. AND CAN NOT BE USED REPRODUCED OR DUPLICATED WITHOUT PERMISSION

OWNER  
 Tok8kigrn jvdkgdK9i  
 c]tsdildkigqk9i

DESIGNER  
**AREA** AREA CO.,LTD.  
 111/1 Lodproo23 Lodyoo Chaturach Bangkok 10900  
 Tel. (662) 5139533-5 Fax. (662) 5139536

15kxobd  
 v]dlin 9ik=^ 15^00#  
 :yo=yp [6P;ib=pN 15^0\*%#4  
 rie=yp d9b;ikilki 15^#\*#4  
 :b]n g9bP;ik;6d 15^000#

ASSISTANT ARCHITECT  
 gdup^adi cloi6;LN  
 ;bl; dif8i'lihk'  
 .kot 0i^Pr^XNlyibN 1p^%#  
 v]dlin 9ik=^ 1p^%#  
 foyp i;k^FC, 1p^%#-  
 ;bl; dil6-k4b[k]  
 i64ymi ;ktb=pNd6] lod^%#\_  
 Lbib=yp Oyo9iud6] x;!"  
 ;bl; diwaahk  
 [iio^ g9bPab0r^]z] :od^%#  
 =yp;yc0N :nj9i' 4od^%#0%

;bl; dig8in jv^d]  
 ly' ob9bro 1d^%#-  
 ,yRokdi  
 ruil69 i6;ildp;bdpN 15^%#04  
 lbtmTb=yp v6joptryd9] 24kp.oX

DRAWN DATE  
 [brydi s.y;lug]bl

CHECKED

APPROVED

F8i'dki  
 vk8kileoyd'kolk-k  
 muj9&'  
 v^-]e' 0^ Oyam[6iu  
 c[[ctf'  
 c[[ -pkp,k9i]ko  
 xi19^ 3 soh9jk'

FILE NO	DRAWING NO
9911	A - 14
DATE 15 / 02 / 2000	
SUB TOTAL	GRAND TOTAL

