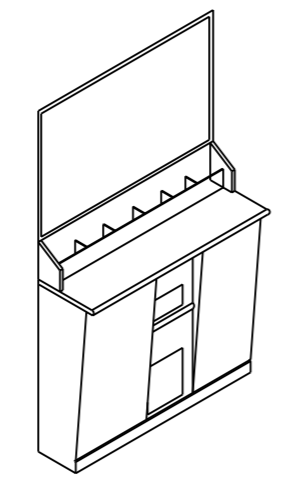
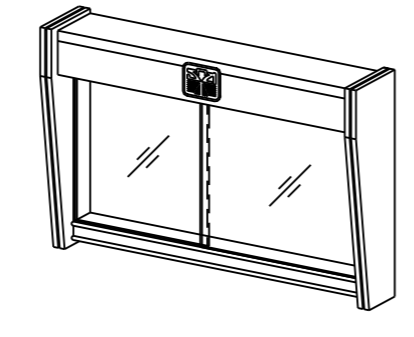


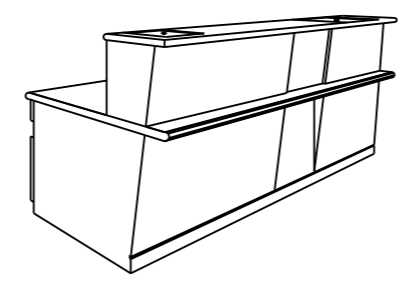
F-1/1 , F-1/2
gdhkvuhryd8vp
F1/1 mjuoyj3roydrb'wog[vin
F1/2 mjuoyj3roydrb[6soy'gmup,{6zhk Zg]hvdu4kps}x



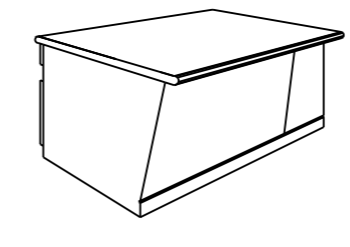
F-2
g8koNg9viNg-upo./kd35vo
f'c[[-pkp



F-3
[vinf9bfxitdKl Zc[[9h^dit0dX
-okf 0.25x2.00x2.20."
f'c[[-pkp



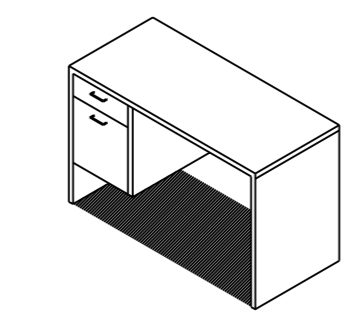
F-4
g8koNg9viNIN"
-okf 0.80x2.40x1.10."
f'c[[-pkp



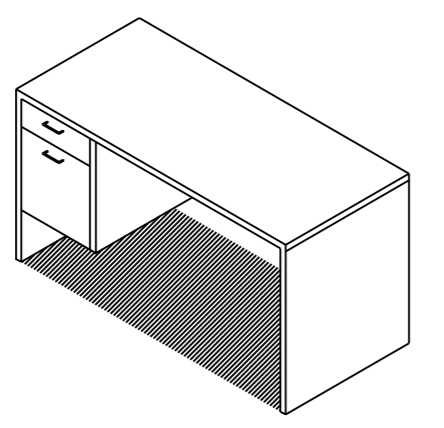
F-5
g8koNg9viNg9uhp
-okf 0.80x1.80x0.75."
f'c[[-pkp



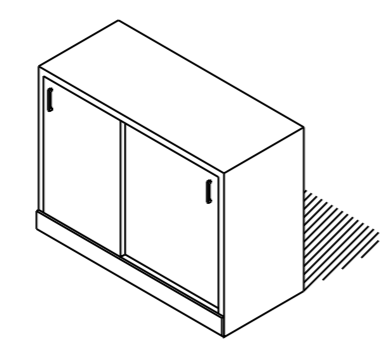
F-6
gdhkvuh ZlegiH0i^xX



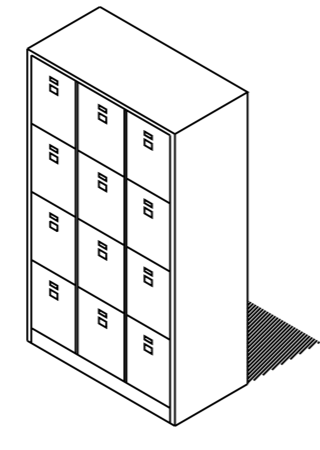
F-7
F9Utm'e'ko ZlegiH0i^xX
-okf 0.60x1.20x0.75."



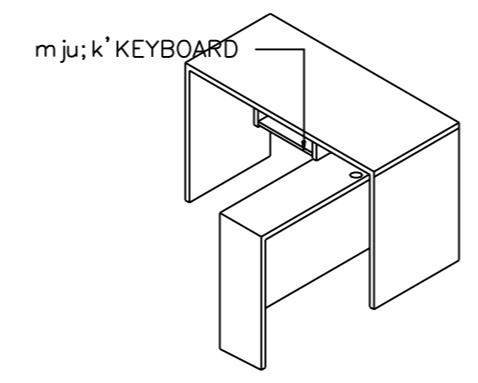
F-8
F9Utm'e'ko ZlegiH0i^xX
-okf 0.80x1.50x0.75."



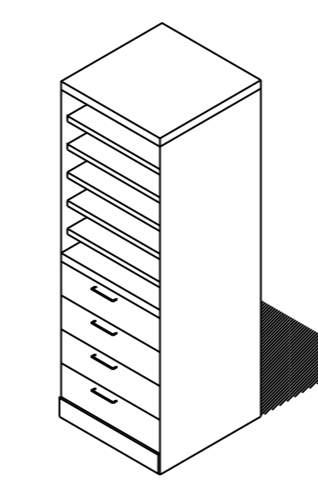
F-9
9h^gvdiki[kog]h'jvo ZlegiH0i^xX
-okf 0.40x0.90x0.81."



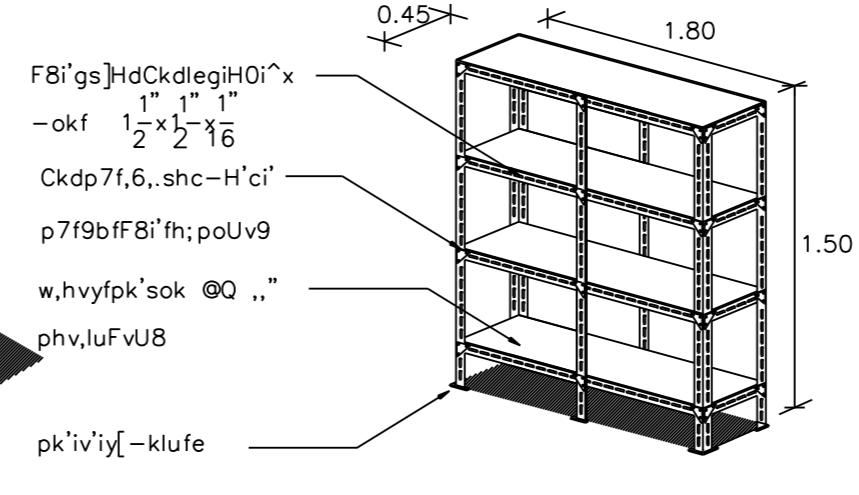
F-10
9h^LOCKER Zgs]hdX
-okf 0.45X0.90X1.80."



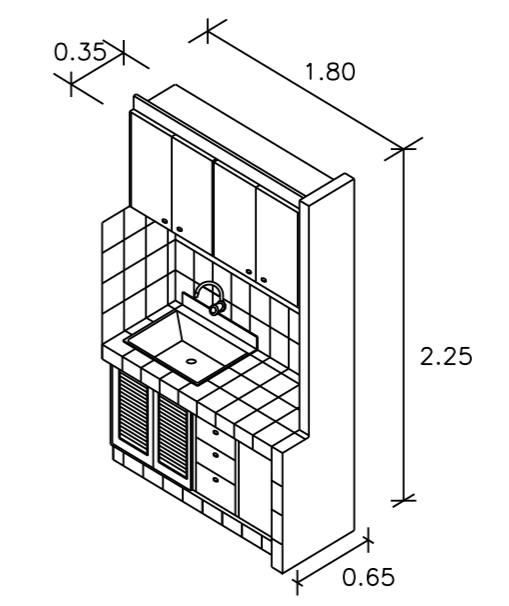
F-11
mju;k'KEYBOARD
F9U18v.rb;g9viNzlegiH0i^xX;umju;KEYBOARD
-okf 0.60x1.20x0.75."
F9U1-hk'-okf 0.50x1.00x0.75."



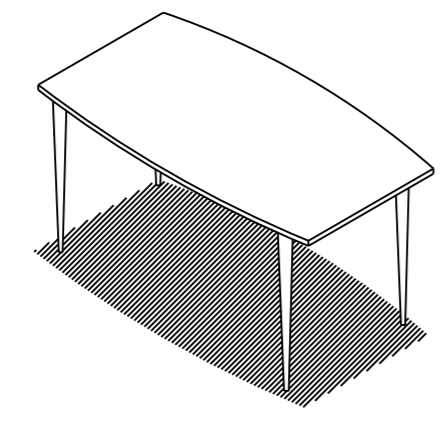
F-12
9h^gvdiki ZlegiH0i^xX
-okf 0.40x0.47x1.50."



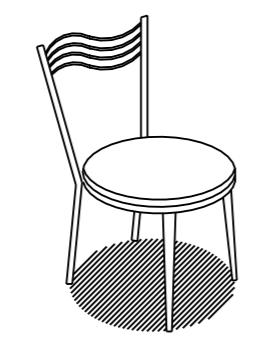
F-13
F8i'gs]HdCklegiH0i^x
-okf 1 1/2 x 1 1/2 x 1 1/2
Ckdp7f.6,.shc-H'ci'
p7f9bF8i'fh;poUv9
w,hvypk'sok @Q ."
phv,luFvU8
pk'iviy[[-klufe
=yhogs]Hd;k'gvdiki
-okf 0.45x1.80x1.50."



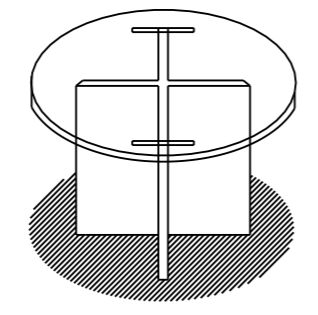
F-14
=6PANTRY Zg8koNg9viN 8""]X
-okf 0.65x1.80x2.25."
f'c[[-pkp



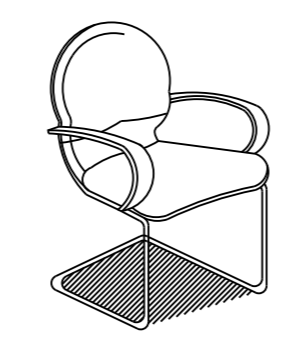
F-15
F9Utmkovski ZlegiH0i^xX
-okf 0.80x1.50x0.75."



F-16
gdhkvuhmkovski ZlegiH0i^xX



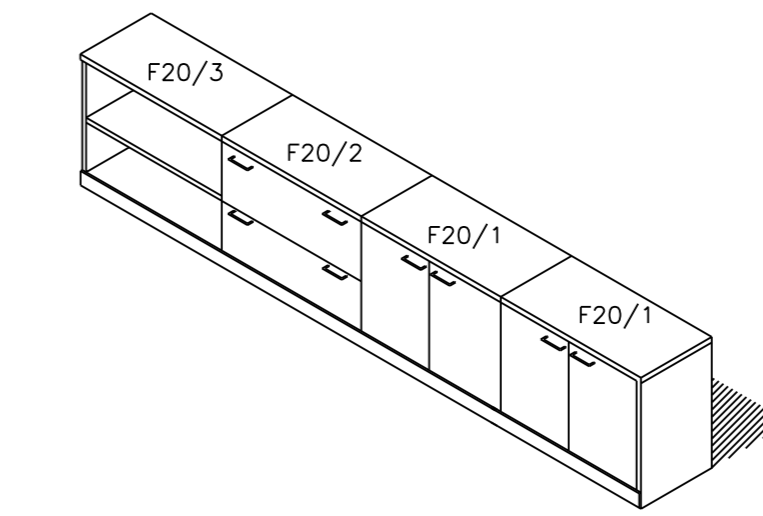
F-17
F9Uxtit=6,legiH0i^x Z-v[dit0d.lg0upi-v]X
-okf 0.1.00." f' 0.75."



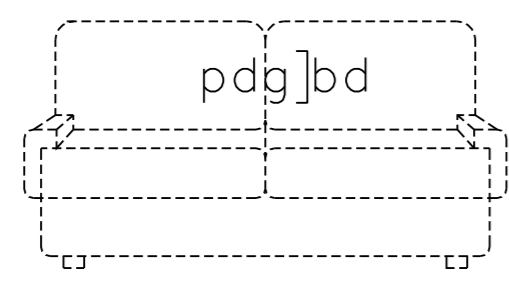
F-18
gdhkvuh ZlegiH0i^xX
-okfg[ktoyj] 0.50x0.48."
-okfroydrb' 0.50x0.50."



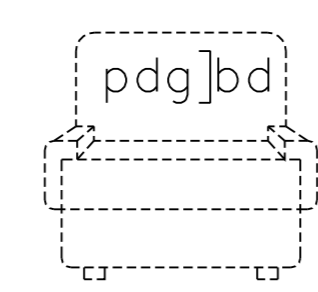
F-19
gdhkvuhzh^Oyfdki ZlegiH0i^xX
-okfg[ktoyj] 0.50x0.48."
-okfroydrb' 0.50x0.57."



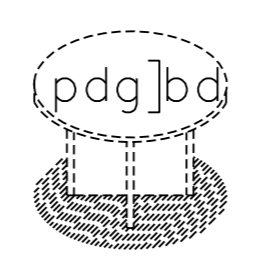
F-20
9h^gvdiki ZlegiH0i^xX
F20/1 -okf 0.40x0.90x0.81." Z[kogxbf3xbfx
F20/2 -okf 0.40x0.90x0.81." Z[ko]hho=ydX
F20/3 -okf 0.40x0.90x0.81." Z=yhoF]] c[[w.j.usohk[koX



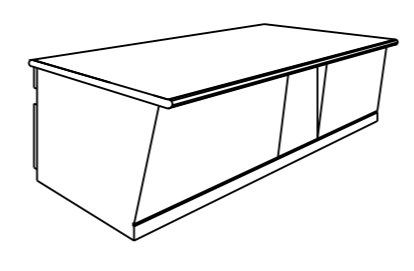
F-21/1
F:ok # mjuoyj,umhk;c-o ZlegiH0i^xX
-okf 0.83x1.38x0.725."



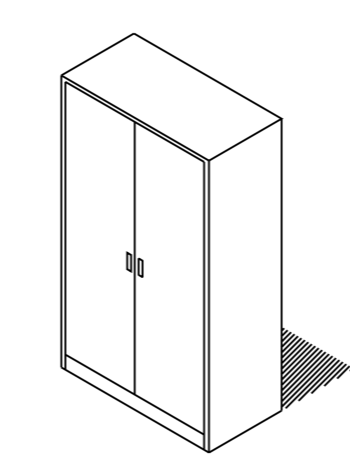
F-21/2
F:ok @ mjuoyj,umhk;c-o ZlegiH0i^xX
-okf 0.83x0.85x0.725."



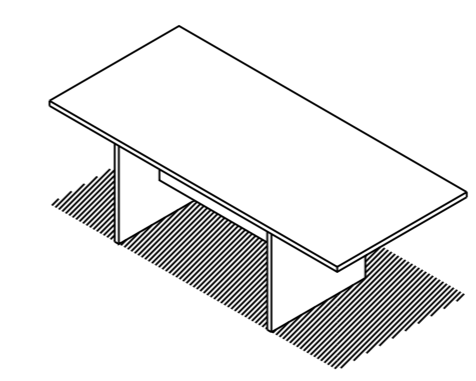
F-22
F9Utd]k'F:ok ZlegiH0i^xX
-okf 0.80x0.55."
TOP PARTICLE BOARD



F-23
g8koNg9viNg9uhp
-okf 0.80x2.40x0.75."
f'c[[-pkp



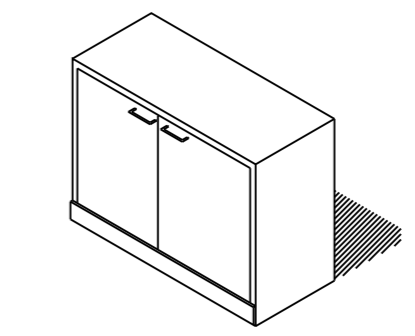
F-24
9h^gvdiki[kogxbf ZlegiH0i^xX Zgs]hdX
-okf ± 0.45x0.90x1.80"
-v' KINGDOM



F-25
F9Utg8]upin'ko ZlegiH0i^xX
-okf 1.00x2.40x0.75"



F-26
gdhkvuhg8]upin'ko ZlegiH0i^xX
-okfg[ktoyj] 0.50x0.48."
-okfg[ktoyj] 0.50x0.50."



F-27
9h^gvdiki[kogxbf ZlegiH0i^xX
-okf 0.40x0.90x0.81."

REVISIONS	DATE
NOTE	
• ALL DIMENSIONS ARE IN METER UNLESS OTHERWISE INDICATED	
• NO DIMENSION SHALL BE SCALED	
• ALL DRAWINGS ARE THE PROPERTY OF THE AREA CO.,LTD. AND CAN NOT BE USED REPRODUCED OR DUPLICATED WITHOUT PERMISSION	
OWNER	
Tok8kigrn jvdkgidK9i c]tsididkigqk9i	
DESIGNER	
AREA CO.,LTD.	
111/1 Lodproo23 Lodoo Chaluchok Bangkok 10900 Tel. (662) 5139533-5 Fax. (662) 5139536	
I5kxobd	
v]din 9ik=^	15^000#
:yo=yp [6P;ib=pN	15^0^%4
okp:b[]^N g0Bp;k;6cb 15^000#	
okpLuu;yc0N ris;6;iii 15^\$^%4^	
okp:bg=KN g0bP]tu["iN 15^0]/g	
;bl; diF8i'lihk'	
okp]y;yoTN -6mikoorn lp'(#)/0	
okpobokm mv'k	lp'#+\$
;bl; dil6-k4b[k]	
okp]pk, 06jrb0kin 4d')_2Q	
okp]vj;F]0oN v699,lvikdi,	
okp=bf=yp	=y;k]pNxiu=k
;bl; diwaahk	
okp=yp;c0N :nj9i' 4od^%0%	
okp:boyp mv'ory90N 4od^0)#^	
;bl; dig8in'jv'd]	
okp]pk, 06jrb0kin 4d')_2Q	
,y]Rokdi	
okp]bmTb=yp v6optryoTN 15^["Z4hp.ok	
ok'wku;yp]N d6pt]tir9 LK["	
okp]b]l =^;KN LK["	
DRAWN	DATE
CHECKED	
APPROVED	
F8i'dki xiy]xi6'vk8kileoyd'kolk-k Zleoyd'ko # =yhoX	
muj9&'	
c[[clf'	
c[[clf'8i64y]RN	
FILE NO 0203	DRAWING NO A - 40
DATE 10 / 02 / 2003	SUB TOTAL 46
	GRAND TOTAL

Area-A2(roll) 390x600mm.

