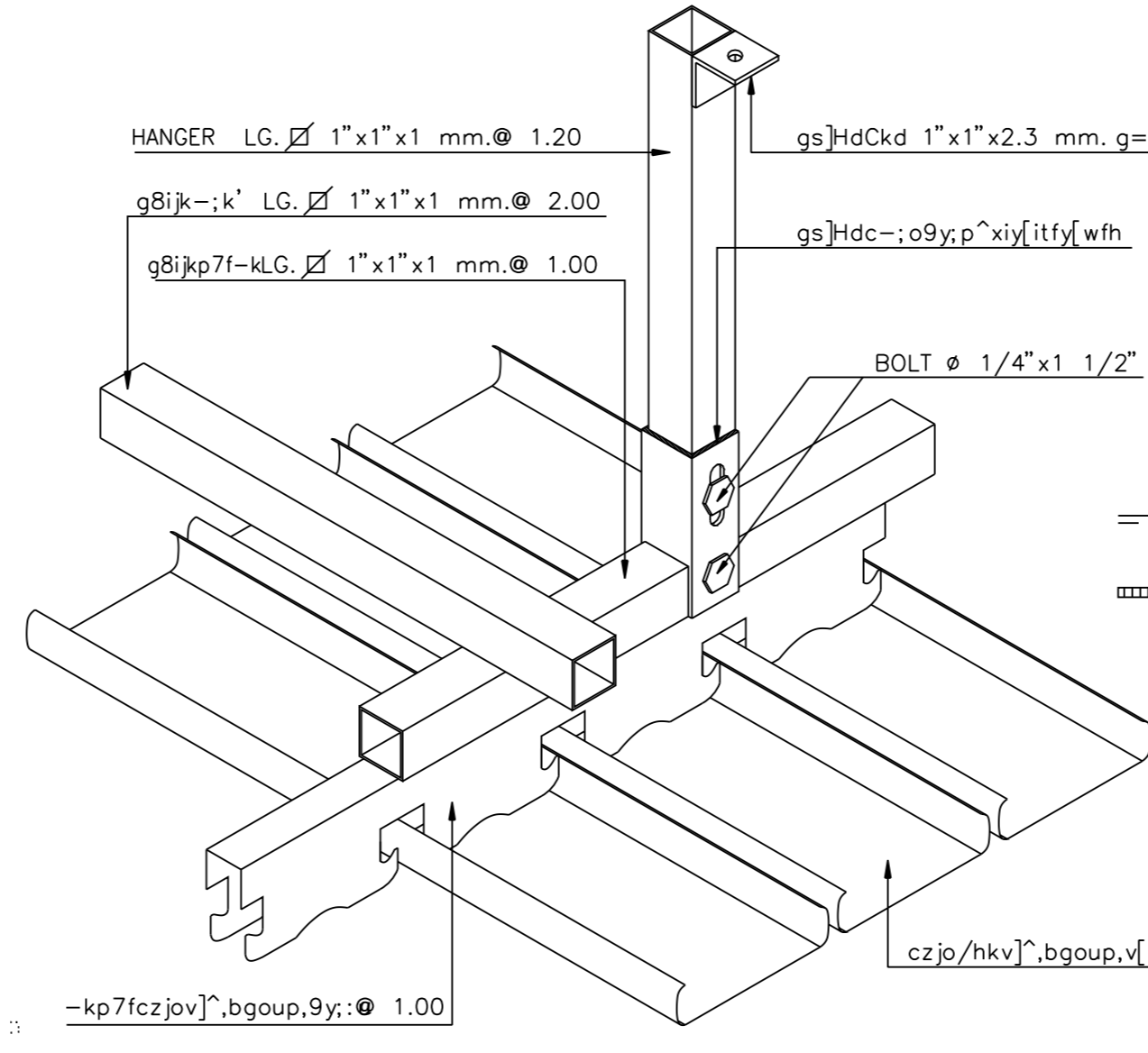
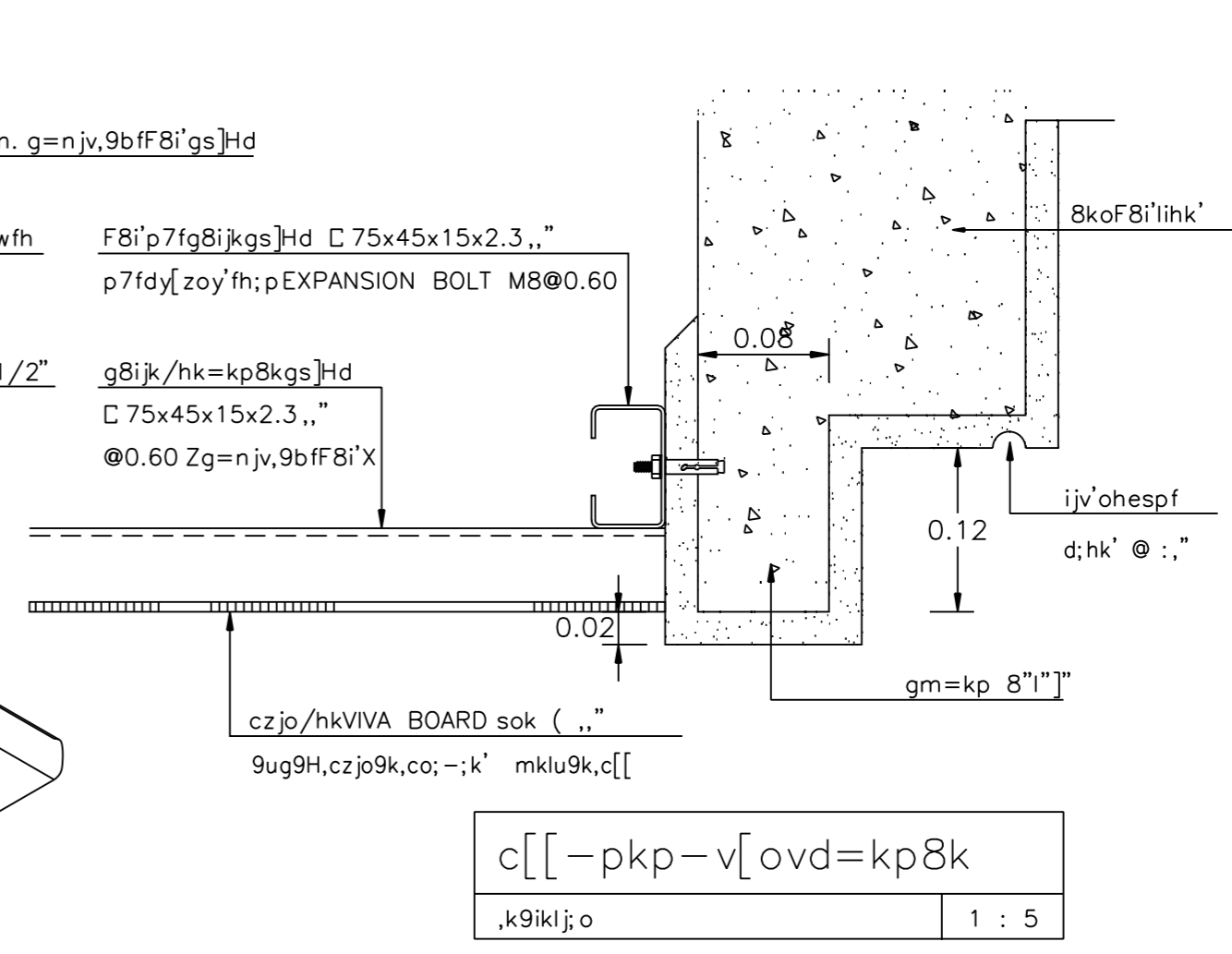


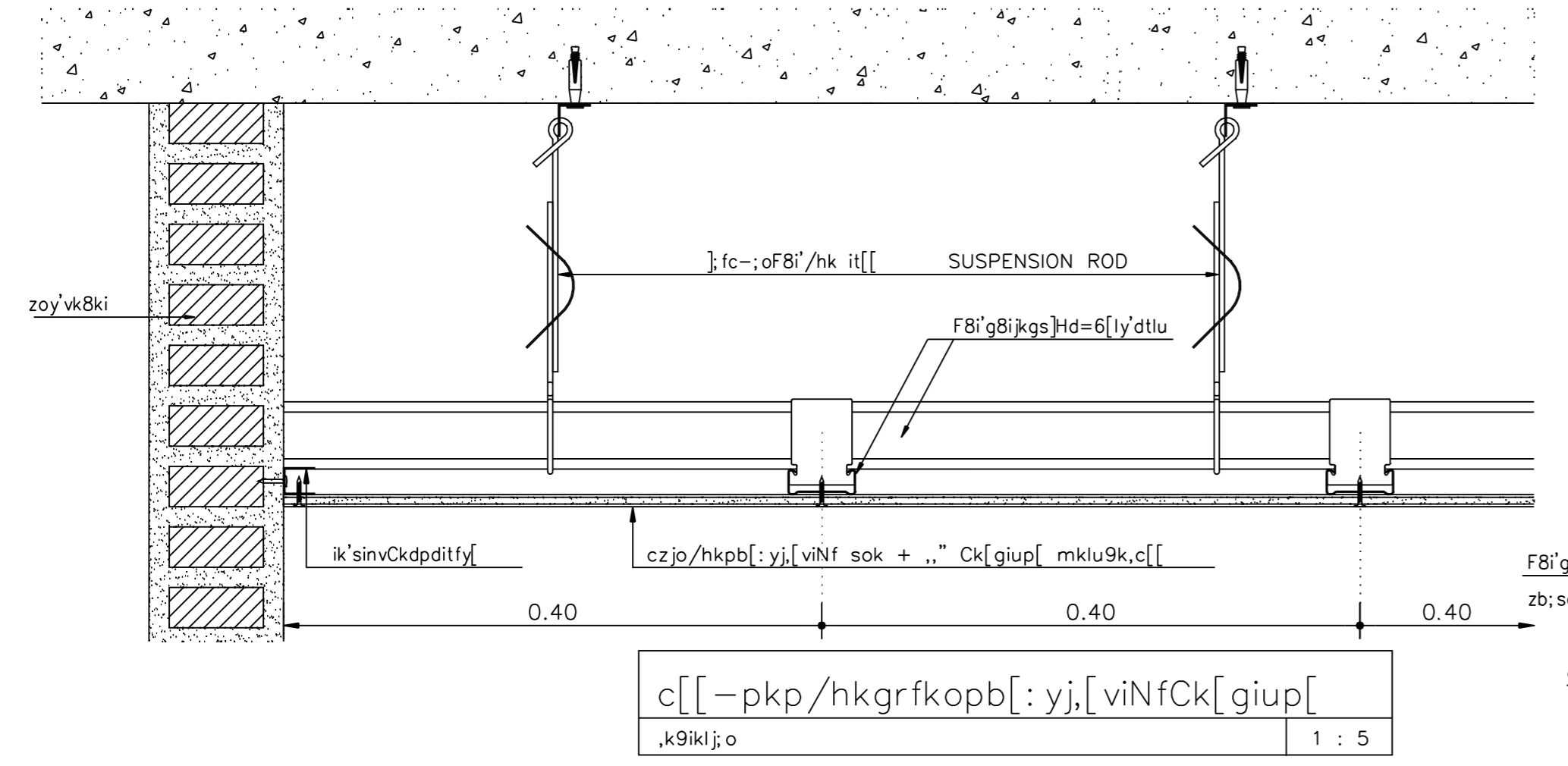
c[[-pkp/hkgrfkov]^,bgoup,g8]nv[lu
.k9iki;o 1 : 5



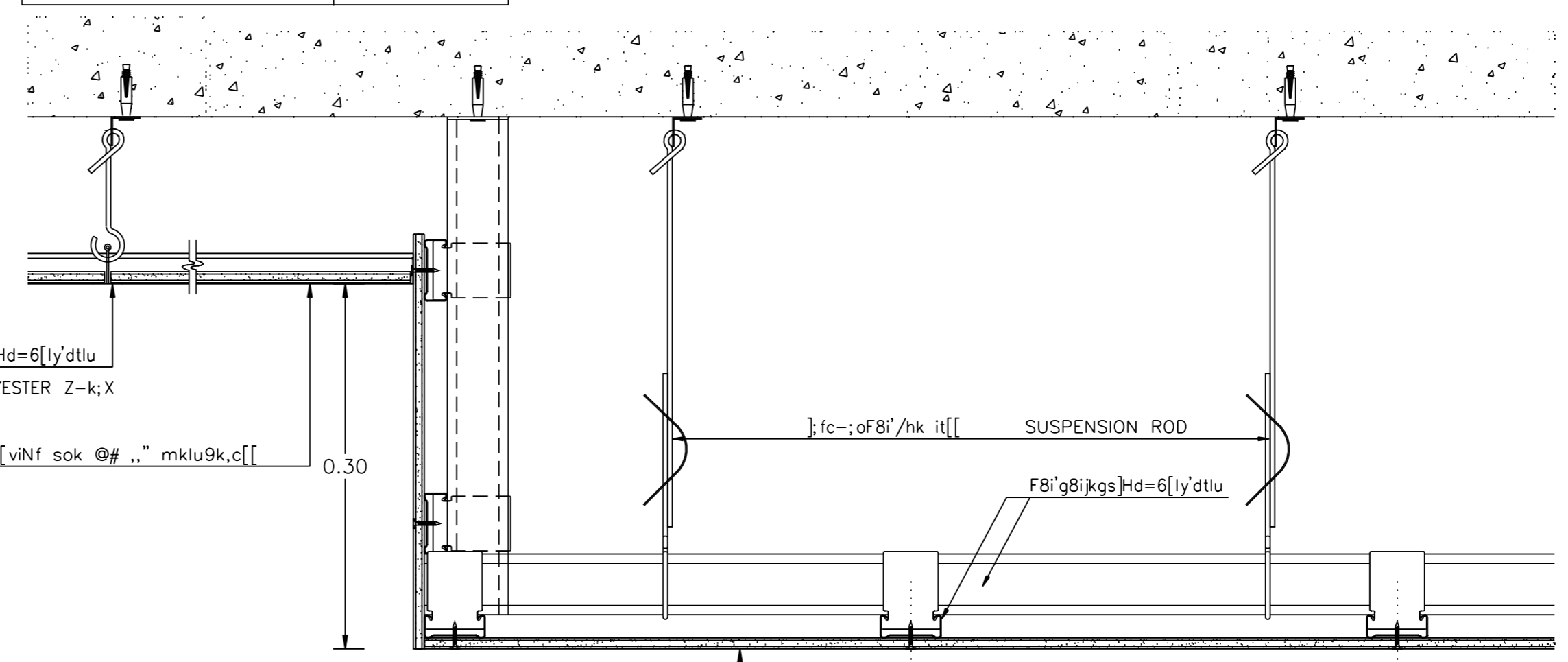
ISOMETRIC /hk v]^,bgoup,g8]nv[lu



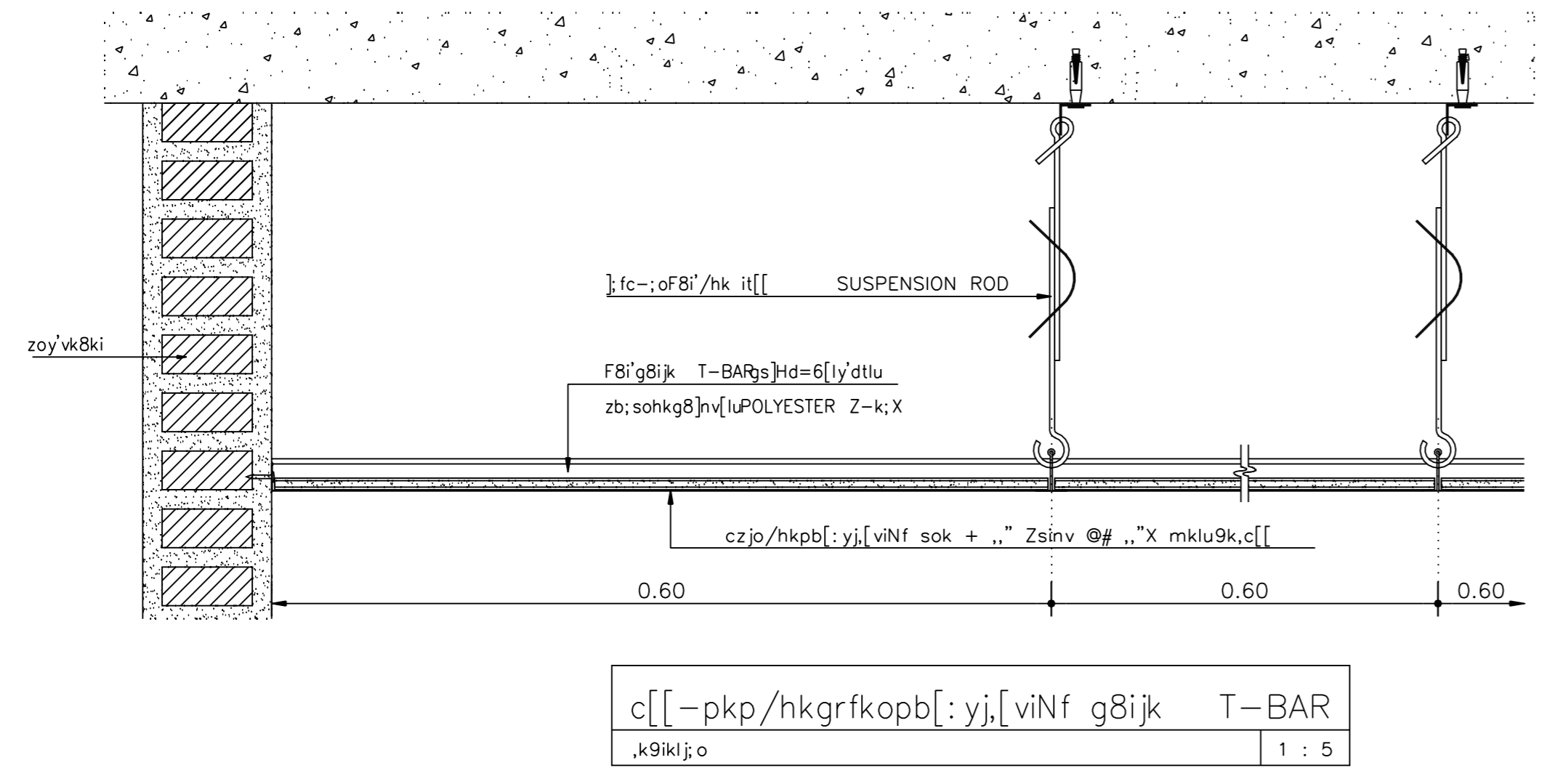
c[[-pkp-v[ovd=kp8k
.k9iki;o 1 : 5



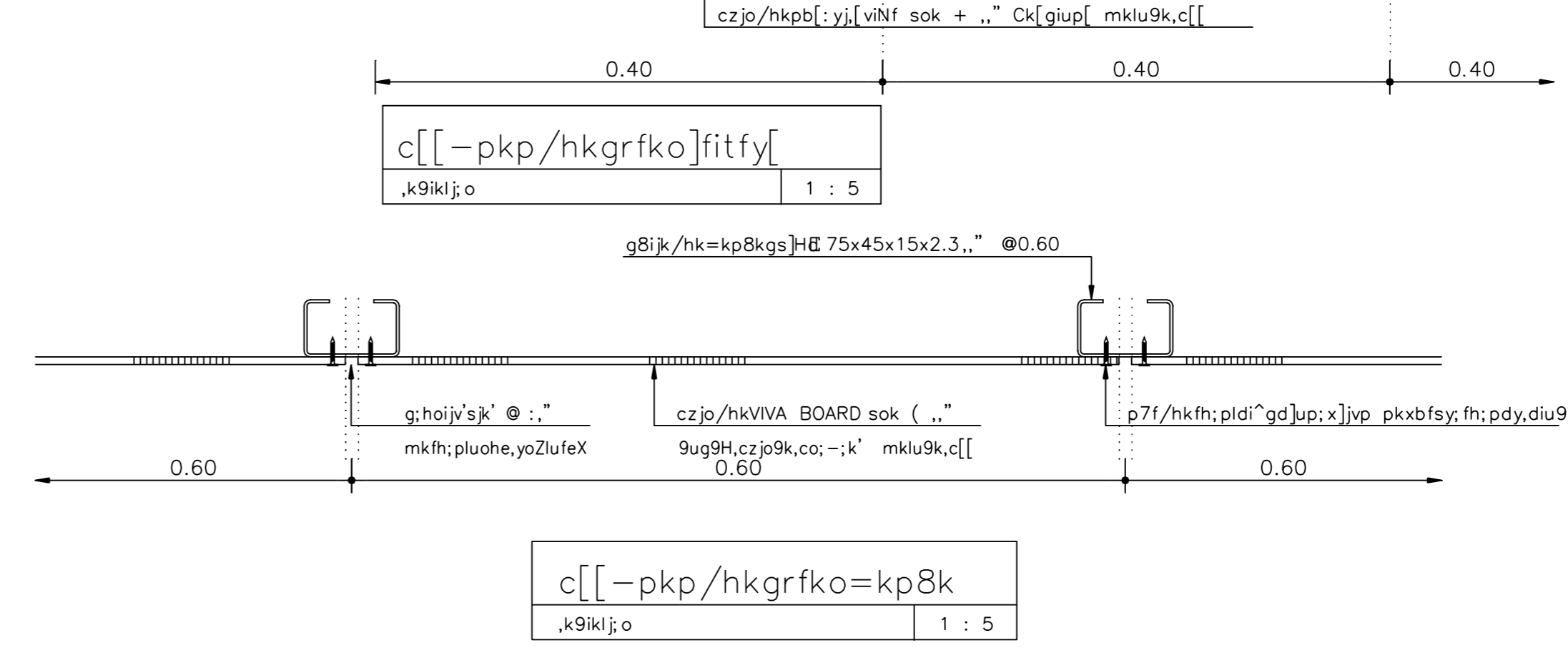
c[[-pkp/hkgrfkop[:yj,[viNfCk[giup[
.k9iki;o 1 : 5



c[[-pkp/hkgrfko]fitfy[
.k9iki;o 1 : 5

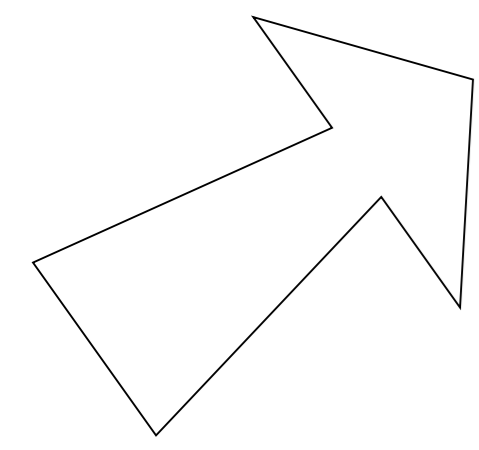


c[[-pkp/hkgrfkop[:yj,[viNf g8ijk T-BAR
.k9iki;o 1 : 5



c[[-pkp/hkgrfko=kp8k
.k9iki;o 1 : 5

REVISIONS	DATE
NOTE	
• ALL DIMENSIONS ARE IN METER UNLESS OTHERWISE INDICATED	
• NO DIMENSION SHALL BE SCALED	
• ALL DRAWINGS ARE THE PROPERTY OF THE AREA CO.,LTD. AND CAN NOT BE USED REPRODUCED OR DUPLICATED WITHOUT PERMISSION	
OWNER	
Tok8kigrn jvdkgdK9i	
c]tsdidkigqK9i	
DESIGNER	
AREA CO.,LTD.	
111/1 Lodprao23 Lodoo Chaluchok Bangkok 10900	
Tel. (662) 5139533-5 Fax. (662) 5139536	
I5kxobd	
v]din 9ik=^	15°00'00"
:yo:yp [6P;ib=pN	15°0'00"
okp:b[]n g0Bp;k;6cb 15°00'00"	
okp:Lu,ycoN ris;6;iii 15°0'00"	
okp:bg=KN g0bPtu["in 115°0'00"	
;bl; diF8i'lihk'	
okp:yoTN -6mikoomN lp'(##)0	
okpoboom mv,k lp'%+\$\$	
;bl; dil6-k4b[k]	
okp:lpk, 06jrb0kin 4d')_20	
okp:vk;FioN v699,lvikdi,	
okp=bf=yp =y:k]pnxiu=k	
;bl; diwaahk	
okp=y;coN :nj9i' 4od'*%0%	
okp:boyp mv'ory90N 4od'00)##	
;bl; dig8in jv'd	
okp:lpk, 06jrb0kin 4d')_20	
,yRokdi	
okp:lbmTb=yp v6optryoTN 15°[24kp,ok	
ok'wku;ypN d6p1Tir9 LK["	
okp:dlit =";KN LK["	
DRAWN	DATE
CHECKED	
APPROVED	
F8i'dki	
xiy]xi6'vk8kileoyd'kolk-k	
Zleoyd'ko \$ =yhoX	
mu]9&'	
c[[-pkp/hkgrfko	
FILE NO	DRAWING NO
0203	A - 28
DATE	
21 / 02 / 2003	
SUB TOTAL	GRAND TOTAL
46	



Area-A2(roll) 390x600mm.

