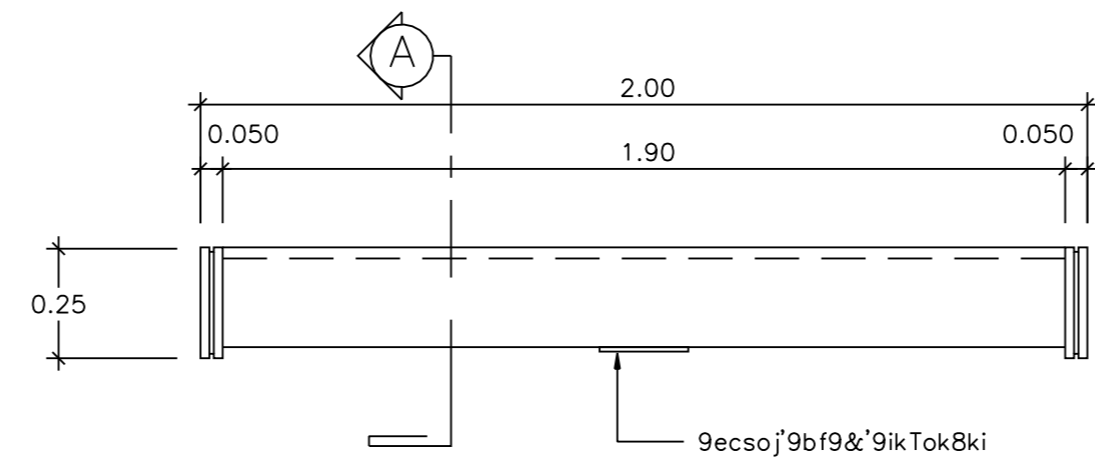
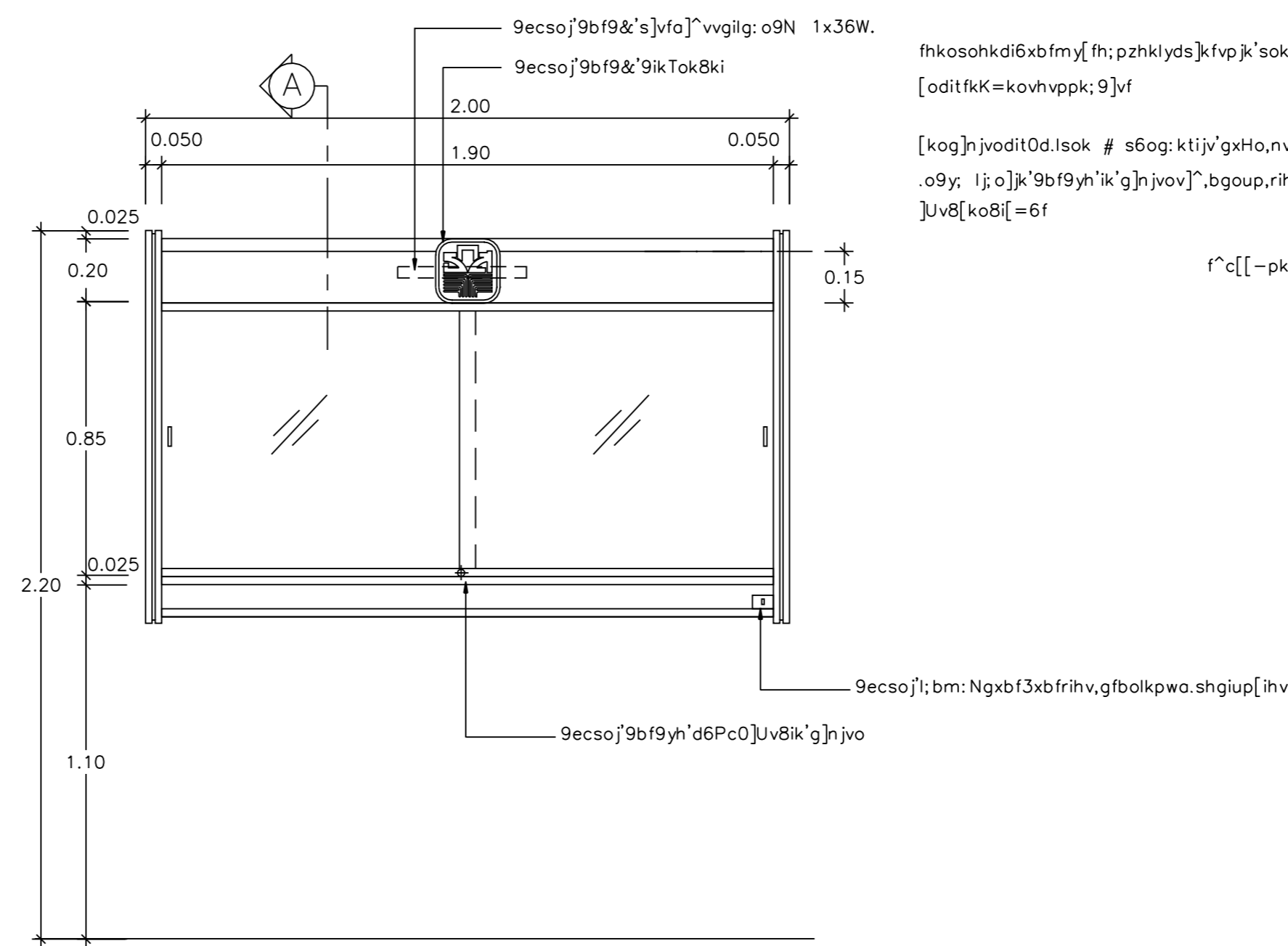


c[[-pkp9ikTok8ki
.k9ikj;o 1:12.5



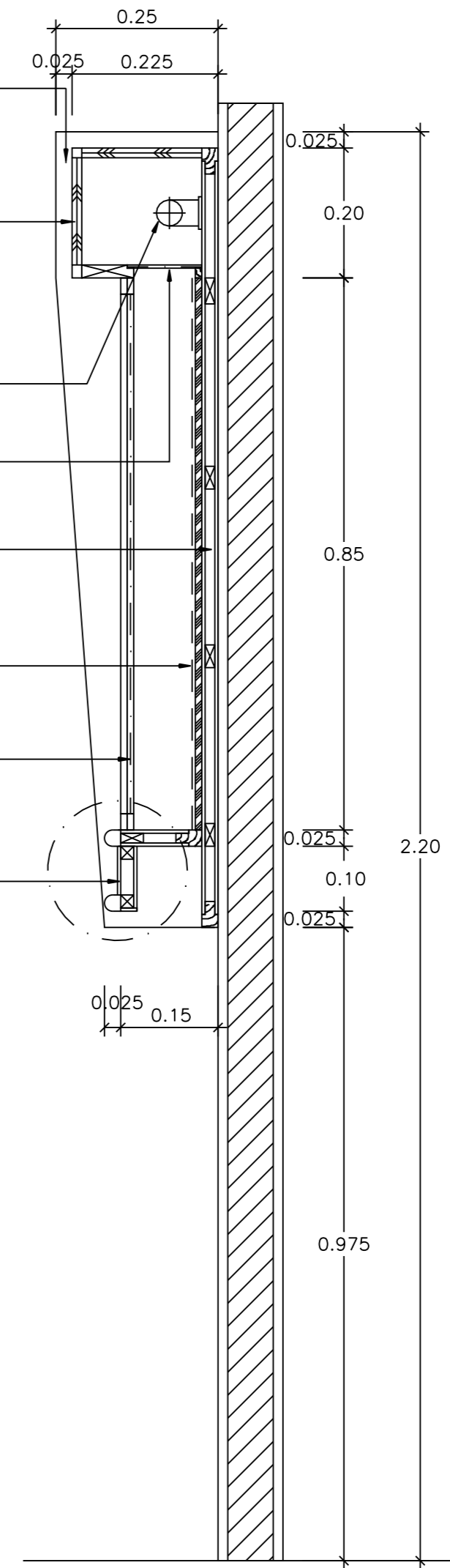
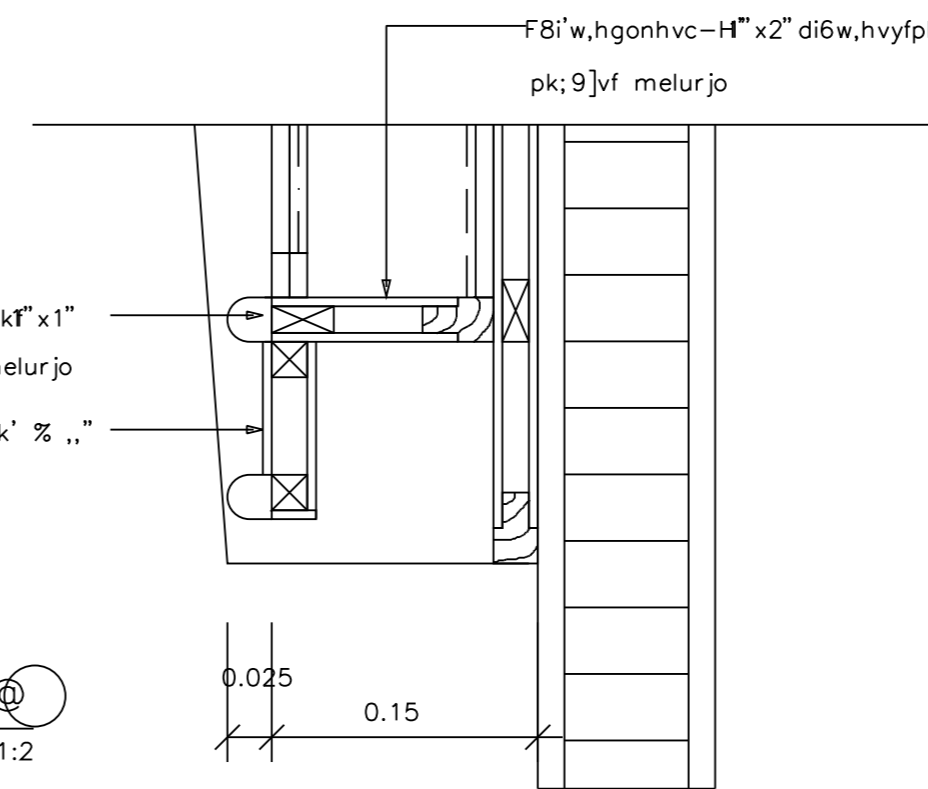
cx]o[vinf9bfxitdkLc[[9^hdit0d
.k9ikj;o 1:20



i^xfkosohk
.k9ikj;o 1:20

8bh;w,hlyd -ok" x1"
i^xi]k'9k,c[[melurjo
F8i'w,hgonhvc-H"x2" di6w,hvyfpk' % .."
xbfmy[fh;pczjor]ki9bd]k,bgom

c[[-pkp
.k9ikj;o 1:2



i^x9y
.k9ikj;o 1:10

zoy'fhko-hk' -v[fhkosohk,hlyd"x1" g:ktijv'
9k,c[[F8i'w,hgonhvc-H" x2" di6w,hvyfpk' fh;pw,h
vyfpk'sok % .."myh' # fhkoz; -yfgiup[rjolu9]vf

di6w,hvyfpk'sok @* .." 9bf-v[w,hlyd
-okf 0.015x0.015," di6czjor]ki9bd
]k,bgom 9i'ajk'9bf9yh'9ikTok8ki
f'c[[-pkp

9ecsoj'9bf9&'s]vfa]"vvgilg:o9N -okf 36 ;y99N
rhiv,v6xdilN8l=6f c]l;bm:Ngxf3xbf
dit0d]kphksok # s6olesiy[[y's]vfa rhiv,
Bbh;iviy]dit0d

zoy'fhkos]y' F8i'w,hgonhvc-H"x2"
di6w,hvyfpk'sok % .." myh' # fhko

fhkosohkdixbfmy[fh;pzkhlyds]fvpk'sok
[aditfkK=kovhvpkk;9]vf

[kog]njvodit0d.Isok # s6og:ktijv'gXHo,nv0y[
.o9y; i;ojk'9bf9yh'ik'g]h'jovv]'.bgoup,rhiv,d6Pc0
Juv8[ko8l=6f

REVISIONS	DATE
NOTE	
• ALL DIMENSIONS ARE IN METER UNLESS OTHERWISE INDICATED	
• NO DIMENSION SHALL BE SCALED	
• ALL DRAWINGS ARE THE PROPERTY OF THE AREA CO.,LTD. AND CAN NOT BE USED REPRODUCED OR DUPLICATED WITHOUT PERMISSION	
OWNER	
Tok8kigrnjvdkigdK9i	
c]tsdidkigqk9i	
DESIGNER	
AREA CO.,LTD.	
111/1 Lodproo23 Lodoo Chaluchak Bangkok 10900	
Tel. (662) 5139533-5 Fax. (662) 5139536	
I5kxobd	
v]din 9ik=^	15°00'04"
yoyyp [6P;ib=pN	15°0°'4"
okp:bl["]bn g0Bp;ik;6cb	15°00'04"
okpLiu;yc0N ris;6;iii	15°'4'4"
okp:bg=KN g0bPtu["in	15°'0'4"
;bl; dif8'i'lihk'	
okp]y;yoTN -6mikoorn lp'(#)0	
okpobookm mv,k	lp'#+\$
;bl; dil6-k4b[k]	
okp]pk, 06jorb0kin 4d')_20	
okp]vj;Fio0N v699,lvkidi,	
okp=bf=yyp =y=k]pnxiu=k	
;bl; diwaahk	
okp=y;yc0N :nj9i' 4od" *%0%	
okp:boyp mv'ory90N 4od"0) #*	
;bl; dig8in jv'd]	
okp]pk, 06jorb0kin 4d')_20	
,yRokdi	
okp]bmTb=yv v6optryoTN 15[" 24hp,ok	
ok'wku;yp]N d6p1Tir9 LK["	
okp]blit =";KN LK["	
DRAWN	DATE
CHECKED	
APPROVED	
F8i'dki	
xiy]xi6'vk8kileoyd'kolk-k	
Zleoyd'ko # =yhoX	
muj9&'	
c[[ctf'	
c[[-pkp]vinf9bfxitdkL	
F-3	
FILE NO	DRAWING NO
0203	A - 44
DATE	
10 / 02 / 2003	
SUB TOTAL	GRAND TOTAL
46	

Area-A2(roll) 390x600mm.

