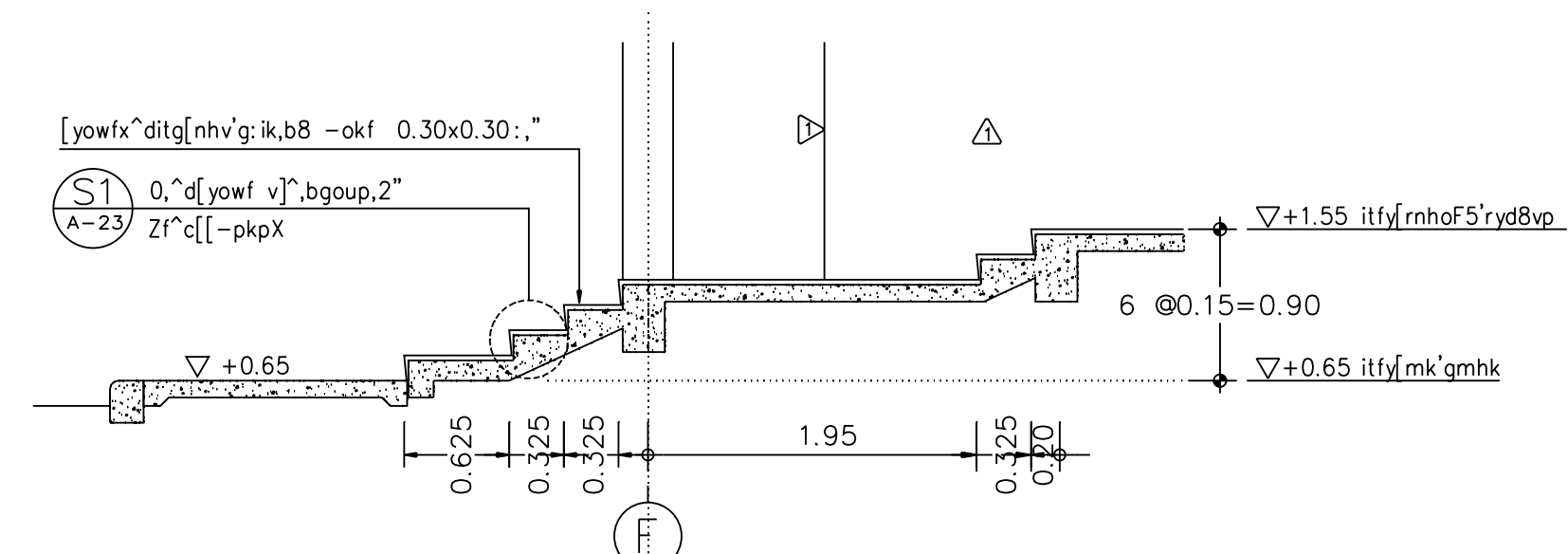
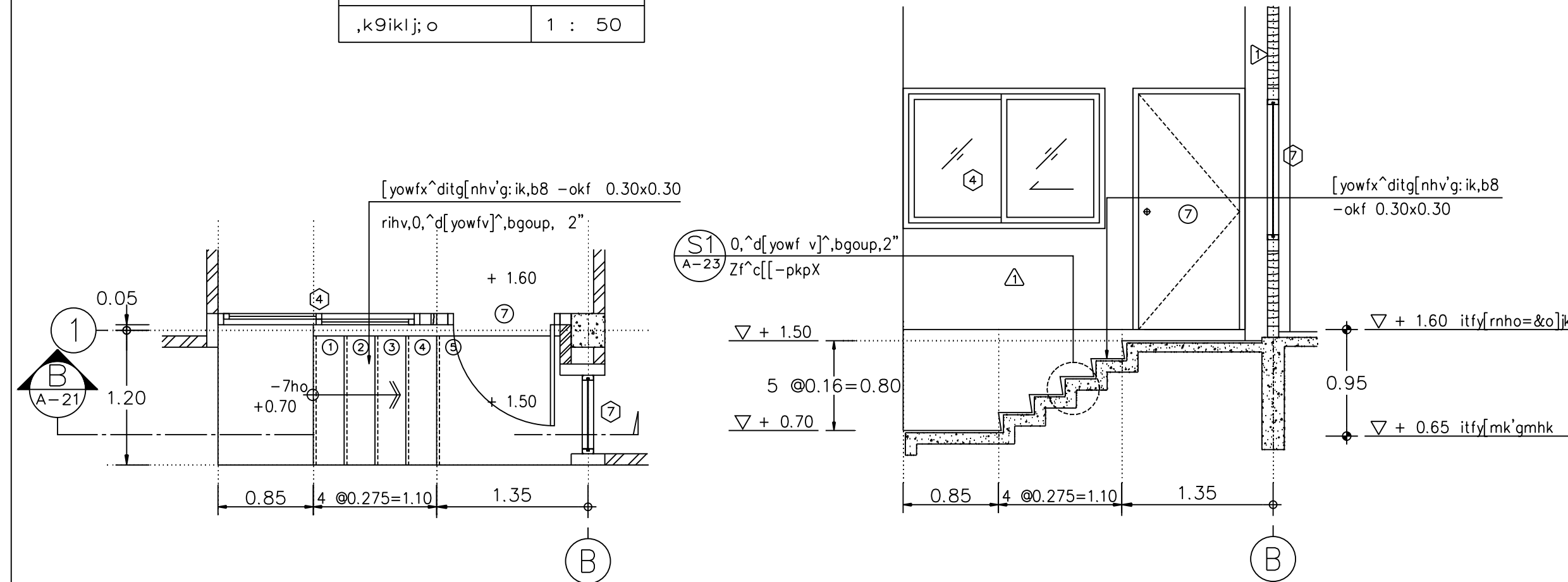


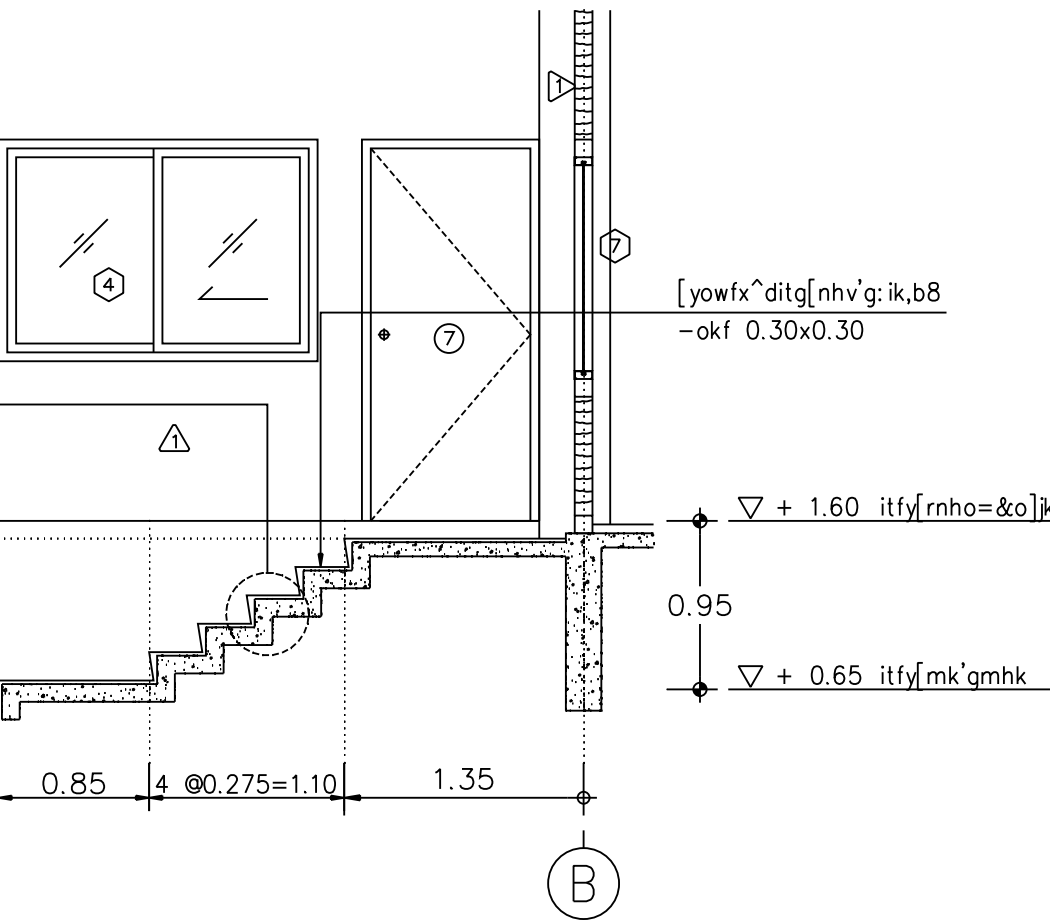
cx]o-pkp[yowf ST 1  
 ,k9ikl; o 1 : 50



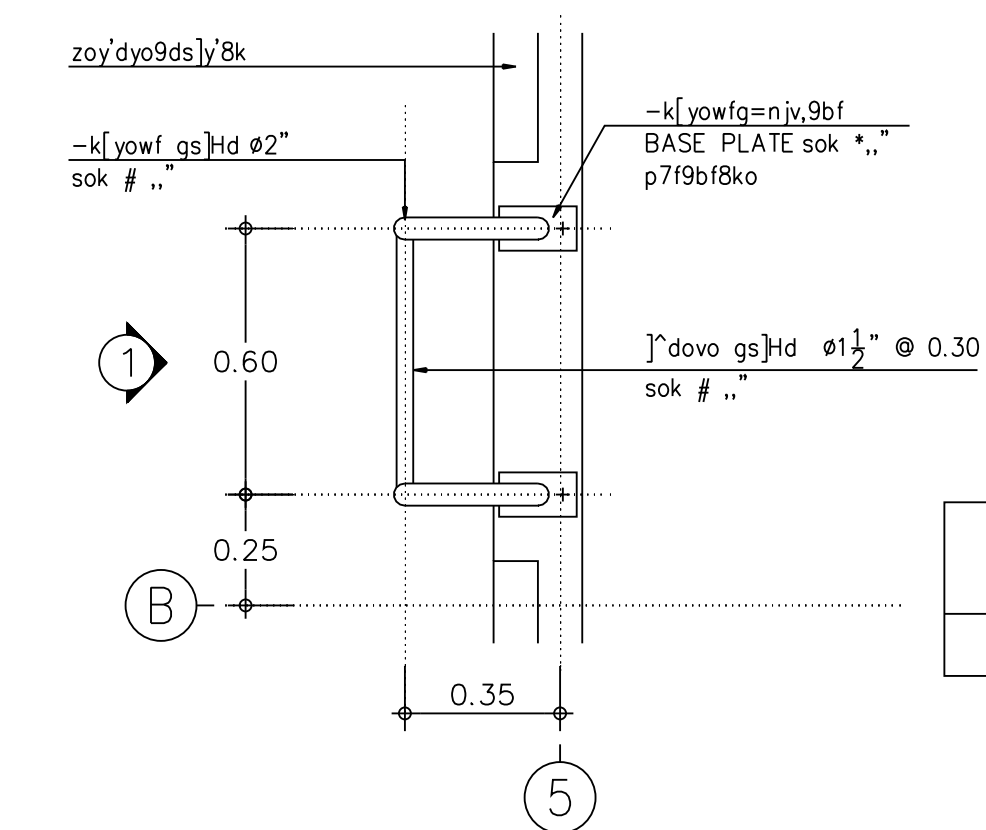
i^x9yf A  
 ,k9ikl; o 1 : 50



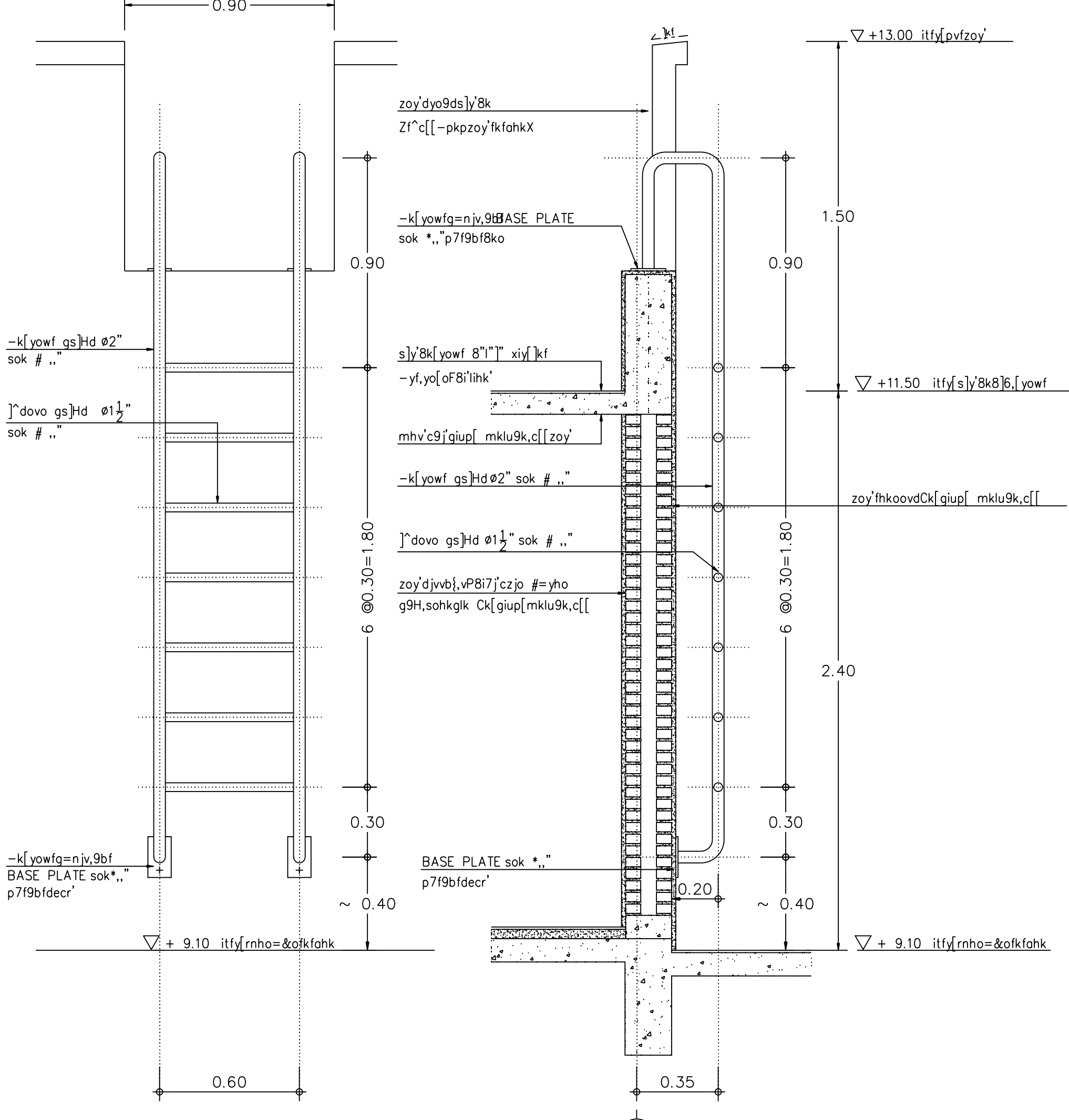
cx]o-pkp[yowf ST 3  
 ,k9ikl; o 1 : 50



i^x9yf B  
 ,k9ikl; o 1 : 50



cx]o-pkp[yowf ST 4  
 ,k9ikl; o 1 : 20



i^xfhko-pkp 1  
 ,k9ikl; o 1 : 20

i^x9yf-pkp ST4  
 ,k9ikl; o 1 : 20

REVISIONS		DATE
A	c[[d]vnhk'	15/02/2000
NOTE		
• ALL DIMENSIONS ARE IN METER UNLESS OTHERWISE INDICATED		
• NO DIMENSION SHALL BE SCALED		
• ALL DRAWINGS ARE THE PROPERTY OF THE AREA CO.,LTD. AND CAN NOT BE USED REPRODUCED OR DUPLICATED WITHOUT PERMISSION		
OWNER		
Tok8kigrnjvdkigdk9i		
c]tsaidkigqk9i		
DESIGNER		
AREA CO.,LTD.		
111/1 Ladproo23 Ladproo Chatuchak Bangkok 10900		
Tel. (662) 5139533-5 Fax. (662) 5139536		
I5kxobd		
v]dln 9k="	15"ØØ#1	
i:yo=yp [6P;lb=pN	15"Ø#4	
ri=yp db9b;ikilki	15"Ø#4	
ASSISTANT ARCHITECT		
gdup'wdi dlo6;LN		
:bL;di		
kol 0"Pr'KNlyfBn	lp'20#5	
v]dln 9k="	lp'18#3	
i[[[6-k4b[k]		
l64ymi ;ktb=pN06]	lod'Ø#%	
i[[[ waahk		
[i0' g0bPab0r']z]	:ad'Ø#	
i[[[ g8injv'd		
lyf ob9bro	is'Ø#%	
DRAWN		
[brny s;yl;ug]bl		
CHECKED		
APPROVED		
F8i'dki		
vk8kileoyd'kolk-k		
muj9&'		
v' liirpk 0" =ypokm		
c[[clf'		
c[[ -pkp[yowf ST-1		
c[[ -pkp[yowf ST-3		
c[[ -pkp[yowf ST-4		
FILE NO	DRAWING NO	
9910	A - 21	
DATE		
15 / 02 / 2000		
GRAND TOTAL	SUB TOTAL	

Area-A2(roll) 390x600mm.



