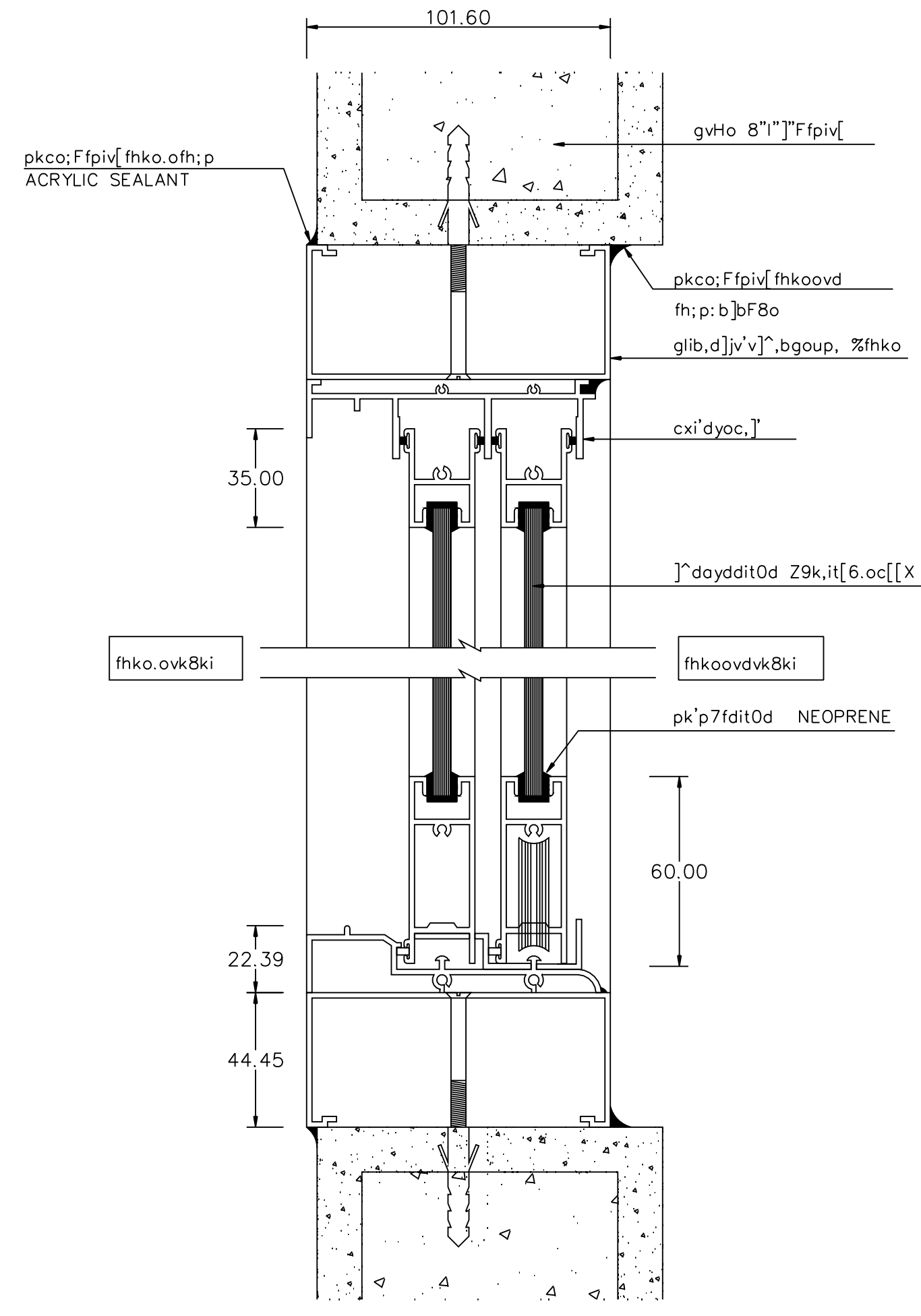
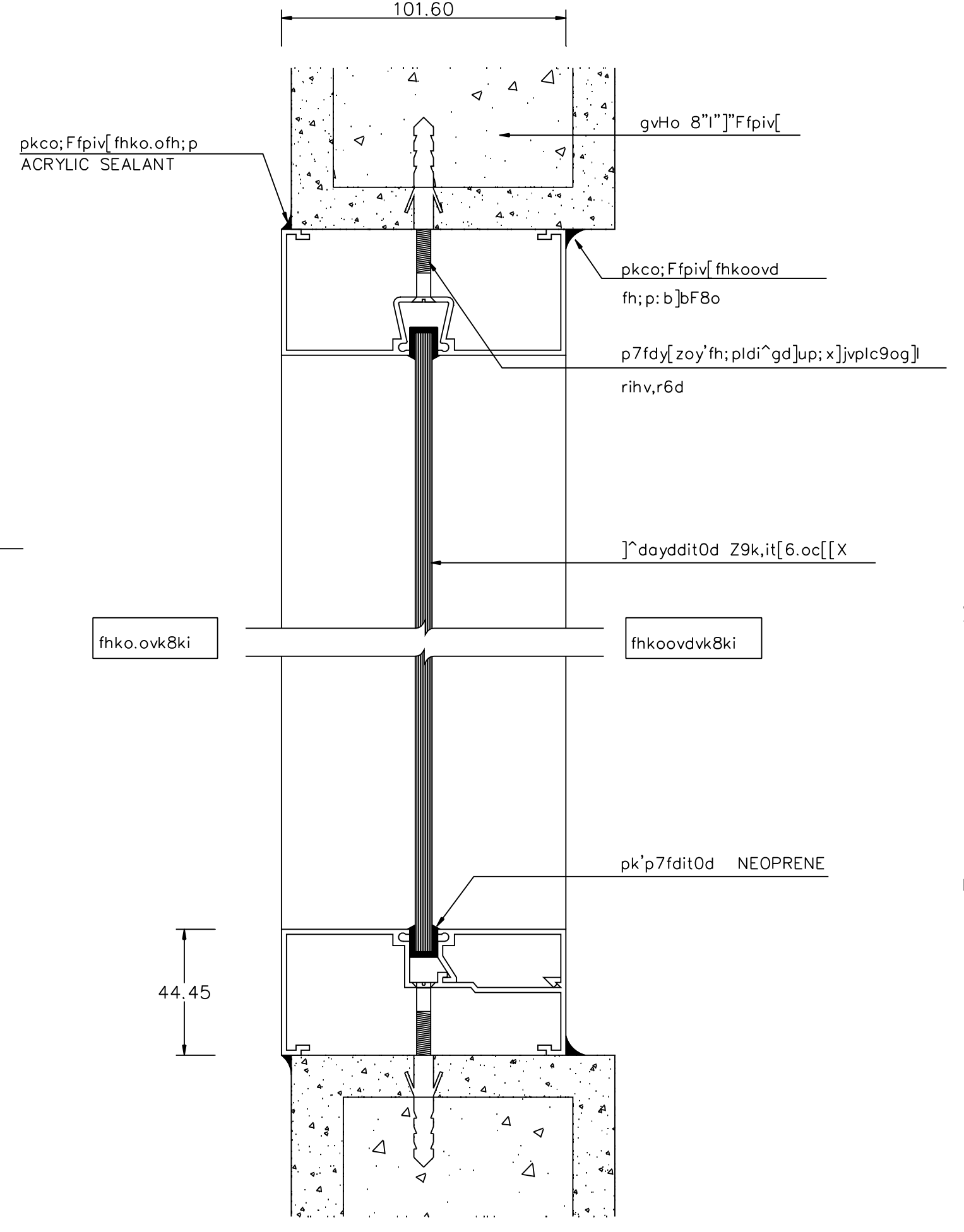


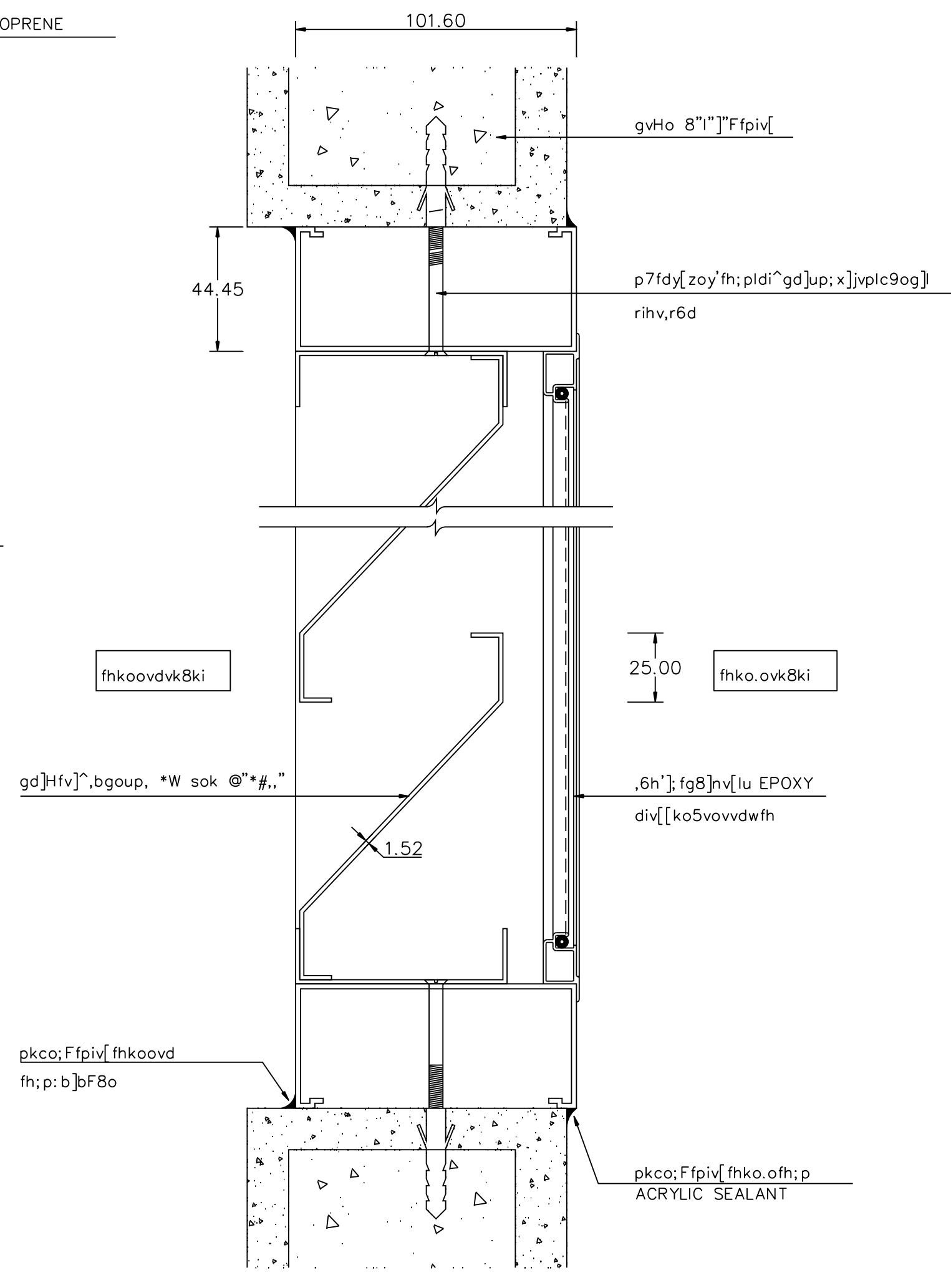
cx]o soh9jk'[kog]n jvov]^,bgoup,  
 .k9ikl;:o 1 : 2



i^x9yfoh9jk'[kog]n jvov]^,bgoup,  
 .k9ikl;:o 1 : 2



i^x9yf[kogd]Hfv]^,bgoup,  
 .k9ikl;:o 1 : 2



i^x9yf[kogd]Hfv]^,bgoup,9bf9kp  
 .k9ikl;:o 1 : 2

1. w.j.shp7fs,6f (RIVET) fhkosohk-v'gd]Hf
2. [kogd]Hfsohk9jk' 1)w.j9h'v9bf,6h';f

REVISIONS	DATE
A c[[d]virk'	15/02/2000

NOTE  
 • ALL DIMENSIONS ARE IN METER UNLESS OTHERWISE INDICATED  
 • NO DIMENSION SHALL BE SCALED  
 • ALL DRAWINGS ARE THE PROPERTY OF THE AREA CO.,LTD. AND CAN NOT BE USED REPRODUCED OR DUPLICATED WITHOUT PERMISSION

OWNER  
 Tok8kigrn jvdkgdK9i  
 c]tsdildkigqk9i

DESIGNER  
**AREA** AREA CO.,LTD.  
 111/1 Lodproo23 Lodyoo Chutuchok Bangkok 10900  
 Tel. (662) 5139533-5 Fax. (662) 5139536

15kxobd  
 v]dlin 9ik=^ 15°00'00"  
 :yo=yp [6P;ib=pN 15°0°#4  
 rie=yp d9b;ixiliki 15°#\*#4  
 :b]n g9bP;k;6d 15°00'00"

ASSISTANT ARCHITECT  
 gdup'w'di clo6;LN  
 ;bl; dif8i'lihk'  
 .kot 0i^PrXNlydbN ip°#2#  
 v]dlin 9ik=^ ip°#3#  
 foyp i;k'FC; ip°#\*#-  
 ;bl; dil6-k4b[k]  
 i64ymi ;ktb=pNd6] lod°#%\_  
 Lbib=yp Oyo9iud6] x;!"  
 ;bl; diwaahk  
 [iio' g9bPab0r^]z] :od°#(##  
 =yp;ycolN :nj9i' 4od°#%0%  
 ;bl; dig8in jv'd]  
 ly' ob9bro id°#%\_#  
 ,yRokdi  
 ruil69 i6;idp;t;bdpN 15°#\*#04  
 lbtmTb=yp v6joptryd9i' 24kp.oX  
 DRAWN [bry9i s.y]luj]bl DATE  
 CHECKED

APPROVED  
 F8i'dki  
 vk8kileoyd'kolk-k  
 muj9&'  
 v' liirpk 0" =ypokm  
 c[[ctf'  
 c[[ -pkp,k9i]ko  
 xi19^ 3 soh9jk'

FILE NO	DRAWING NO
9910	A - 15
DATE 15 / 02 / 2000	
SUB TOTAL	GRAND TOTAL

Area-A2(roll) 390x600mm.

