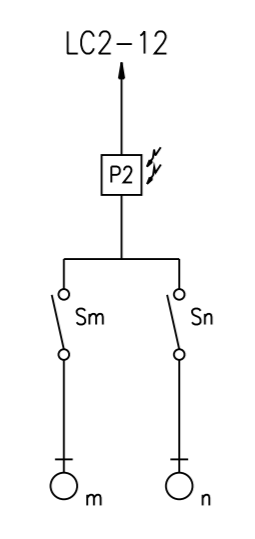


FIRE ALARM SYSTEM

NOTE
 1. FIRE ALARM CONTROL PANEL (FCP) SHALL BE EQUIPPED AS FOLLOWING: -
 - DETECTOR ZONE (DZ#...) = 1 ZONES.
 - ALARM ZONE (AZ#...) = 1 ZONES.
 - SEAL LEAD ACID BATTERY WITH AUTOMATIC CHARGER,
 BATTERY CAPACITY 24 HOURS FOR SUPERVISED
 AND 15 MINUTES FOR GENERAL ALARM.

SYMBOLS
 1. [F] = ALARM BELL DIA 6"
 2. [F] = FIRE ALARM MANUAL STATION
 3. [R] = RATE-OF-RISE WITH FIXED TEMPERATURE DETECTOR
 4. [S] = SMOKE DETECTOR IONIZATION TYPE
 5. [EOL] = END OF LINE RESISTER

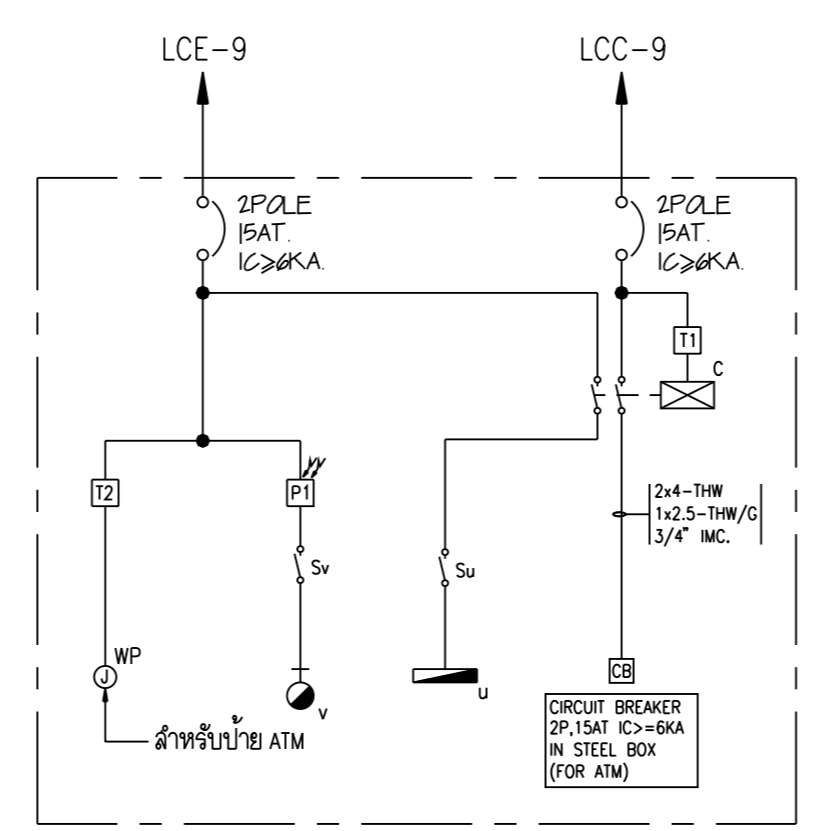


ไดอะแกรมไฟแสงสว่าง รอบอาคาร

TELEPHONE SYSTEM

SYMBOLS
 [X] = CROSS CONNECT MODULAR TYPE TERMINAL (MDF)
 [V] = INTERNAL TELEPHONE OUTLET 4-WIRE MODULAR JACK FCC STANDARD
 [] = FLOOR TELEPHONE TERMINAL CABINET

ABBREVIATION
 MDF = MAIN DISTRIBUTION FRAME EQUIPPED 70 PAIRS CAPACITY 100 PAIRS EQUIPPED 10 PAIRS GAS TUBE ARRESTER
 TCx = FLOOR TELEPHONE CABINET EQUIPPED 20 PAIRS CAPACITY 40 PAIRS
 OTC = OUTDOOR TYPE TELEPHONE CABINET capacity 40 PAIRS EQUIPPED 20 PAIRS W/GAS TUBE ARRESTER DROP WIRE TYPE, for TOT LINE and EQUIPPED 10 PAIRS W/GAS TUBE ARRESTER DROP WIRE TYPE, for LEASED LINE
 TC-WAN = FLOOR TELEPHONE CABINET IN COMPUTER RM. capacity 40 PAIRS EQUIPPED 10 PAIRS W/GAS TUBE DROP WIRES TYPE. (FOR LEASED LINE) & 10 PAIRS QUICK CONNECTOR
 KSU = KEY TELEPHONE SWITCHING UNIT MIN CAPACITY 6 CO/ 24 EXT. W/SEAL LEAD ACID BATTERY WITH AUTOMATIC CHARGER, BATTERY CAPACITY 8 HOURS FOR OPERATED



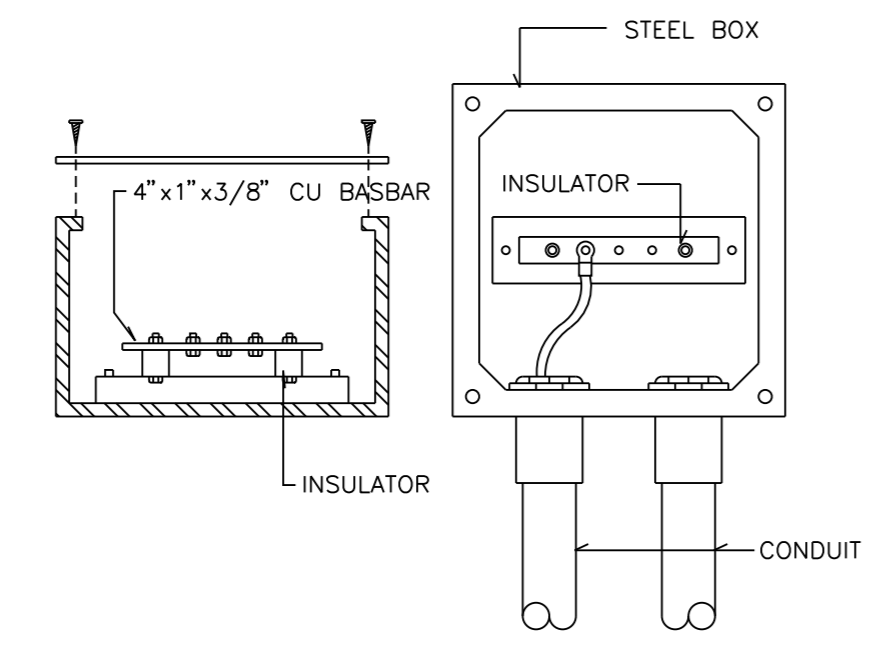
วงจรไฟฟ้าสำหรับห้อง ATM

หมายเหตุ
 [T1] = TIMER SWITCH เวลา 07.00-22.00 น.
 [T2] = TIMER SWITCH เวลา 18.00-06.00 น.
 [C] = CONTACTOR BOX สำหรับควบคุมการทำงานของตู้รับฝากสำหรับเครื่อง ATM และอุปกรณ์ไฟฟ้าต่างวงจรตามที่ระบุซึ่งควบคุมการเดินเปิดตามเวลานับ [T1] โดย CONTACTOR และตู้จะต้องมีขนาดเหมาะสมไม่น้อย 30 A.

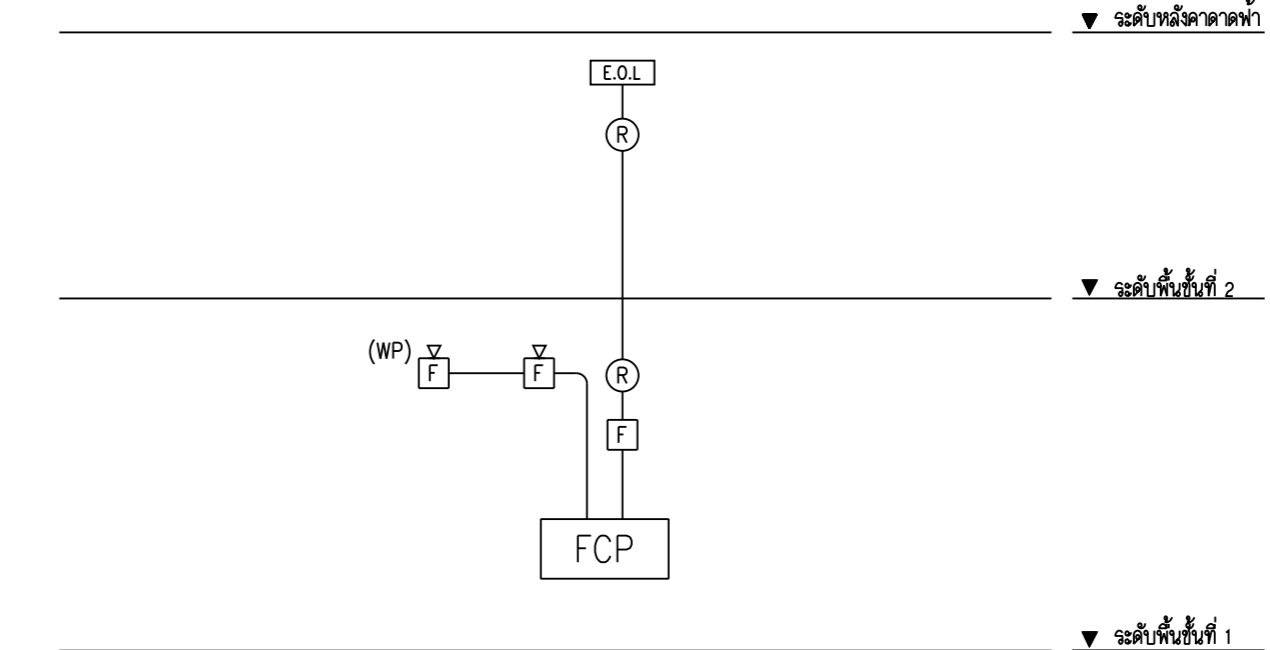
A/C DETAIL
 [] = FUSIBLE SAFETY SWITCH 2P, 30A 250VAC NEMA 3R
 [1] = 2x2.5-THW, 1x1.5-THW/G, 1/2" IMC.
 [2] = 2x4-THW, 1x2.5-THW/G, 1/2" IMC.
 [3] = 2x6-THW, 1x4-THW/G, 3/4" IMC.

MATV SYSTEM

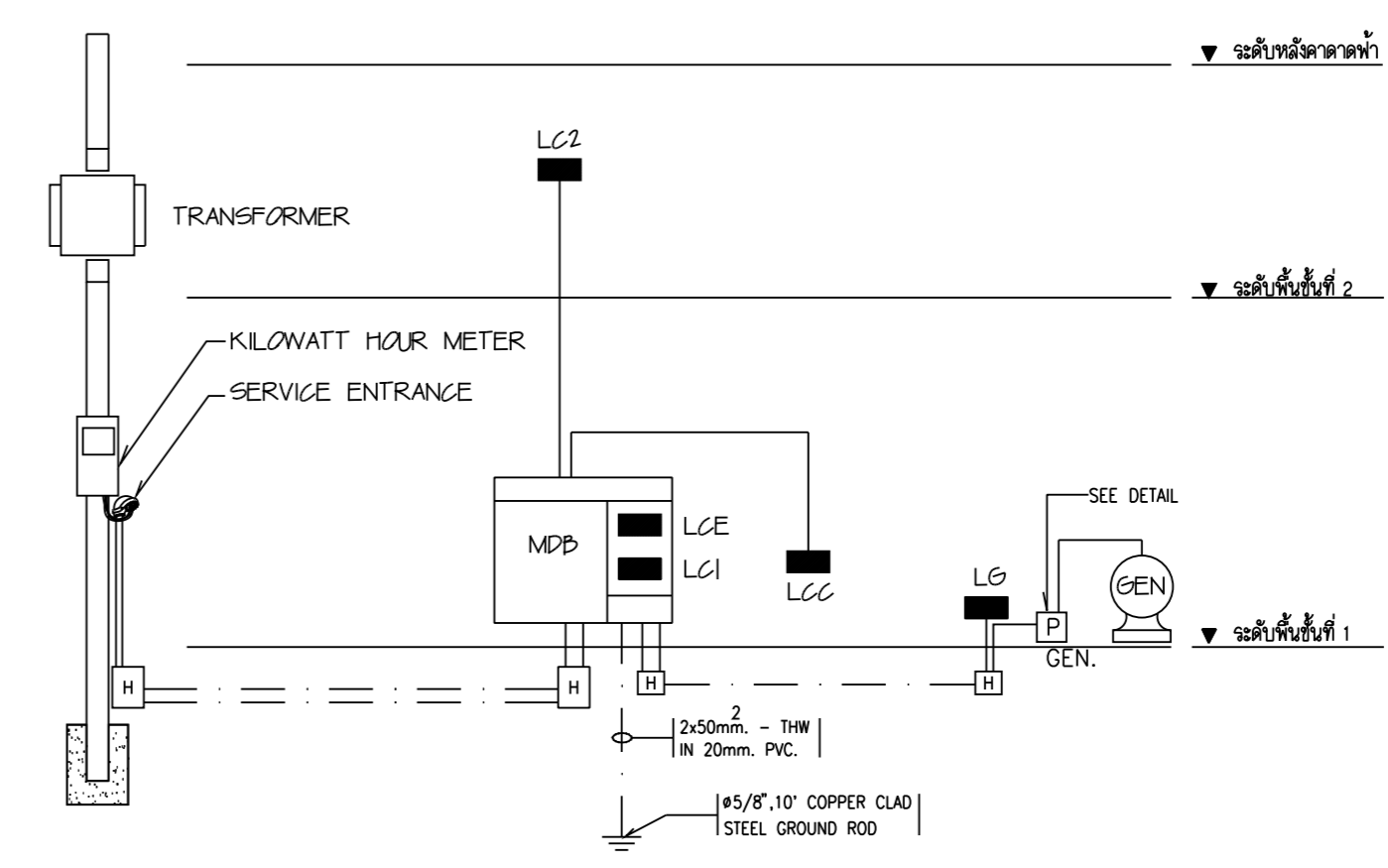
SYMBOLS
 1. — RG-6 COAXIAL CABLE OR SPECIAL CABLE AS REQUIRED IN CONDUIT FOR BETWEEN TAP-OFF (OR SPLITTER) AND DUAL TV OUTLET
 2. [] TV OUTLET
 3. SPLITTER & TAP-OFF
 4. [] 4 WAY SPLITTER (F-CONNECTOR TYPE)
 [] END RESISTER
 [] DECODER AND 2 SETS OF RECEIVER
ด้านหนึ่งติดตั้ง DECODER & RECEIVER จะระบุภายหลัง



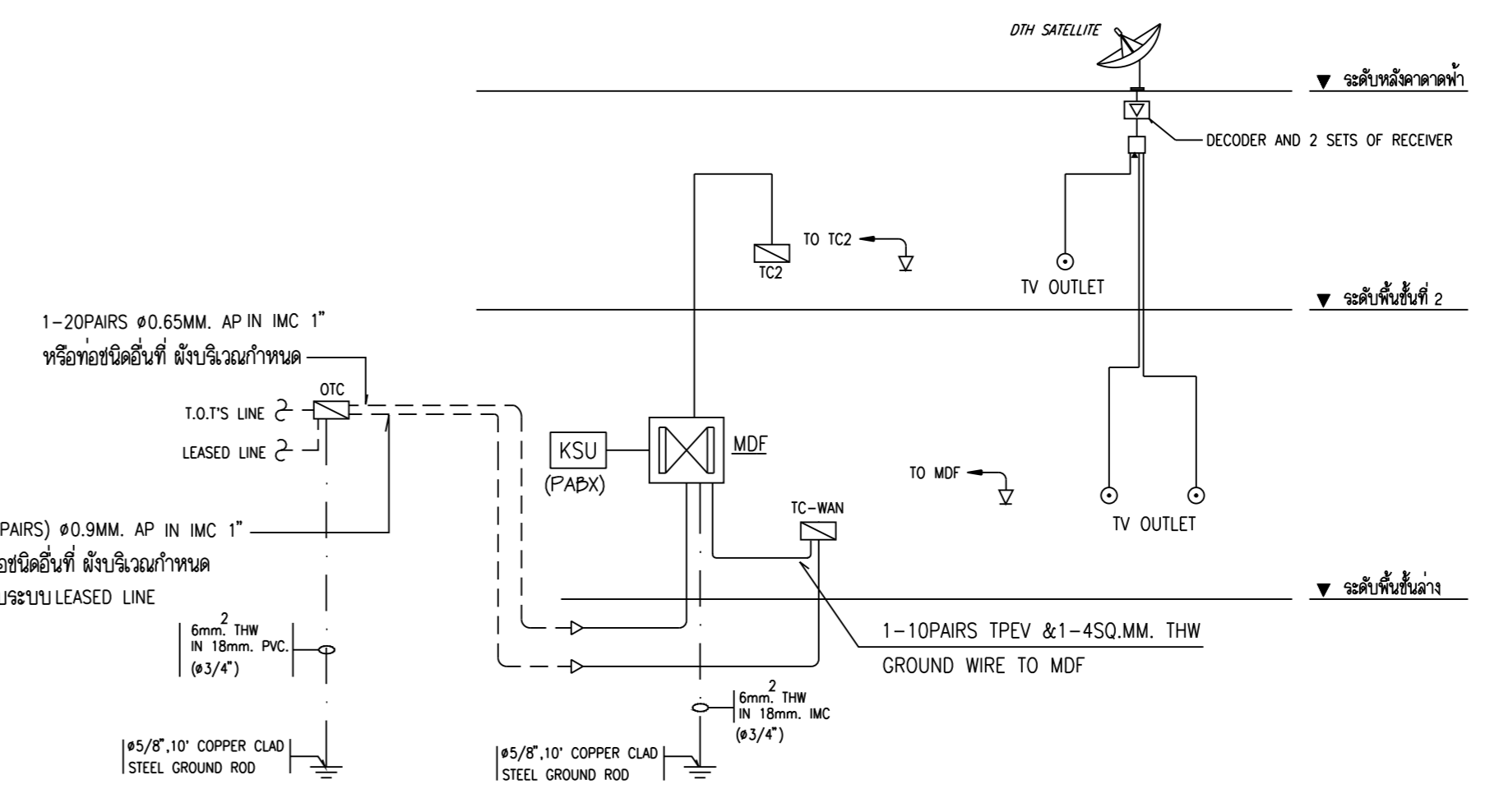
DETAIL FOR GROUND BOX IN COMPUTER ROOM



FIRE ALARM RISER DIAGRAM



POWER SYSTEM RISER DIAGRAM



TELEPHONE & MATV SYSTEM RISER DIAGRAM

REVISIONS	DATE
<p>NOTE • ALL DIMENSIONS ARE IN METER UNLESS OTHERWISE INDICATED • NO DIMENSION SHALL BE SCALED • ALL DRAWINGS ARE THE PROPERTY OF THE AREA CO.,LTD. AND CAN NOT BE USED REPRODUCED OR DUPLICATED WITHOUT PERMISSION</p>	
<p>OWNER Tok8kign jvdkgdK9i c]tsidldkigdkK9i</p>	
<p>DESIGNER 111/1 Lodpro23 Ladsoo Chulachok Bangkok 10900 Tel. (662) 5139533-5 Fax. (662) 5139536</p>	
<p>ISkxobd</p>	
<p>v]din 9ik=^ ลิน.1013ล</p>	
<p>:yo=y [P;Ib=pN ลิน.1547ล</p>	
<p>okp:b[]jN gObP;K;6cb I5"000#"</p>	
<p>okpLuu;yoN ris;I6;Iil I5"5"554"</p>	
<p>okp:bg=KN gObP[u["IN IIS"0) (#</p>	
<p>;bl; dif8'i'lihk'</p>	
<p>okp;y;yoTN -6mikoomN lp" (#)0</p>	
<p>okpobookm m'v,k lp"%+\$\$\$</p>	
<p>;bl; diI6-k4b[k]</p>	
<p>okpIpK_06jrbOkIN 4d")_2Q</p>	
<p>okp;vj;FIoN v699,1xikdi,</p>	
<p>okp=bf=yj =y;k;knxiu=k</p>	
<p>;bl; diwaahk</p>	
<p>okp=y;yoN :n;vj' 4od"%00%</p>	
<p>okp;boyp m'v'ory90N 4od"0) #*</p>	
<p>;bl; dig8in'j'vd]</p>	
<p>okpIpK_06jrbOkIN 4d")_2Q</p>	
<p>;yRokdi</p>	
<p>okpIbmTb=yj v6optryoTN I5"[24kp.ok</p>	
<p>ok'v'v'u;yoN d6ptIris LK["</p>	
<p>okp;blil =":KN LK["</p>	
DRAWN	DATE
CHECKED	
APPROVED	
<p>F8'i'dki xiy[xi6'vk8kileoyd'kolk-k Zleoyd'ko # =yhoX</p>	
<p>muj9&'</p>	
<p>c[cl'f' ไดอะแกรมระบบรับสัญญาณภาพ, ระบบโทรศัพท์ ระบบแจ้งสัญญาณเพลิงไหม้ ระบบโทรทัศน์วงจรรวม</p>	
FILE NO 0203	DRAWING NO EE-07
DATE 05 / 02 / 2003	
SUB TOTAL 13	GRAND TOTAL

