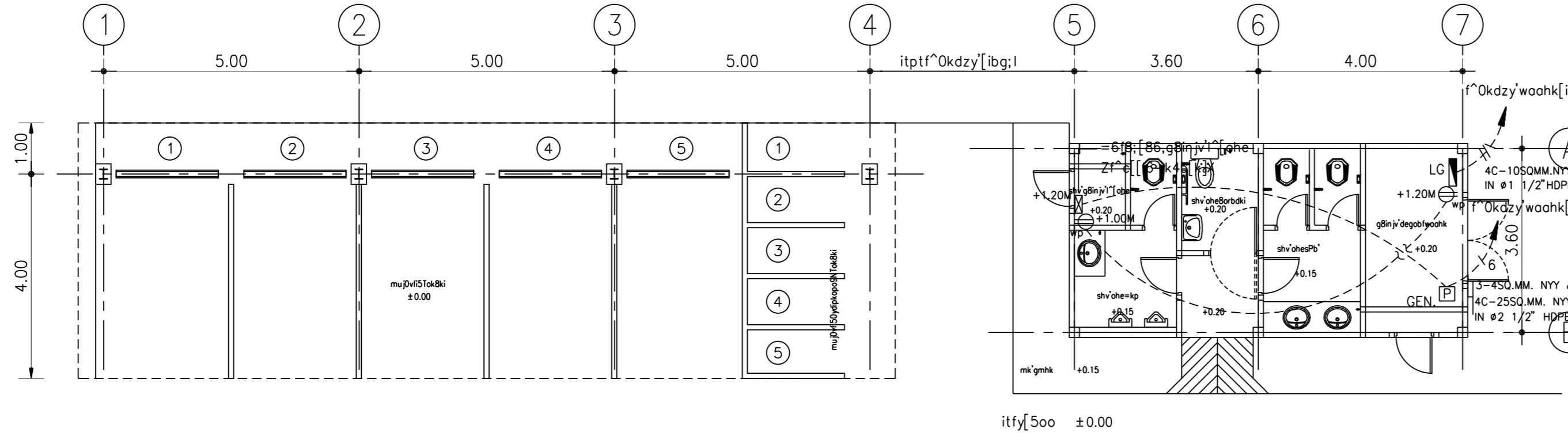


cx]o9bf9yh'it[[waahk mu]ovfi5Tok8ki
Z cx]omu]vfi50ydkpaga9N fhko--k X
.k9iki]o 1 : 100

cx]o9bf9yh'it[[waahkcl'l; jk' shv'ohe]^d8hk
Z cx]jshv'g8in]v'degobfwaahk fhko--k X
.k9iki]o 1 : 100

lyPP]ydKIN
 LG
 +2.00M
 CB-CAR
 2POLE 15AT.
 wp
 2Sobwp
 wp
 wp
 GEN.
 P
 GEN.
 wp

s.kpgs96
 3F8, waahk c]; yf6vxdNxitdV[dk]9bf9yh'it[[waahk9k'q 5hk, uwfhdesofw; hgXhovp'k'v'no.sh.=h9k,
 ikpdk; yf6-v'vk8kileoyd'ko
 3di]umu]meck]9bf9yh'it[[waahk'j'rnhovk8ki shv'ohe]^d8hk mu]ovfi5Tok8ki. sh9bf9yh'lkp9y; oewaaokom]vjhp
 lkpwaahk=obf HDPE myh'ouh.shfegobodkifh;p; bTugfup; dy]it[[waahkvn]jumu]9jvg=n]jv.g.owaahk0kdcz'8; [86, v6ahk
 3dki9bf9yh'it[[waahklesiy vk8ki shv'ohe]^d8hk mu]ovfi5Tok8ki .sh9bf9yh'lkp9y; oewaaok4kp.om]vjhp]kpk
 =obfEMTFfp.=h-v9j]m]vjhp]kpk=obfRAIN TIGHT gm]jy]z]d; hom]vjhp]kpk.g.owaahk .sh'f'Okdzy]waahk[ibg;IX
 3z'hiy[0hk]shv'Oyfskc]9bf9yh'it[[m]jw]vg]up9k.c[[-pkpsv'g8in]v'degobfdesof xitdV]fh;p
 @'m]jv]w]vg]up m]jv]g]hdv[ly]dtl]e2 1/2" Z.=hm]MCwfhX-okf]g8in]v'degobfwaahk-v'gb. -v; yf-okf]w]h]mu]j]k-kTok8ki
 ay[0k-d-hv9]UNION Zi;. myh'UNION Zi;. m]jw]vg]up Z; 57'k]xib' sinvx]k]pm]jv]dy]o'x
 #'9y; 0y[p7]m]jw]vg]up]FEEL SUPPORT .STEEL ROD .CONDUIT CLAMP .U-CLAMP
 '\$'x]v]dits; k'm]jv]d]zoy'vk8ki m]jv]g]hdv[ly]dtlu e3" Z.=hm]MCwfhX
 %'Oy]me AIR DUCT -v'g8in]v'degobfwaahk 9k.c[[-pkp

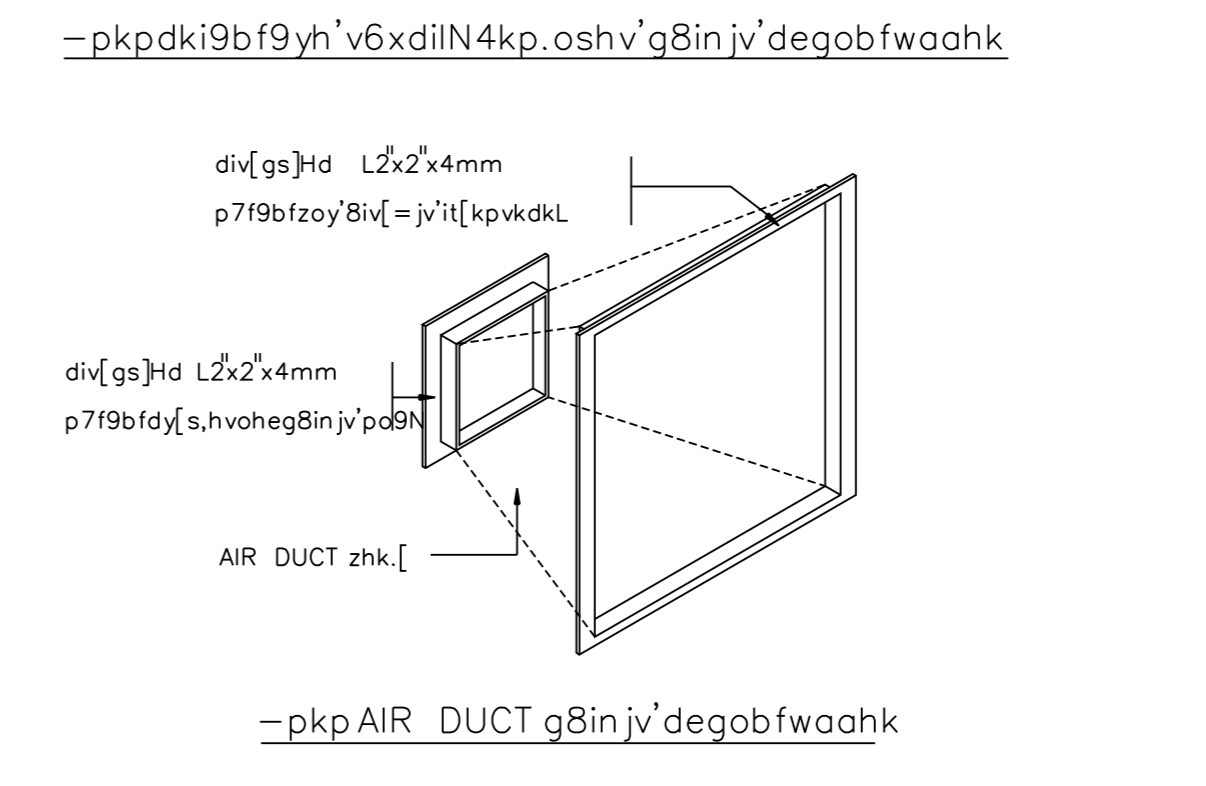
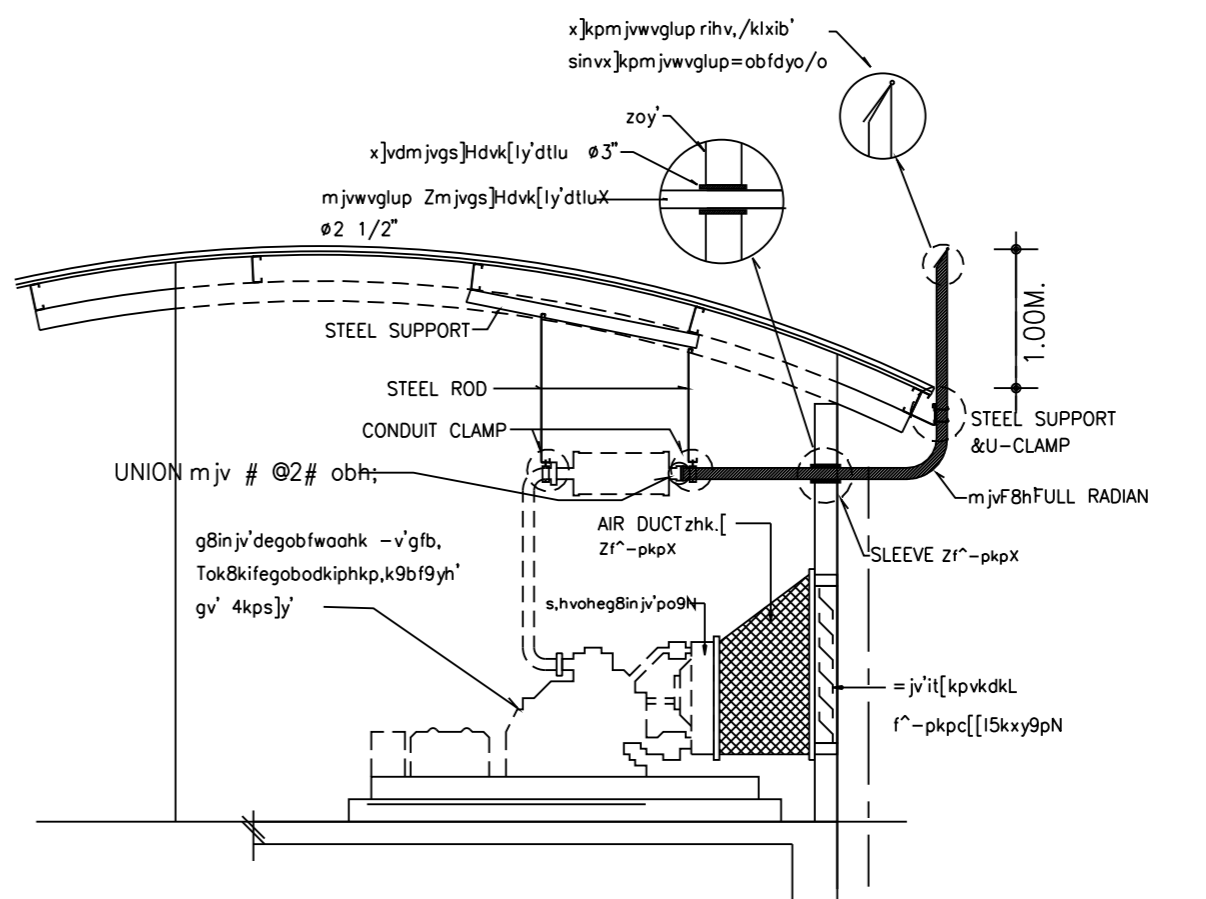
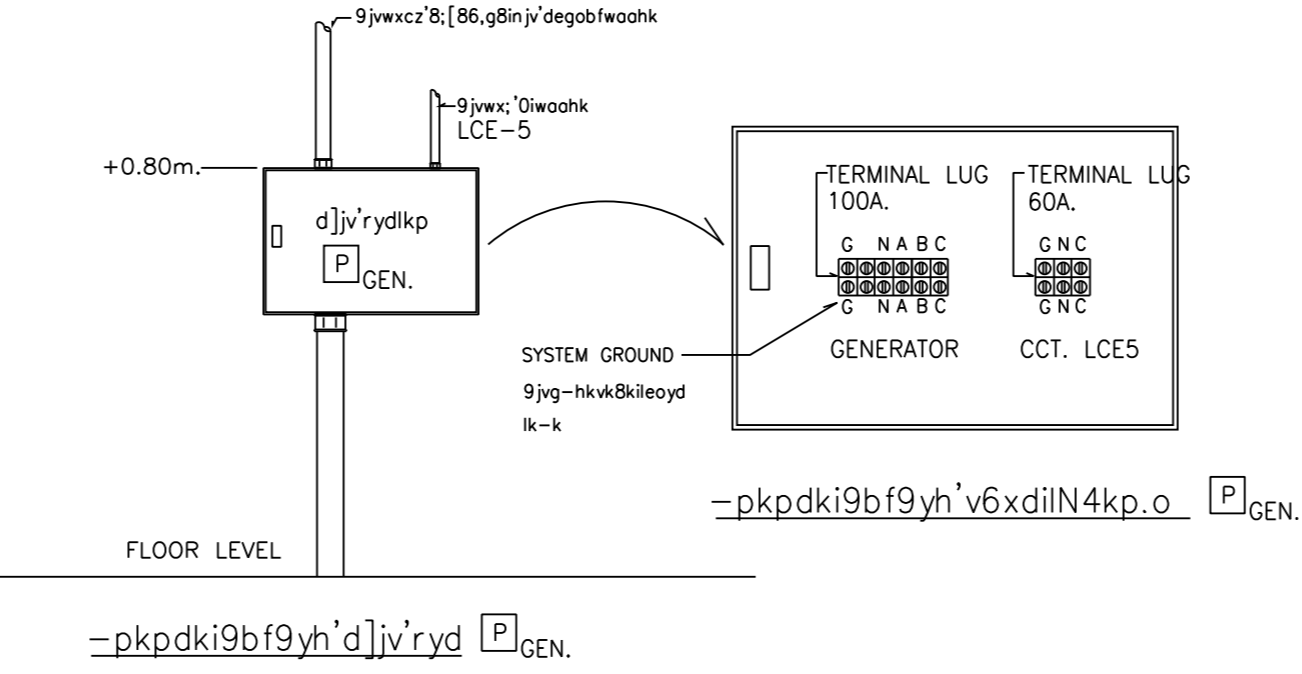


cx]o9bf9yh'it[[waahkg9hkij]v' shv'ohe]^d8hk
Z cx]jshv'g8in]v'degobfwaahk fhko--k X
.k9iki]o 1 : 100

cx]o9bf9yh'it[[waahkg9hkij]v' shv'ohe]^d8hk
Z cx]jshv'g8in]v'degobfwaahk fhko--k X
.k9iki]o 1 : 100

3F8, waahk c]; yf6vxdNxitdV[dk]9bf9yh'it[[waahk9k'q 5hk, uwfhdesofw; hgXhovp'k'v'no.sh.=h9k,
 ikpdk; yf6-v'vk8kileoyd'ko
 3di]umu]meck]9bf9yh'it[[waahk'j'rnhovk8ki shv'ohe]^d8hk mu]ovfi5Tok8ki. sh9bf9yh'lkp9y; oewaaokom]vjhp
 lkpwaahk=obf HDPE myh'ouh.shfegobodkifh;p; bTugfup; dy]it[[waahkvn]jumu]9jvg=n]jv.g.owaahk0kdcz'8; [86, v6ahk
 3dki9bf9yh'it[[waahklesiy vk8ki shv'ohe]^d8hk mu]ovfi5Tok8ki .sh9bf9yh'lkp9y; oewaaok4kp.om]vjhp]kpk
 =obfEMTFfp.=h-v9j]m]vjhp]kpk=obfRAIN TIGHT gm]jy]z]d; hom]vjhp]kpk.g.owaahk .sh'f'Okdzy]waahk[ibg;IX
 3z'hiy[0hk]shv'Oyfskc]9bf9yh'it[[m]jw]vg]up9k.c[[-pkpsv'g8in]v'degobfdesof xitdV]fh;p
 @'m]jv]w]vg]up m]jv]g]hdv[ly]dtl]e2 1/2" Z.=hm]MCwfhX-okf]g8in]v'degobfwaahk-v'gb. -v; yf-okf]w]h]mu]j]k-kTok8ki
 ay[0k-d-hv9]UNION Zi;. myh'UNION Zi;. m]jw]vg]up Z; 57'k]xib' sinvx]k]pm]jv]dy]o'x
 #'9y; 0y[p7]m]jw]vg]up]FEEL SUPPORT .STEEL ROD .CONDUIT CLAMP .U-CLAMP
 '\$'x]v]dits; k'm]jv]d]zoy'vk8ki m]jv]g]hdv[ly]dtlu e3" Z.=hm]MCwfhX
 %'Oy]me AIR DUCT -v'g8in]v'degobfwaahk 9k.c[[-pkp

PANEL LOAD SCHEDULE		3PHASE 4 WIRES, SN, 220/380 VOLTS		BREAKER	CONDUCTOR SIZE (SQMM)	DIAGRAM	
CKT. NO.	DESCRIPTIONS	LOAD IN VA					
PANEL NAME : LG LOCATION: vk8kishv'ohe]^d8hk		A	B	AT	POLE		
1	cl'k'	500		10	1		2-2.5
3	mu]ovfi5Tok8ki ZI'zy]waahk[ibg;IX	500		20	1	3-4 NYY	
5	leiv'			3	16	1	3
7	leiv'			16	1	3	
9	3			3	3	3	
11	3			3	3	3	
2	g9hkij]	500		10	1	2-2.5/1.5(G)	
4	3			3	3	3	
6	3			3	3	3	
8	3			3	3	3	
10	3			3	3	3	
12	3			3	3	3	
TOTAL CONNECTED LOAD (VA)							
MAIN CIRCUIT BREAKER AD . . AT]4KA AT 380V.		MAIN FEEDER (SQMM) 4(1C-10)NYY/6(G)THW IN HDPE		CONNECTED TO CB LG 4kp.o MDBvk8kileoyd'ko			



REVISIONS	DATE
NOTE	
<ul style="list-style-type: none"> • ALL DIMENSIONS ARE IN METER UNLESS OTHERWISE INDICATED • NO DIMENSION SHALL BE SCALED • ALL DRAWINGS ARE THE PROPERTY OF THE AREA CO.,LTD. AND CAN NOT BE USED REPRODUCED OR DUPLICATED WITHOUT PERMISSION 	
OWNER	
Tok8kigm jvdkgidK9i	
DESIGNER	
 111/1 Ladproo23 Ladyoa Chaturak Bangkok 10900 Tel. (662) 5139533-5 Fax. (662) 5139536	
15kxobd	
v]d]in 9ik=^	15°00'00"
yoy]p [6P;ib=pN	15°00'00"
okp;bl'N g08P;ik;6cb	15°00'00"
okpLiu;yc0N ris;6;iii	15°00'00"
;bl; di]8'liihk'	
okp]j;yo]m -6m]koom]n]p'(#]0	
okpobokom m'v'k lp'%;\$	
;bl; di]6-k4b[k]	
okp]k; 06]j]r]o]k]in 4d'_%2	
okp]v]k;F]0]o]n v699;L]x]id]i,	
okp=bf=y]p =y=k]j]n]xiu=k	
;bl; di]waahk	
okp=y;yc0N :n]y]9' 4od'_%20%	
okp;boyp m'v'ar]y]9]n 4od'0'%)#'	
;bl; di]g8in]v'd]	
okp]k; 06]j]r]o]k]in 4d'_%2	
y]Rokdi	
okp]m]b]m]b]p v6op]r]y]o]m 15'[%24kp.ak	
ok'v]k]u; y]N d6p]T]ir]9 LK'["	
okp]d]it]l =";KN LK'["	
DRAWN	DATE
CHECKED	
APPROVED	
F8'i'dki	
xiy]xi6'vk8kileoyd'kolk-k	
Zleoyd'ko # =yhoX	
mu]j]9&'	
c[[clf'	
cx]o9bf9yh'it[[waahk vk8kishv'ohe]^d8hk mu]ovfi5Tok8ki dk]9bf9yh'v6xd]Nshv'g8in]v'degobfwaahk	
FILE NO 0203	DRAWING NO EE-13
DATE 05 / 02 / 2003	
SUB TOTAL 13	GRAND TOTAL

