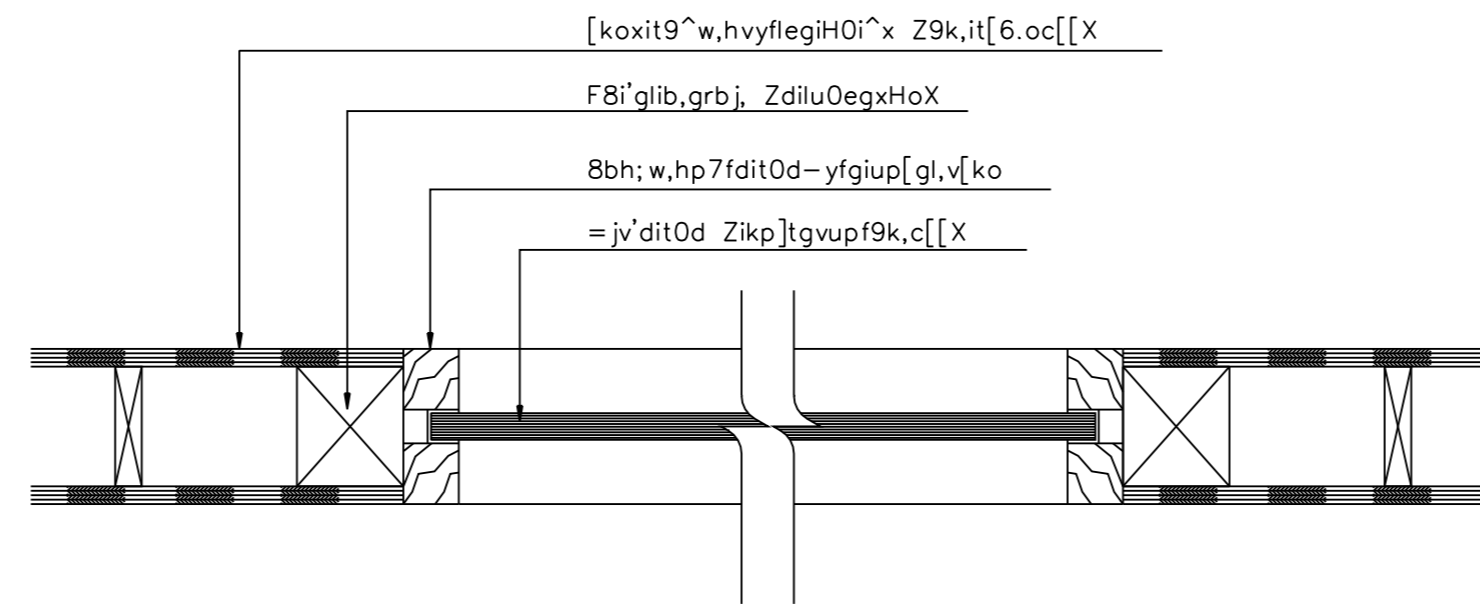
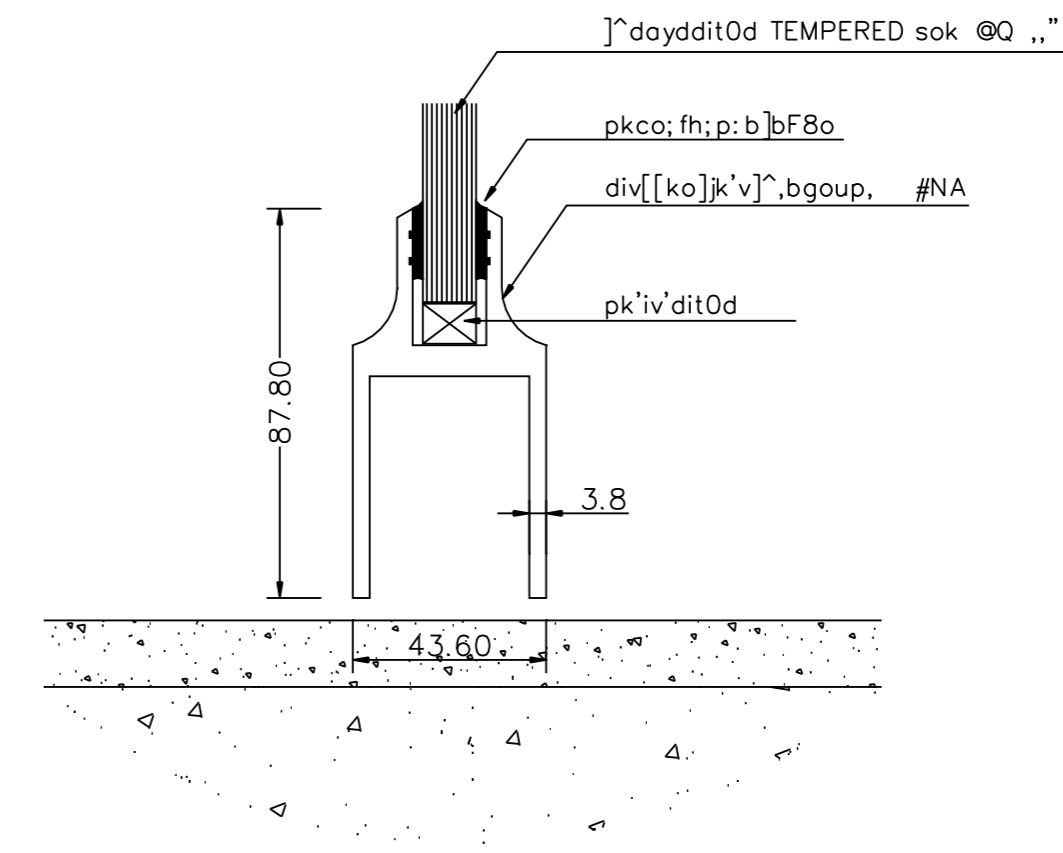


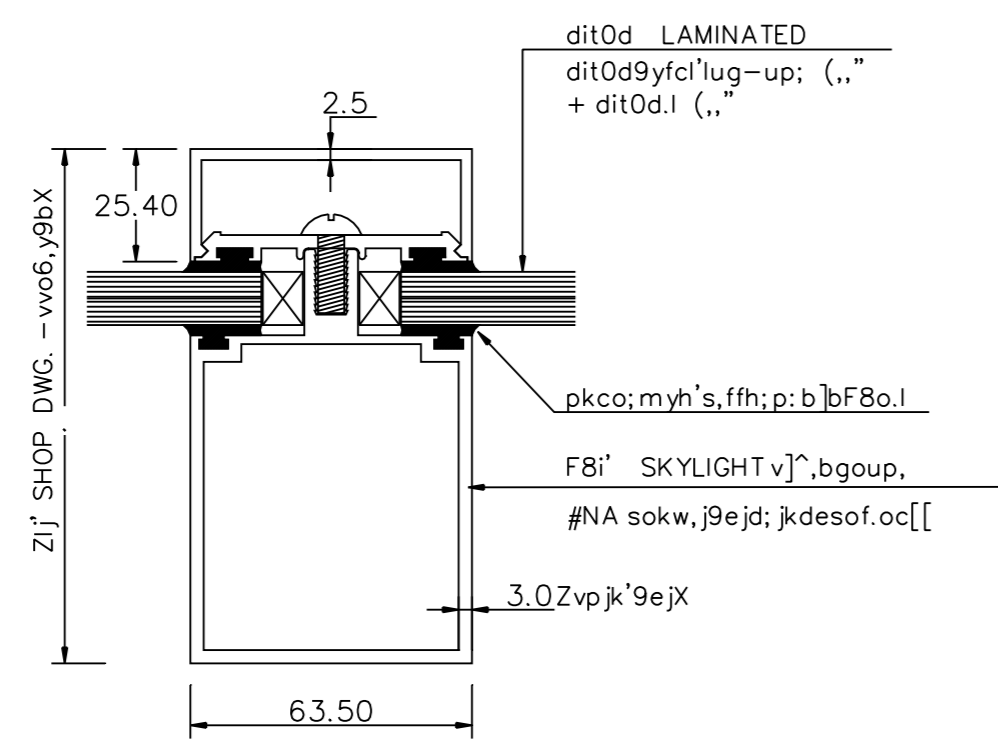
cx]o-pkp;'d[w,h
.k9iki;o 1 : 2



cx]oclf'dki.l=jv'dit0d
.k9iki;o 1 : 2



i^x9yxit9^dit0d (TEMPERED GLASS)
.k9iki;o 1 : 2



i^x9yf8i' SKYLIGHT
.k9iki;o 1 : 2

s,kpqs96.
F8i' SKYLIGHT.shij' SHOP DRAWING clf'ikp]gvupf
dki9b9yh' v6xdilNxitdv[ikpdkibeo;iclf'dkiiy[oehsoid
c]lc', -vvo6,y9b0kdz^hiy[zbv=v[-v' Tal"']tsinvz^hvdc[[
djvodki9b9yh'Oib'

s,kpqs96_Zc[[-pkp,k9ikoFfp;X

1. itptc[[-pkp it[6gxHo,b]]bg,9i
2. .shij' SHOP DRAWING c]t SECTION9y;vpj' glov-vvo6,y9bdjvo.=h'ko0ib'
3. SECTION -v'v]^,bgoup,=hsok 9k,it[6.oikpdkixitdv[c[[15kxy9pdii, Zs.;fmju * sy,-hv **X
4. v]^,bgoup,m&'s,f.=hlNA, dit0d9k,it[6.oc[[
5. oUv9 c]t ;yff6p7fv]^,bgoup, .h=obfx]vflob, Z4kpovd.=h=obf STAINLESS 4kp.o.=h=obf HOT DIPPED GALVANIED)

REVISIONS	DATE
A c[[d]virk'	15/02/2000
NOTE	
• ALL DIMENSIONS ARE IN METER UNLESS OTHERWISE INDICATED	
• NO DIMENSION SHALL BE SCALED	
• ALL DRAWINGS ARE THE PROPERTY OF THE AREA CO.,LTD. AND CAN NOT BE USED REPRODUCED OR DUPLICATED WITHOUT PERMISSION	
OWNER	
Tok8kigrn jvdkgdK9i	
c]tsdidkigqk9i	
DESIGNER	
AREA CO.,LTD.	
111/1 Lodproo23 Ladoo Chuloch Bangkok 10900	
Tel. (662) 5139533-5 Fax. (662) 5139536	
15kxobd	
v]din 9ik=^	15^00#
:yo=yp [6P;ib=pN	15^0^%4
ri=yp ob9b;ixiliki	15^%#4
:b[]N g0bP;ik;6cb	15^000#
ASSISTANT ARCHITECT	
gdup'wdi clo6;LN	
;bl; dif8i'lihk'	
.kot 0i^Pr^XNLydbN	ip^%0#
v]din 9ik=^	ip^%0#
foyp i;k'FC,	ip^%#_
;bl; dil6-k4b[k]	
l64ymi ;ktb=pNd6]	lod^0#_
Lbib=yp Oyo9iud6]	x;1"
;bl; diwaahk	
[iio' g0bPob0r^]z]	:od^0#
=yp;yc0N :nj9i'	4od^%0%
;bl; dig8in jv'd]	
lyj ob9bro	id^0%_#
y]Rokdi	
ruil69 i6;ildpt;bdpN	15^%#04
lbtb=yp v6jptrya9N[]Z4kp.oX	
DRAWN	DATE
CHECKED	
APPROVED	
F8i'dki	
vk8kileoyd'kolk-k	
mu j9&'	
v' -]6' 0" Oyam[6iu	
c[[clf'	
c[[-pkp,k9iko	
xit9^ 3 sohk9jk'	
FILE NO	DRAWING NO
9911	A - 15
DATE	
15 / 02 / 2000	
SUB TOTAL	GRAND TOTAL

