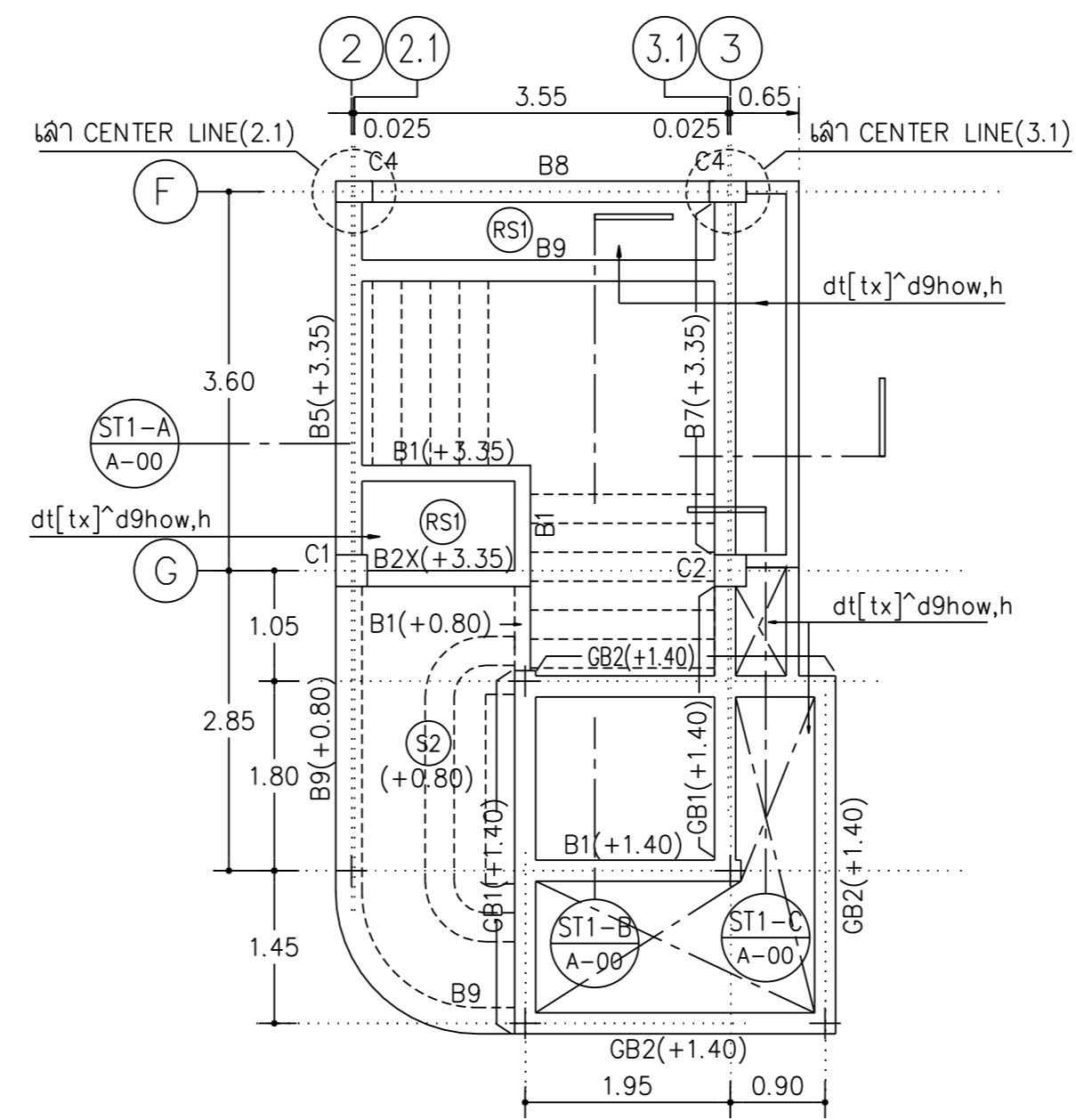
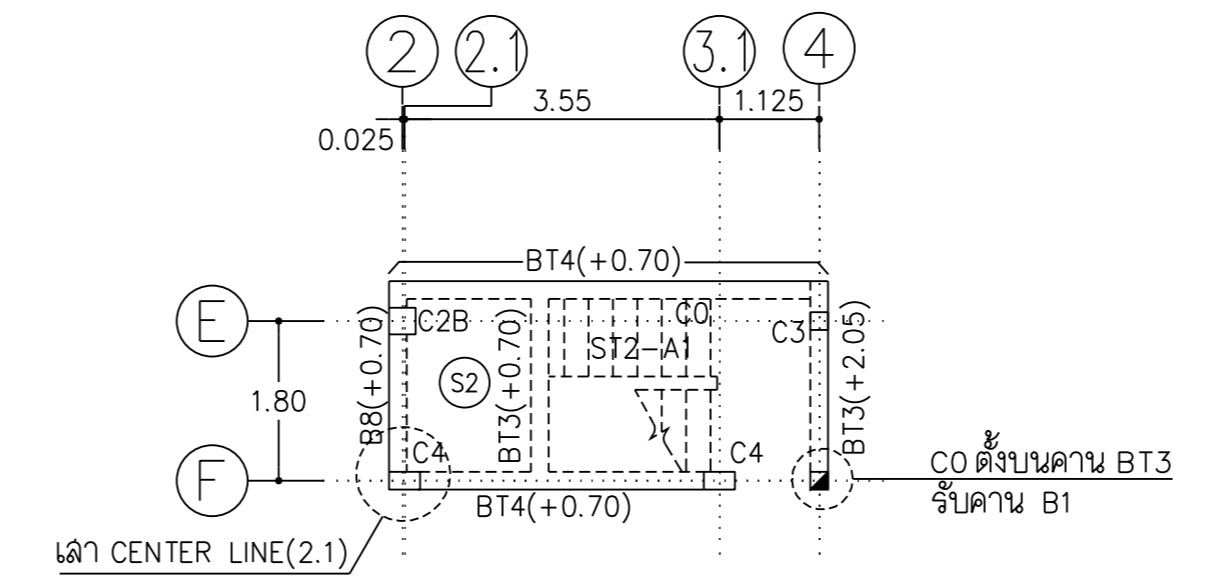


cx]o8ko}gk[c]trno=&ofk fahk  
 ,k9ikl;:o 1 : 100

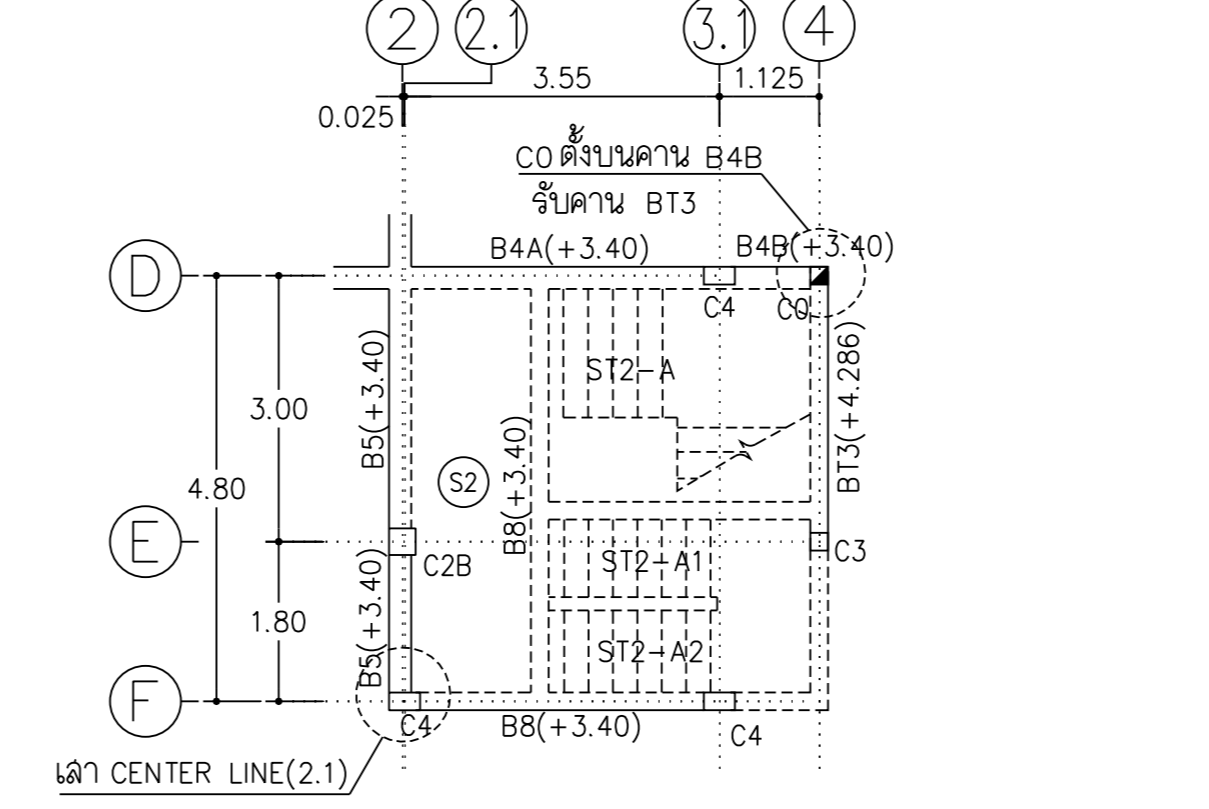
s,kp9s96  
 1. + = gksp6fgl,vitfy[s]y8ko  
 2. itfy[9]k'q muj,shqHoitfy[m]NISH c);



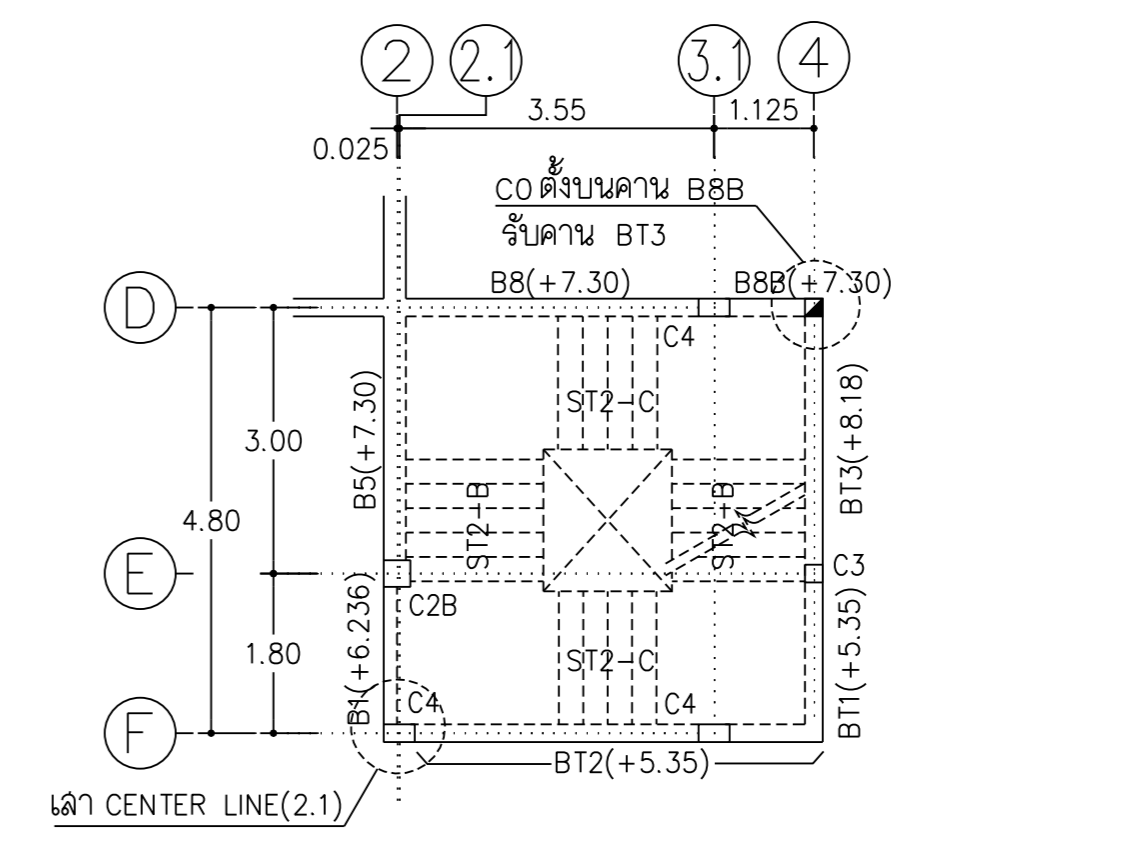
cx]o8koiy[[yowf STt; jk' =&o]jk'3=&o#  
 ,k9ikl;:o 1 : 75



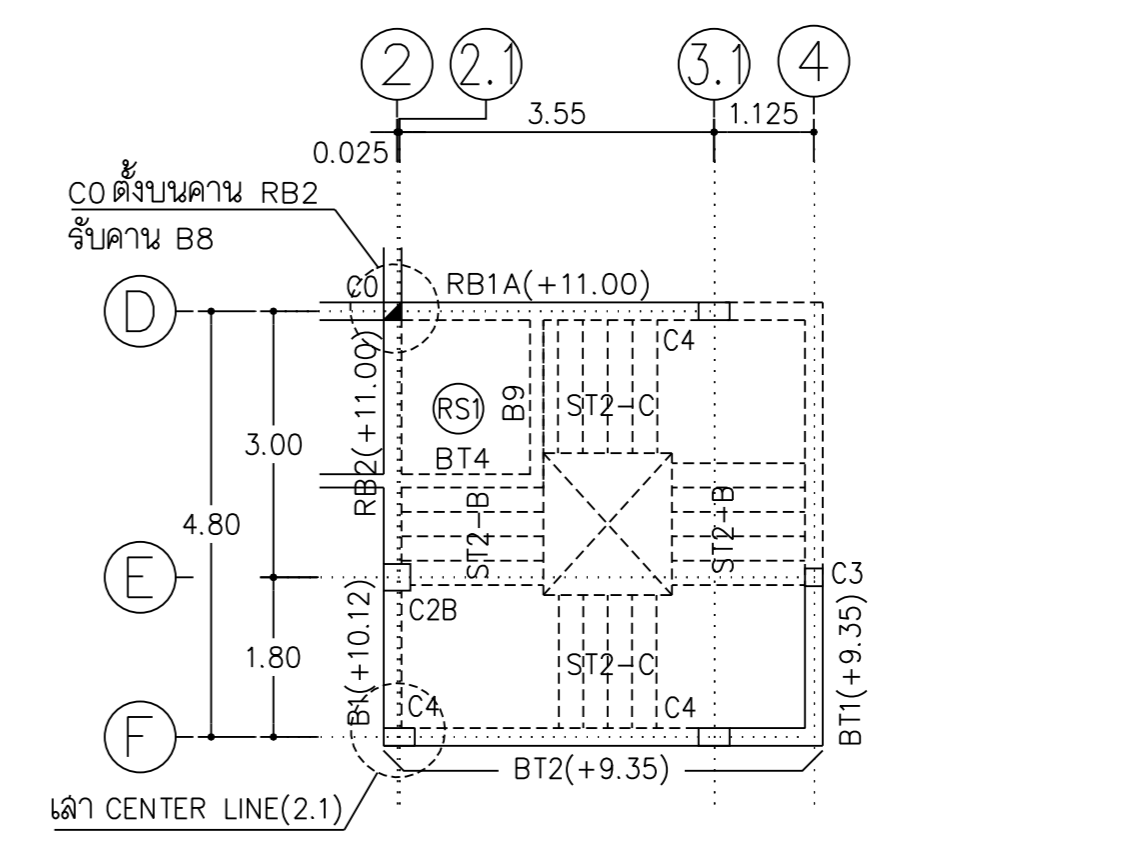
cx]o8koiy[[yowf STt; jk' =&o]jk'3=&o#  
 ,k9ikl;:o 1 : 100



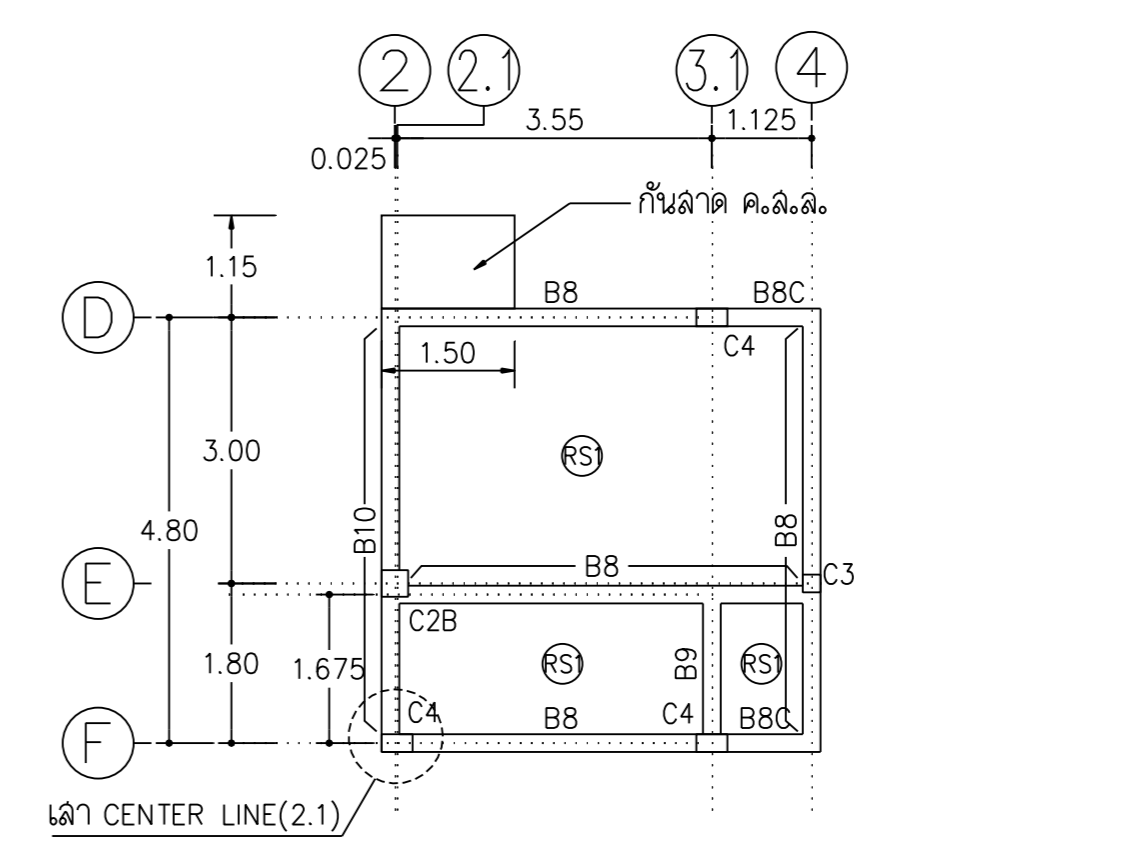
cx]o8koiy[[yowf STt; jk' =&o]jk'3=&o\$  
 ,k9ikl;:o 1 : 100



cx]o8koiy[[yowf STt; jk' =&o]3tkfahk  
 ,k9ikl;:o 1 : 100



cx]o8koiy[[yowf STt&ofk fahk  
 ,k9ikl;:o 1 : 100



cx]o8ko}gk[k]rnho[s]y'8k8]6,[yowf ST2  
 ,k9ikl;:o 1 : 100

| REVISIONS  | DATE        |
|--|-------------|
| A c[[]d]vthk'  | 12/11/1999  |
|  |             |
|  |             |
| NOTE   |             |
| • ALL DIMENSIONS ARE IN METER UNLESS OTHERWISE INDICATED   |             |
| • NO DIMENSION SHALL BE SCALED   |             |
| • ALL DRAWINGS ARE THE PROPERTY OF THE AREA CO.,LTD. AND CAN NOT BE USED REPRODUCED OR DUPLICATED WITHOUT PERMISSION |             |
| OWNER  |             |
| Tok8kigrn jvdkgidK9i   |             |
| c]t[[]s]dildkigkq[[]9i   |             |
| DESIGNER   |             |
| AREA CO.,LTD.  |             |
| 111/1 Lodpro23 Lodyoo Chutachok Bangkok 10900  |             |
| Tel. (662) 5139533-5 Fax. (662) 5139536  |             |
| 15kxobd  |             |
| v]d]n 9ik=^  | 15°00'00"   |
| :yoy [6P;ib=pN   | 15°0'0"4    |
| ri=yoy ob9;ib=ikli   | 15°0'0"4    |
| :b[']m g]obP;ik;6cb  | 15°00'0"    |
| ASSISTANT ARCHITECT  |             |
| gdup'w]di cloi6;LN   |             |
| :bl; dif8i'lihk'   |             |
| .kot 0i'Pr'KNlydbN   |             |
| v]d]n 9ik=^  |             |
| foyp i; k'FC.  |             |
| :bl; dil6-k4b[k]   |             |
| i64ymi ;ktb=pnd6]  |             |
| Lbib=yoy Oyo9ud6]  |             |
| :bl; diwaahk   |             |
| [i]o' g]obP]ob0' ]z]   |             |
| =yoy:con :n]y9i' 4od' *%0%   |             |
| :bl; dig8in jv'd]  |             |
| ly' ob9bro   |             |
| :yRokdi  |             |
| ruib9 i6;idpt;bdpN   |             |
| l]m]b=yoy v6j]p]ryd9]  |             |
| DRAWN  |             |
| CHECKED  |             |
| APPROVED   |             |
| F8i'dki  |             |
| vk8kileoyd'kolk-k  |             |
| mu]9]8'  |             |
| v' -j6' 0° Oyo9[6iu  |             |
| c[[]c]f'   |             |
| cx]o8ko}gk[rnho]fk fahk  |             |
| c]t[[]cx]oF8i'lihk'[ yowf  |             |
| FILE NO  | DRAWING NO  |
| 9911   | S - 05      |
| DATE   |             |
| 15 / 2 / 2000  |             |
| SUB TOTAL  | GRAND TOTAL |

