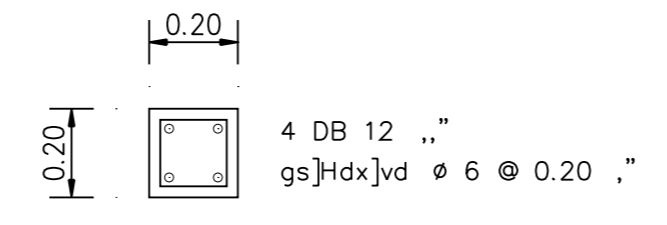
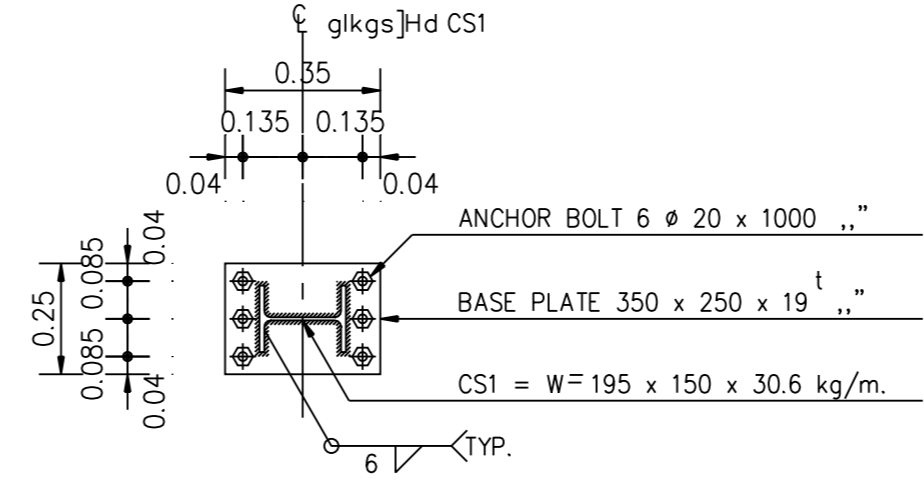


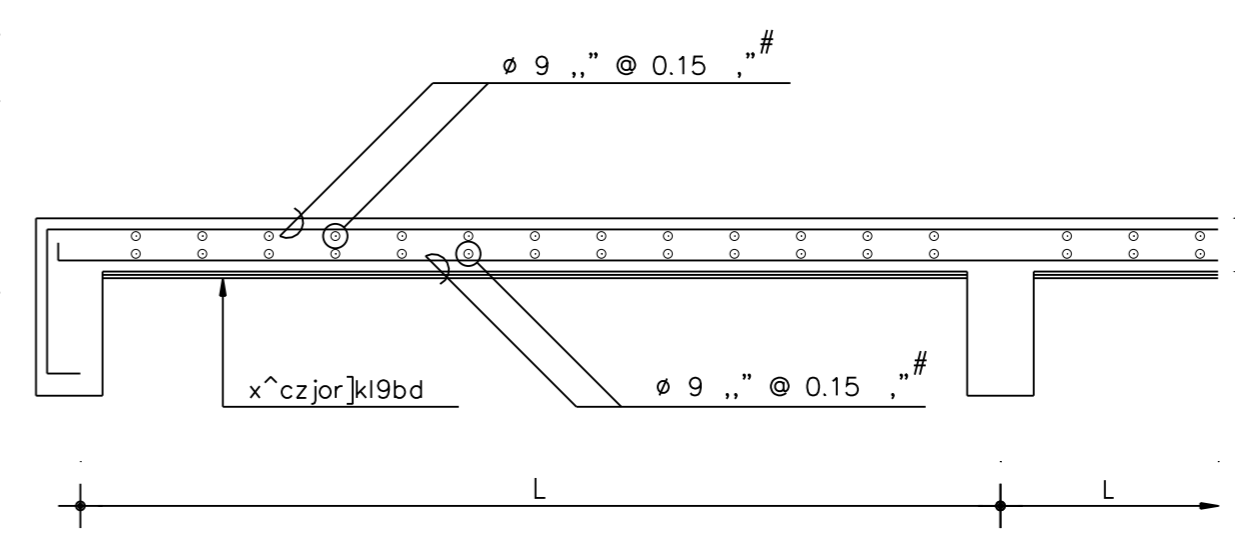
c[[-pkpglk CP1
k9ikl]o 1 : 20



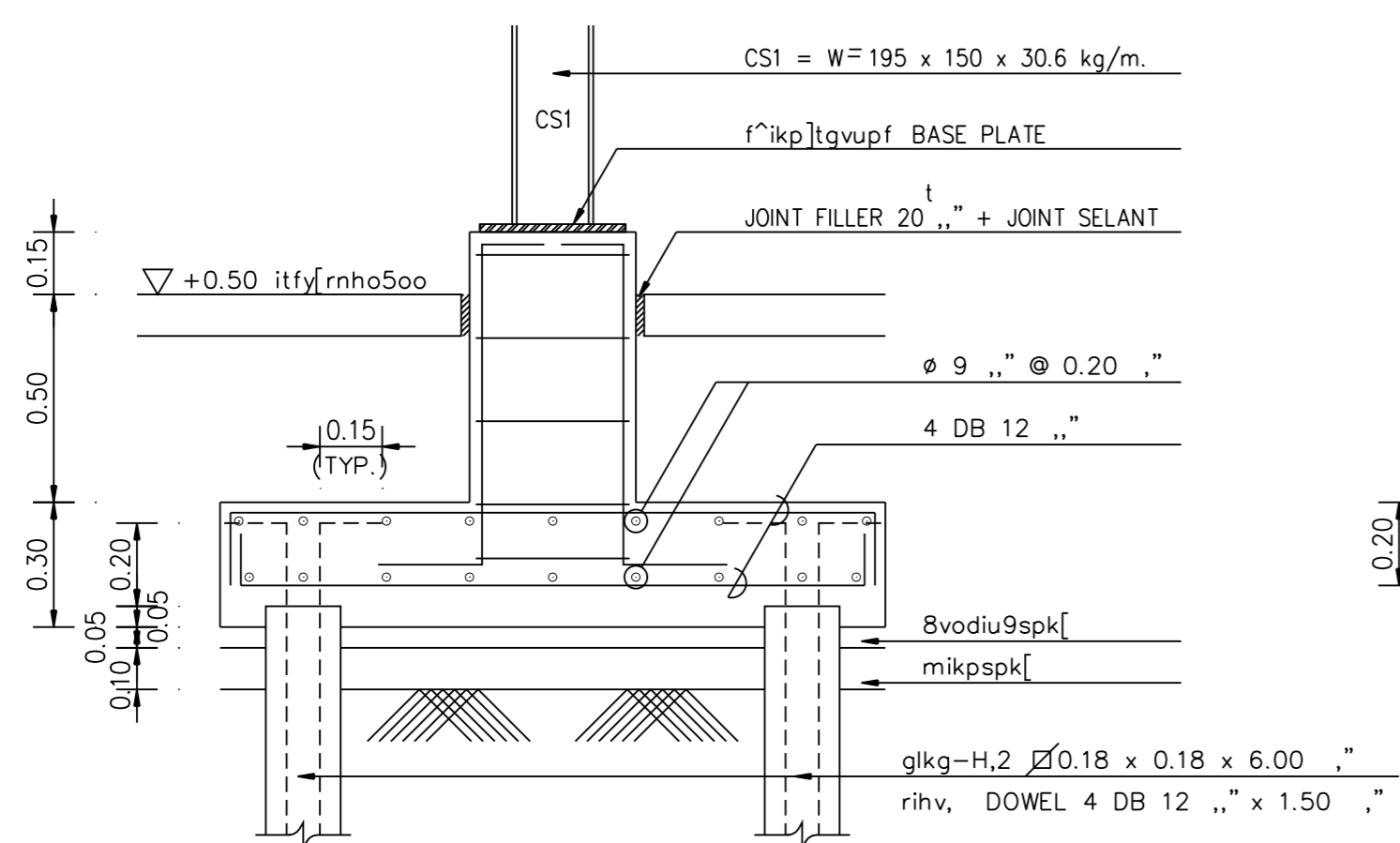
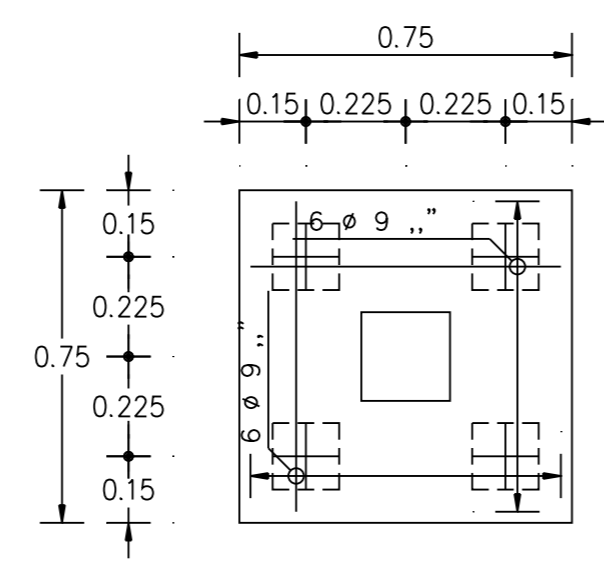
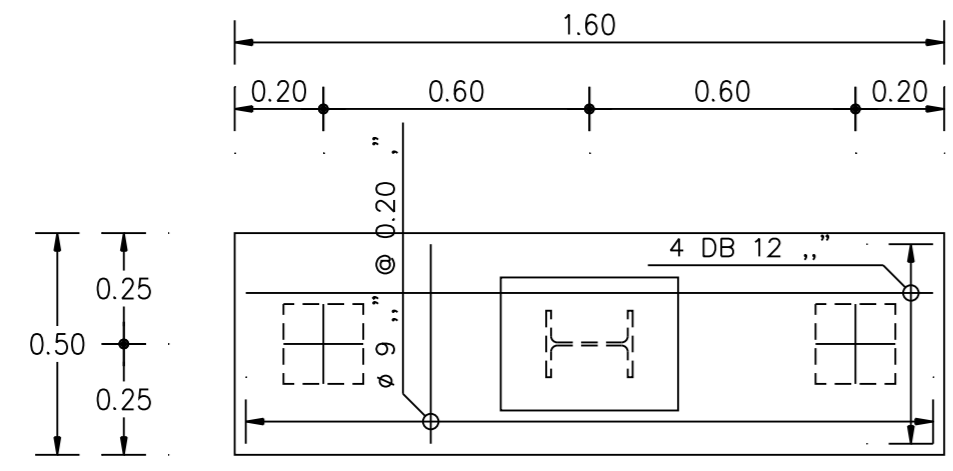
c[[-pkpglk CP2
k9ikl]o 1 : 20



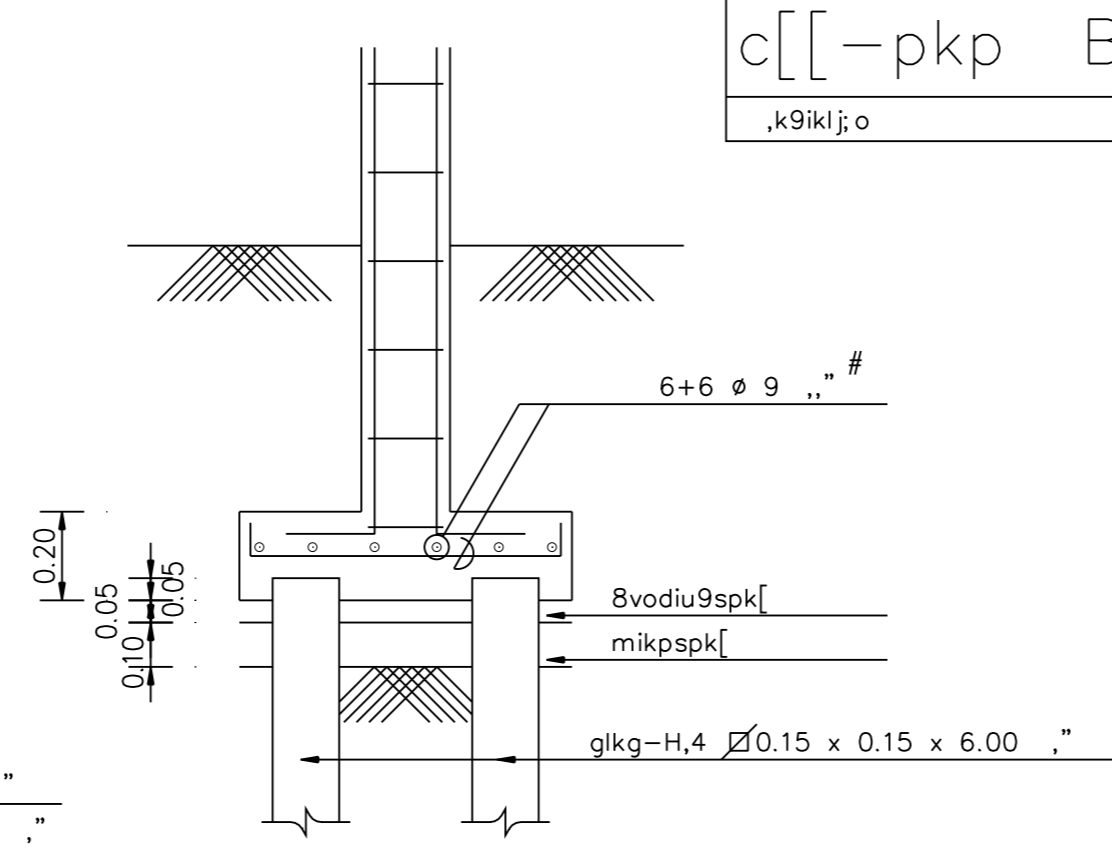
c[[-pkp BASE PLATE CS1
k9ikl]o 1 : 20



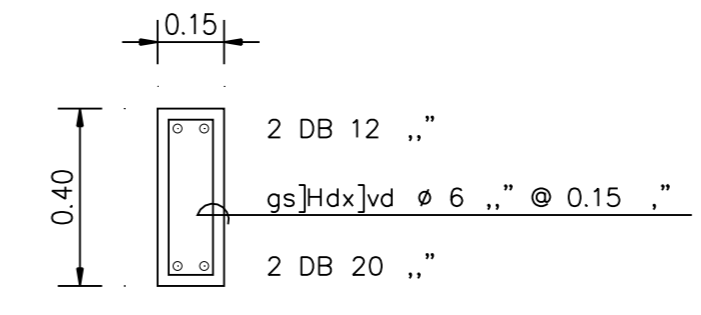
Zi^x9yfhkol&oX
c[[-pkprnho SP1
k9ikl]o 1 : 20



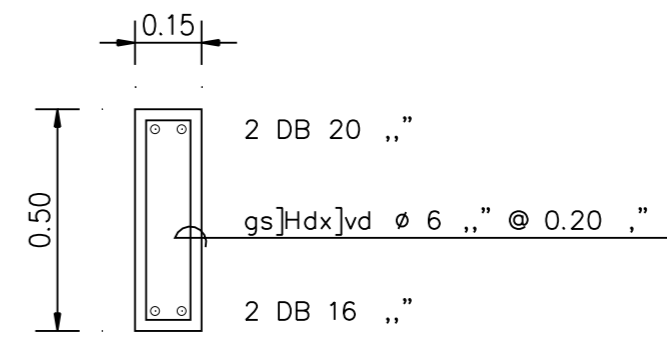
c[[-pkp F2,CP1
k9ikl]o 1 : 20



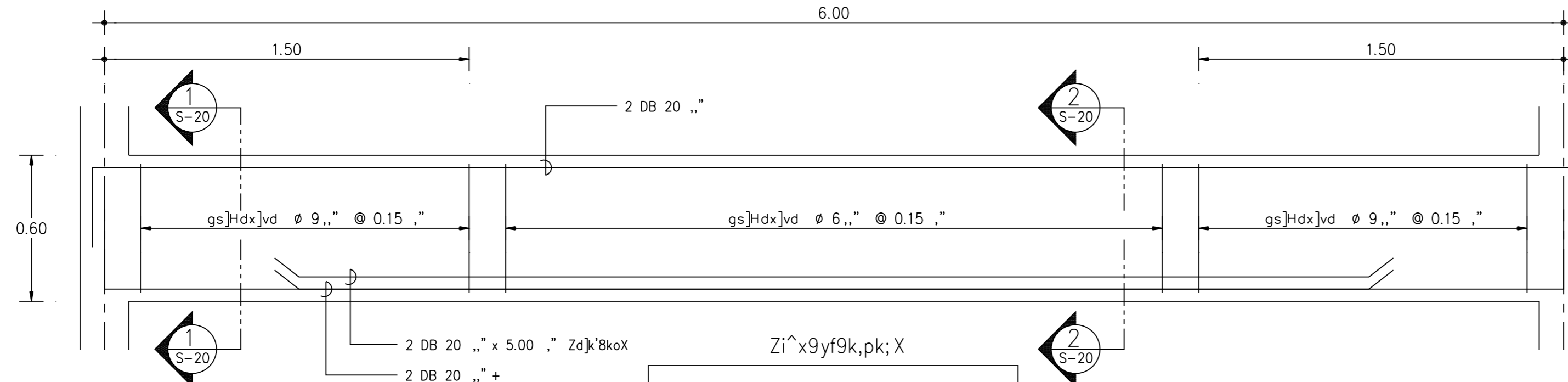
c[[-pkp F4
k9ikl]o 1 : 20



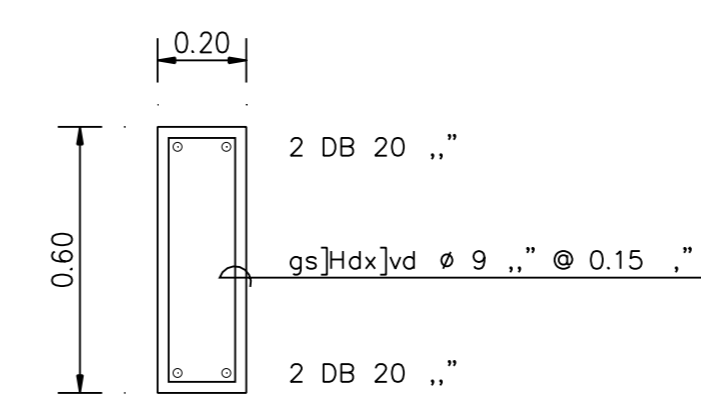
c[[-pkp8ko BP1
k9ikl]o 1 : 20



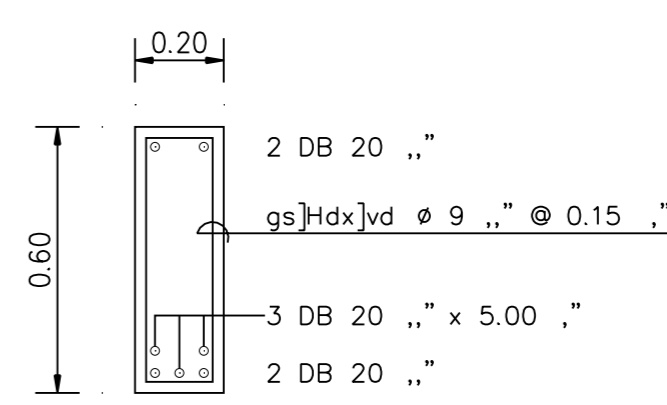
c[[-pkp8ko BP3
k9ikl]o 1 : 20



Zi^x9yf9k,pk;X
c[[-pkp8ko BP2
k9ikl]o 1 : 20



Zi^x9yf @ 3 @ X
c[[-pkp8ko BP2
k9ikl]o 1 : 20



Zi^x9yf # 3 # X
c[[-pkp8ko BP2
k9ikl]o 1 : 20

| REVISIONS | DATE |
|--------------|------------|
| A c[[djvirk' | 15/02/2000 |

NOTE
 • ALL DIMENSIONS ARE IN METER UNLESS OTHERWISE INDICATED
 • NO DIMENSION SHALL BE SCALED
 • ALL DRAWINGS ARE THE PROPERTY OF THE AREA CO.,LTD. AND CAN NOT BE USED REPRODUCED OR DUPLICATED WITHOUT PERMISSION

OWNER
 Tok8kigrn jvdkgidK9i
 c]t]tsdidkigqK9i

DESIGNER
AREA AREA CO.,LTD.
 111/1 Laddprao23 Lodyoo Chulachok Bangkok 10900
 Tel. (662) 5139533-5 Fax. (662) 5139536

15kxobd
 v]din 9ik=^ 15°000#
 :yo=yp [6P;ib=pN 15°0°#4
 ri=yp ob9b;ixkiki 15°7°#4
 :b]n]m g0bP;ik;6cb 15°000#

ASSISTANT ARCHITECT
 gduip^adi cloi6;LN
 ;bl; dif8i'link'
 .kot 0i^Pr^KNLydibN ip^02#
 v]din 9ik=^ ip^000#
 foyp i; k^FC, ip^0°#-
 ;bl; dil6-k4b[k]
 i64ymi ;ktb=pNd6] lod^0#%
 Lbib=yp Oyo9iud6] x;!"
 ;bl; diwaahk
 [i0^ g0bP;00r^]z] :od^0#
 =yp; yon :nj9i' 4od^0°#
 ;bl; dig8in]v'd
 iy] ob9bro id^0°# \$
 ;yRokdi
 ruil69 i6;idp;t;bdpN 15°7°#04
 lbtmTb=yp v6joptry09] 24kp.oX
 DRAWN [tbyy]i s;yl;lug]l DATE
 CHECKED
 APPROVED
 F8i'dki
 vk8kileoyd'kolk-k
 muj9&'
 v^ liirpk 0' =ypokm
 c[[clf'
 c[[-pkpF8i'link'shv'ohel]d8hk
 mujOvfi5tok8ki

| | |
|------------------------|----------------------|
| FILE NO 9910 | DRAWING NO S - 20 |
| DATE 15 / 02 / 2000 | |
| SUB TOTAL | GRAND TOTAL |

