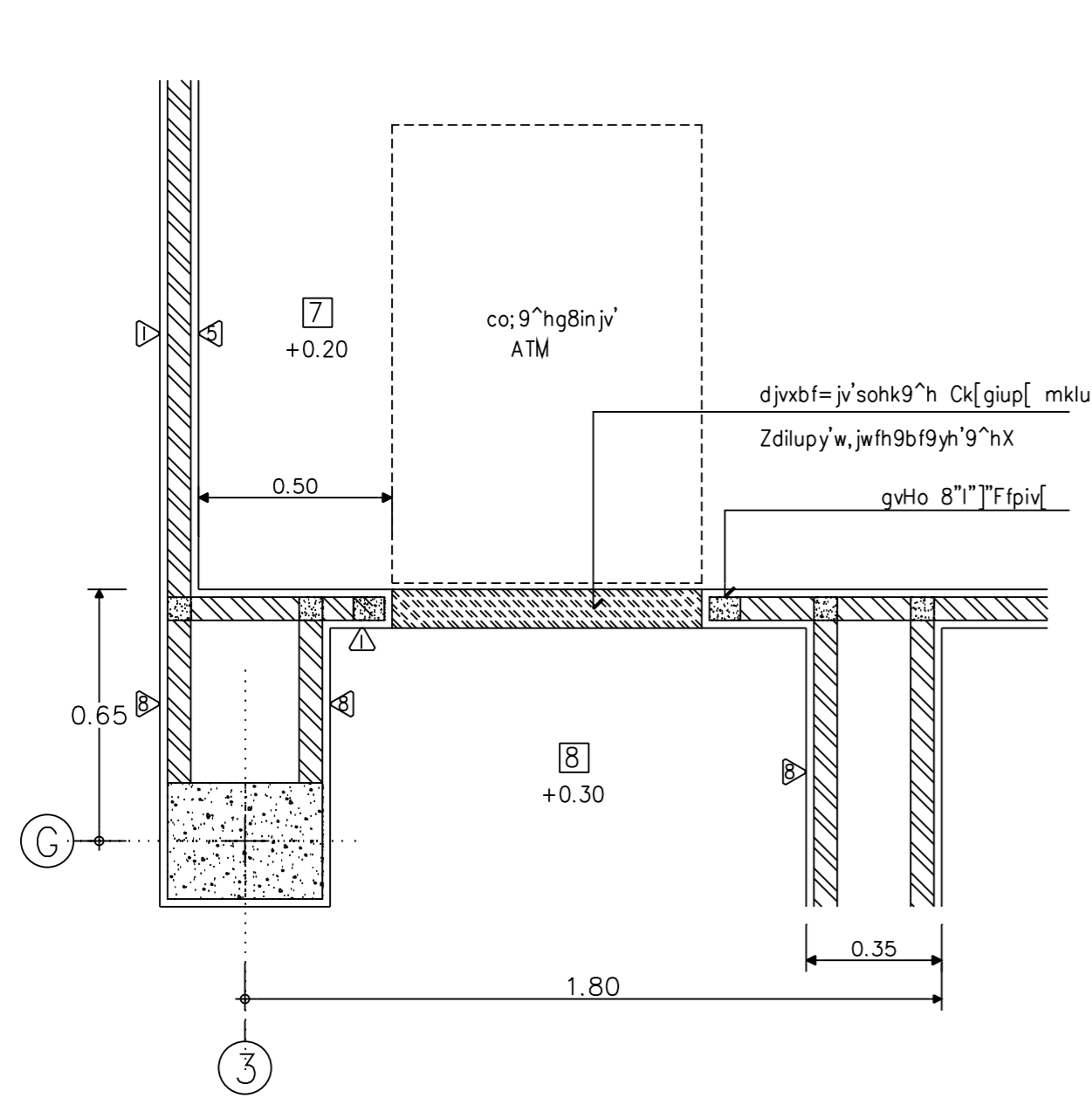
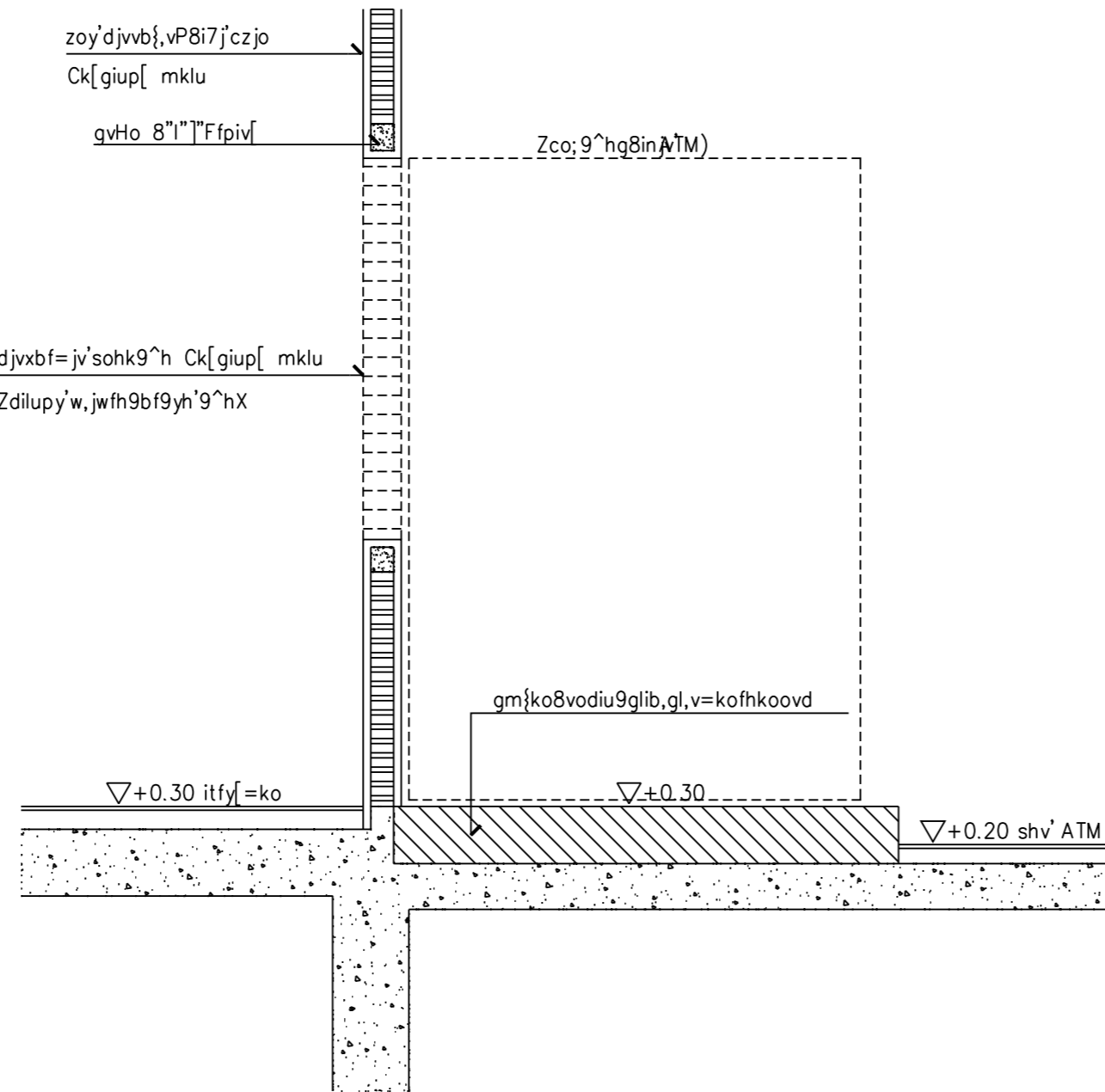


c[[[-pkpsohk[yo # 6
k9ikj;o 1 : 25 A-29

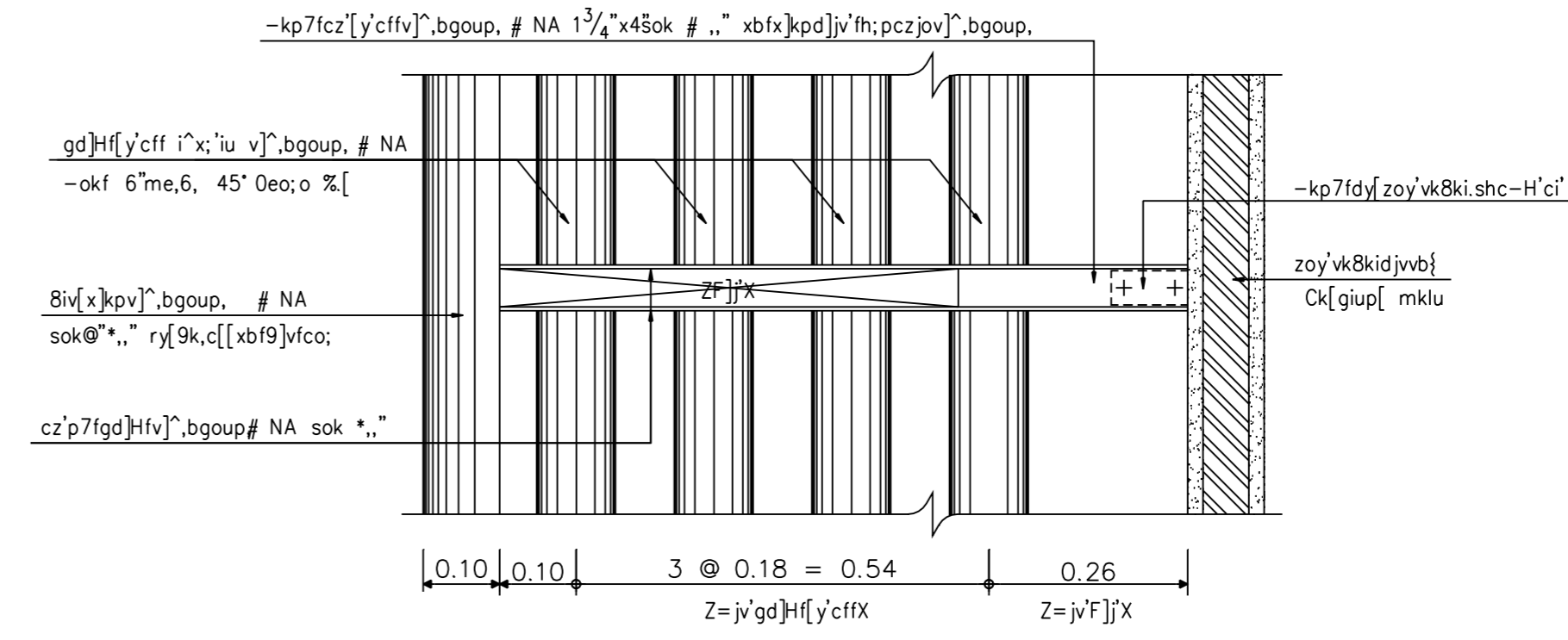


cx]o-pkp =jv'9^hATM # 8
k9ikj;o 1 : 20 A-29

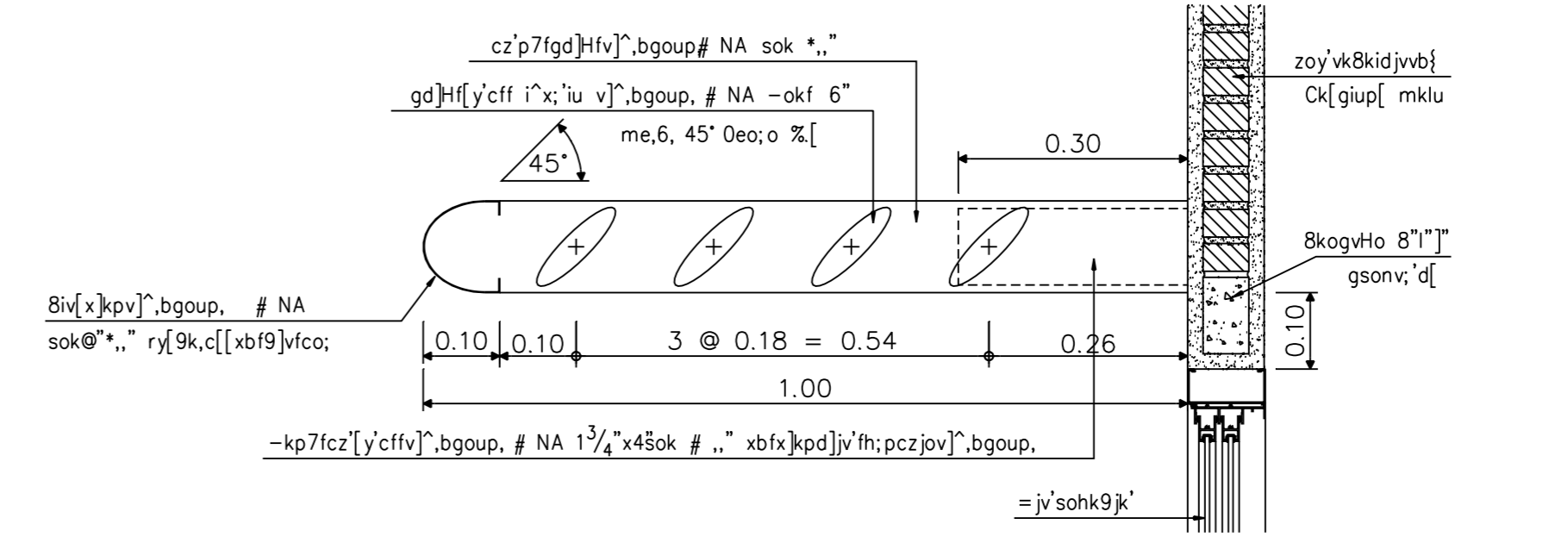


i^x9yf-pkp =jv'9^hATM # 8.1
k9ikj;o 1 : 20 A-29

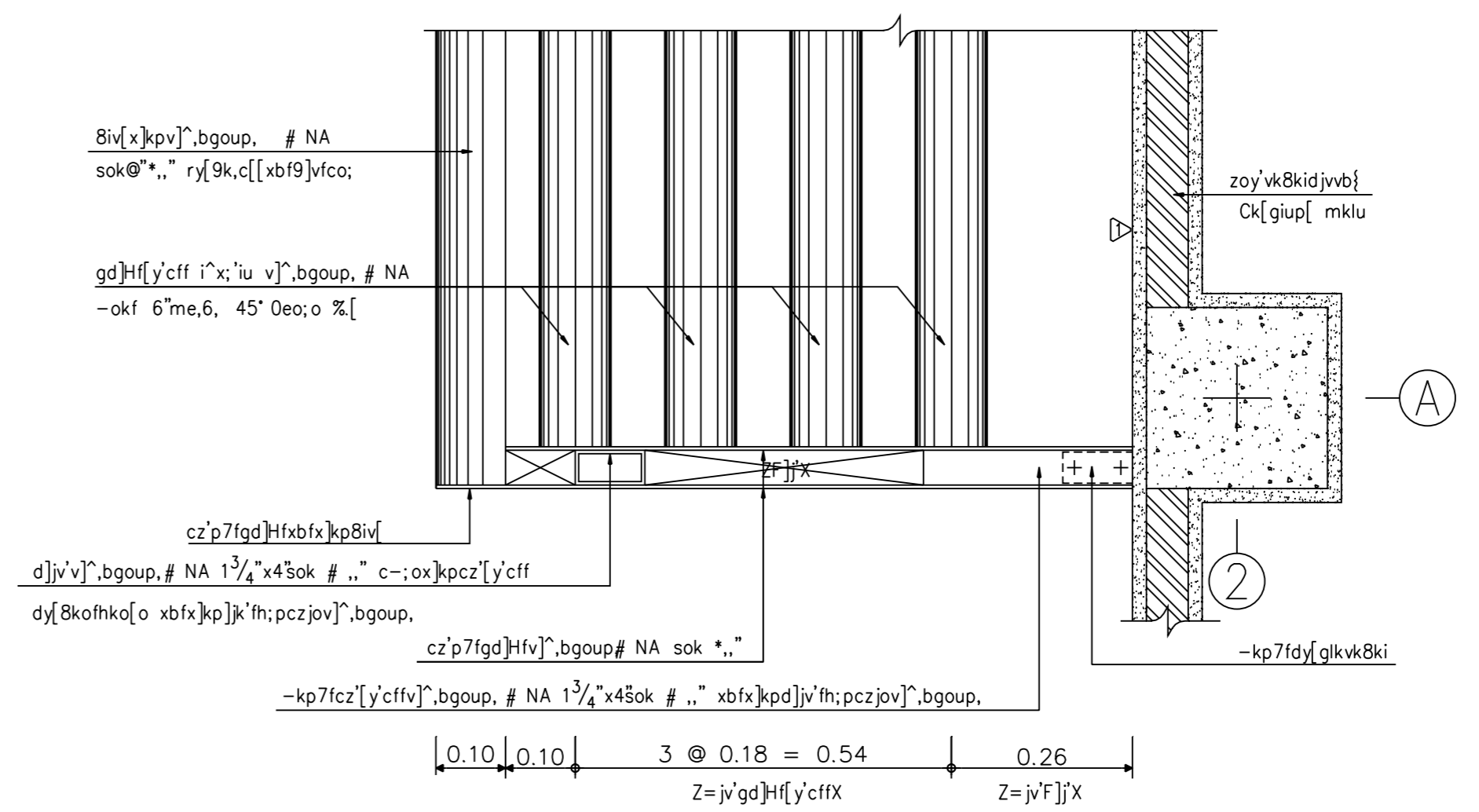
s.kpgs96 i6joc]itlptcojovo-v'9^h ATM9i;0l[dy[WTok8kiw



cx]o-pkp cz'[y'cff=yho # 7
k9ikj;o 1 : 10 A-29



i^x9yf-pkp cz'[y'cff=yho # 7.1
k9ikj;o 1 : 10 A-29



cx]o-pkp cz'[y'cff LINE 2 - (A) # 7.2
k9ikj;o 1 : 10 A-29

REVISIONS	DATE
NOTE	
• ALL DIMENSIONS ARE IN METER UNLESS OTHERWISE INDICATED	
• NO DIMENSION SHALL BE SCALED	
• ALL DRAWINGS ARE THE PROPERTY OF THE AREA CO.,LTD. AND CAN NOT BE USED REPRODUCED OR DUPLICATED WITHOUT PERMISSION	
OWNER	
Tok8kigrn jvdkgidK9i	
c]tIsdildkigqK9i	
DESIGNER	
AREA CO.,LTD.	
111/1 Lodproo23 Lodoo Chaluchok Bangkok 10900	
Tel. (662) 5139533-5 Fax. (662) 5139536	
I5kxobd	
v]dIN 9k=^	15^000#
yo=yp [6P;ib=pN	15^0%4
okp:b[]^N g0Bp;k;6cb	15^000#
okpLiu,ycoN ris;6;iii	15^\$%34^
okp:bg=KN g0bPtu[]^N	115^0)/#
;bl; dif8'i'lihk'	
okp]y,yoTN	-6mkoomN lp'(##)0
okpobookm mv',k	lp'%;\$
;bl; dil6-k4b[k]	
okp]pk,	06jorbOkIN 4d')_20
okp]v;FioN	v699,lvikdi,
okp=bf=yp	=y;k]pnxiu=k
;bl; diwaahk	
okp=yp;ycN	:nj9i' 4od^%0%
okp:boyp	mv'ariy9oN 4od^0)##^
;bl; dig8injv'd]	
okp]pk,	06jorbOkIN 4d')_20
,yRokdi	
okp]bmTb=yp	v6optryoTN 15^'24kp,ok
ok'wku;yp]N	d6ptTir9 LK^"
okp]diti =;	KN LK^"
DRAWN	DATE
CHECKED	
APPROVED	
F8i'dki	
xiy]xi6^vk8kileoyd'kolk-k	
Zleoyd'ko \$ =yhoX	
muj9&'	
c[[c]f'	
c[[[-pkpsohk[yo (
c[[[-pkpcz[y'cff)	
c[[[-pkp=jv'9^hATM 8	
FILE NO	DRAWING NO
0203	A - 29
DATE	
21 / 02 / 2003	
SUB TOTAL	GRAND TOTAL
46	

