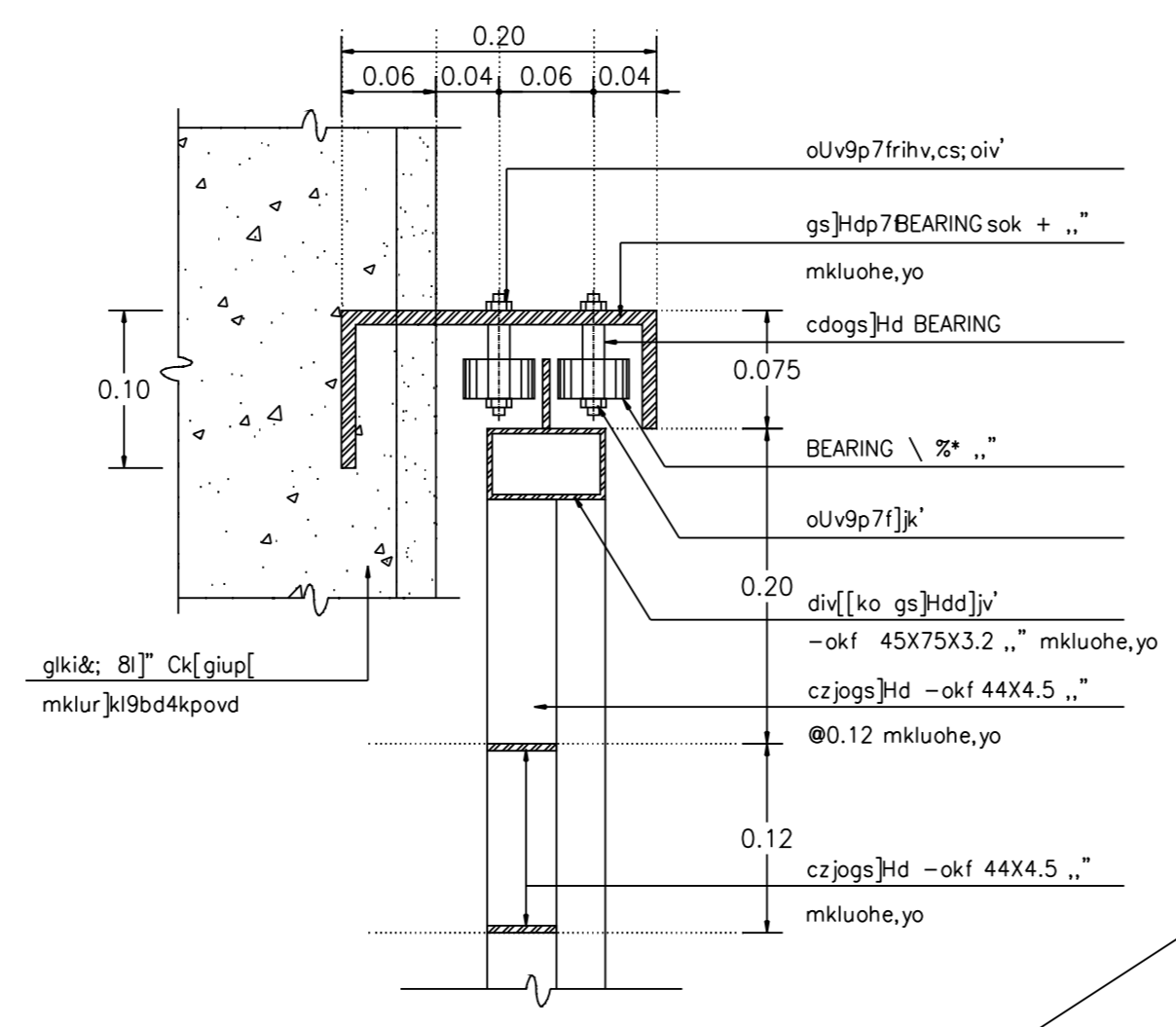
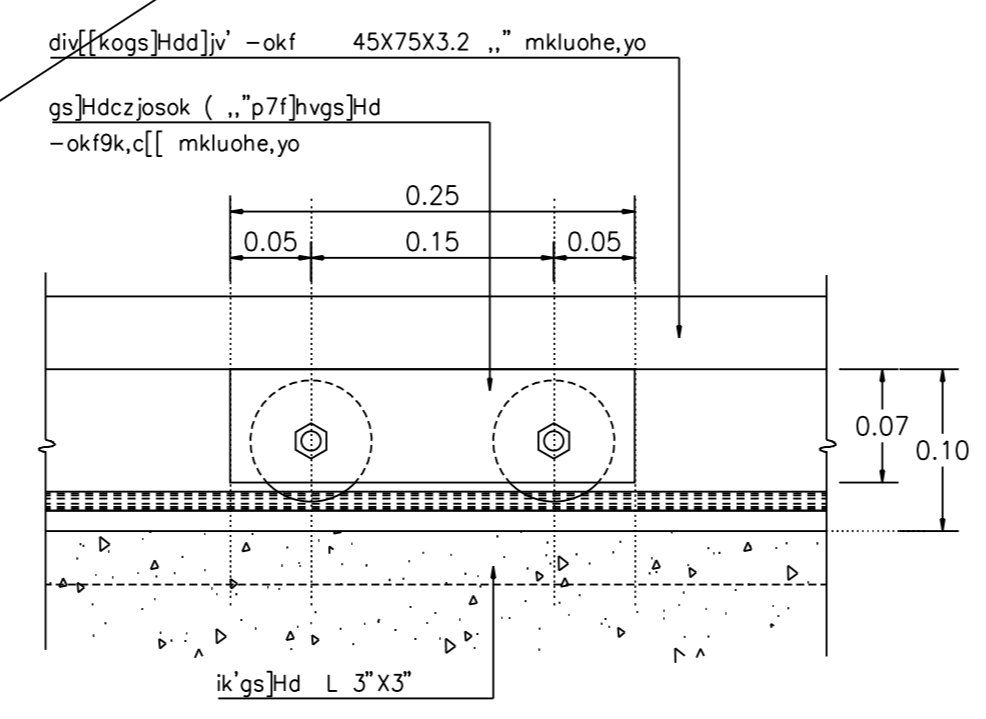


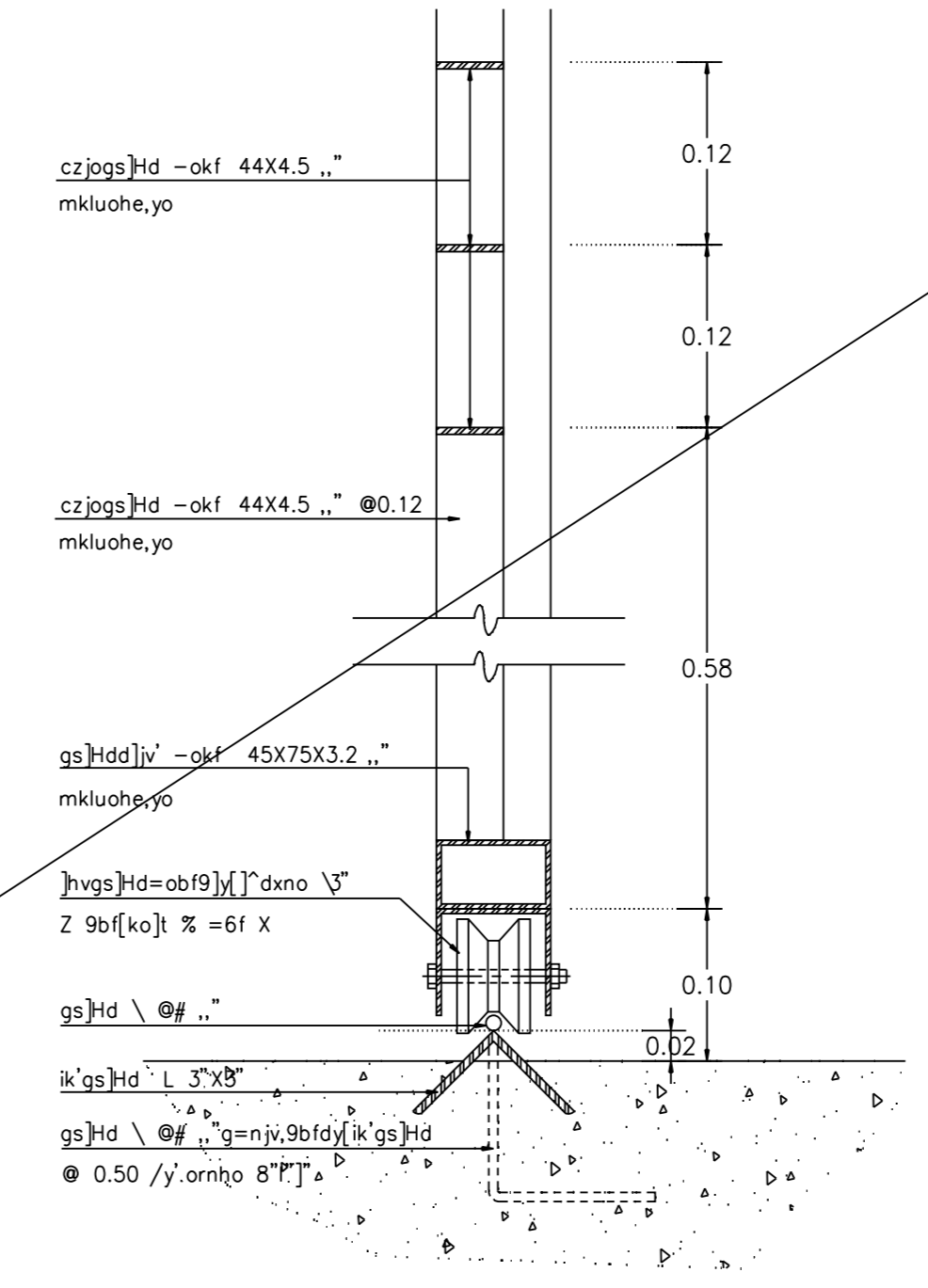
cx]o-pkpglkxit9^
 ,k9ikl}o 1 : 5



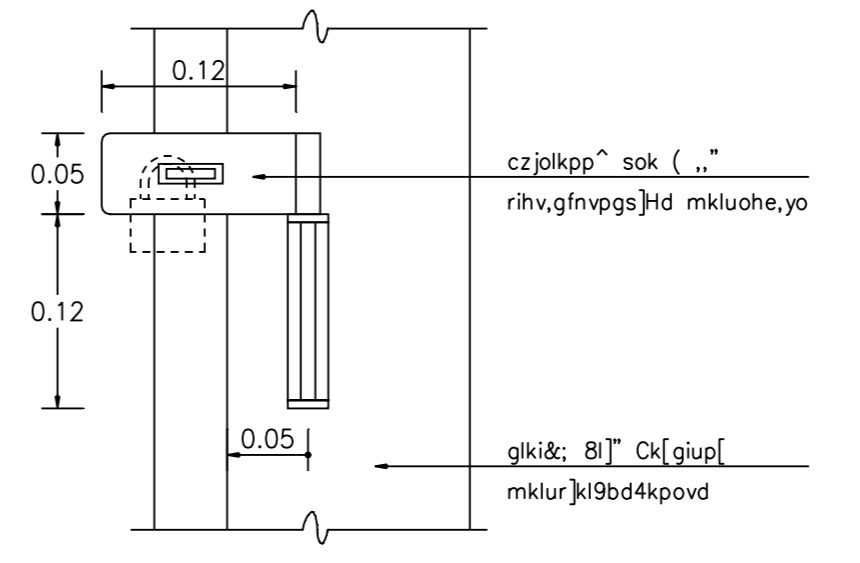
c[[-pkp D1
 ,k9ikl}o 1 : 5 A-40



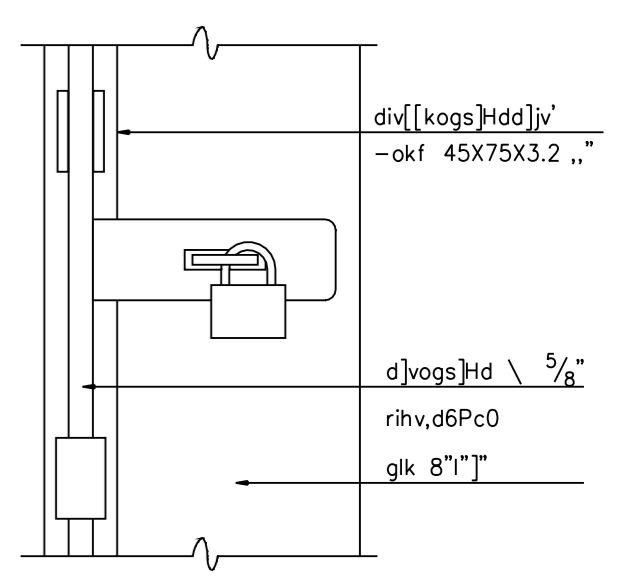
c[[-pkp]hvg]njvxit9^ D3
 ,k9ikl}o 1 : 5 A-40



c[[-pkp D2
 ,k9ikl}o 1 : 5 A-40



c[[-pkp]czjo8]hv'c,jd6Pc0 D4
 ,k9ikl}o 1 : 5 A-40



c[[-pkp]vxit9^ D4
 ,k9ikl}o 1 : 5

REVISIONS	DATE
A c[[-pkp]	15/2/2000
NOTE • ALL DIMENSIONS ARE IN METER UNLESS OTHERWISE INDICATED • NO DIMENSION SHALL BE SCALED • ALL DRAWINGS ARE THE PROPERTY OF THE AREA CO.,LTD. AND CAN NOT BE USED REPRODUCED OR DUPLICATED WITHOUT PERMISSION	
OWNER Tok8kigrn jvdkgdk9i c]Usildkdkk9i	
DESIGNER AREA <small>AREA CO.,LTD.</small> 111/1 Ladpra23 Ladpra Chulachok Bangkok 10900 Tel. (662) 5139533-5 Fax. (662) 5139536	
I5kxobd v]din 9k=" 15"000# :yo=yp [6P;ib=pN 15"0#4 ri=yp db9b;ilwik 15"7#4 :H[" jn gdp;K;6-d 15"000# ASSISTANT ARCHITECT gdlup wdi clo6;LN ;bl; diFBi'lihk' ,kot. di'Pr'KNL ydBN 15"70]# v]din 9k=" 15"000# foyp i; kTC. 15"7# ;bl; di6-k4b[k] i64ymi : kb=pN6] lod'0]# Lbib=yp 0yo9iu06] xi'f' ;bl; diwaahk [i0' g0bPab0~]z] :od'0]# =yp;yaN : njdi' 4od'*90% ;bl; diq8in jv'd iy' ob9bro 15"0%_# ,yIRokdi ruil69 i6;ilapt;bdpN 15"7#04 ibmTb=yp v6jppryd3] 24kp.oX DRAWN DATE [ber9i s;yl;ug]bt CHECKED APPROVED FBi'dki vk8kileoyd'kolk-k mu]9&' v' -j' 0' Oyam[6iu c[[-pkp]hvg]njvxit9^ c[[-pkp]k]tgvpuf xit9^iyh;	
FILE NO 9911	DRAWING NO A - 40
DATE 15 / 2 / 2000	
SUB TOTAL	GRAND TOTAL

