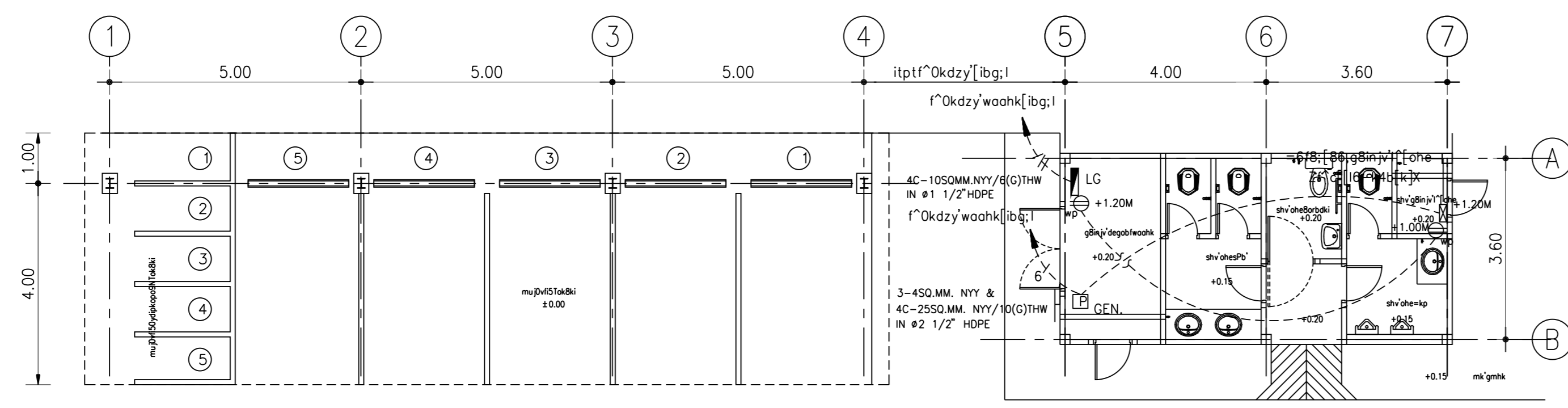


cx]o9bf9yh'it[[ waahk mu]0vfi5Tok8ki  
Z cx]omuj0vfi50dtkp0p09N fhka:hkp X  
.k9iki]o 1 : 100

cx]o9bf9yh'it[[ waahkcl;l; jk' shv'ohel^d8hk  
Z cx]jshv'g8injv'degobfwaahk fhka:hkp X  
.k9iki]o 1 : 100



cx]o9bf9yh'it[[ waahkg9hkiy] shv'ohel^d8hk  
Z cx]jshv'g8injv'degobfwaahk fhka:hkp X  
.k9iki]o 1 : 100

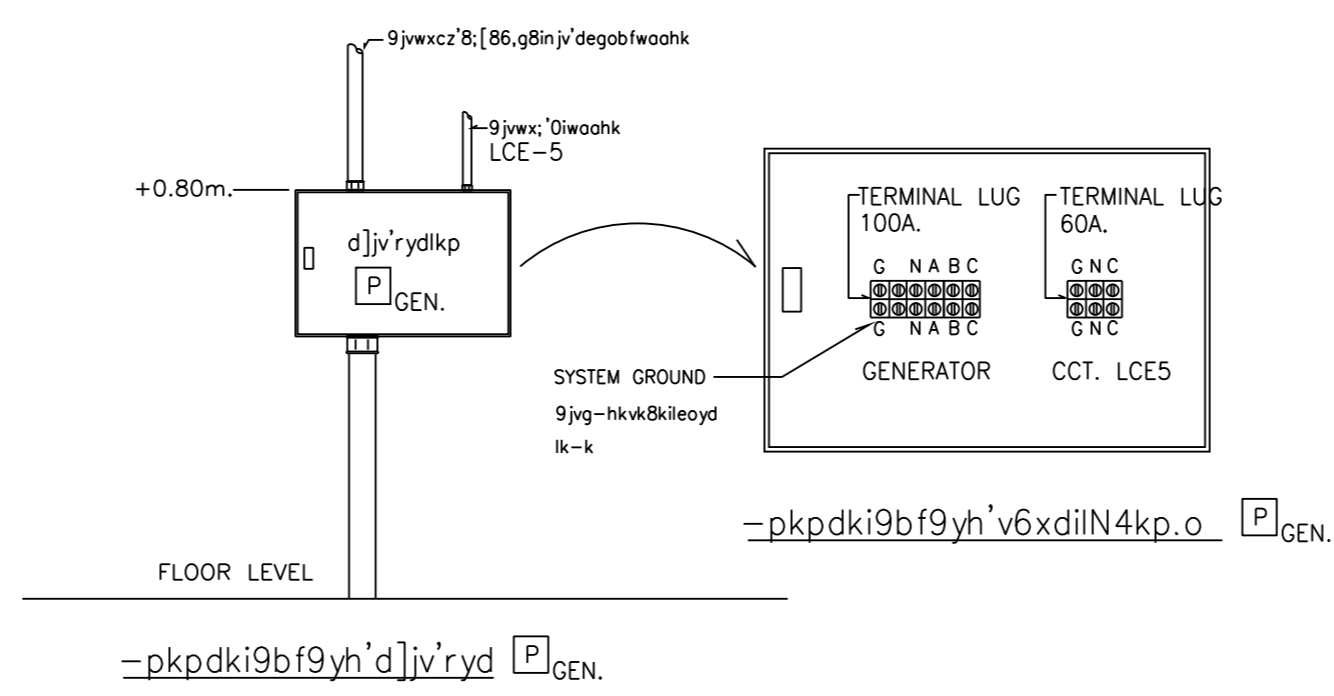
PANEL LOAD SCHEDULE		3PHASE 4 WIRES, SN, 220/380 VOLTS		100 AMP MAINS LUGS SURFACE MOUNTED		
CKT NO	DESCRIPTIONS	LOAD IN VA			BREAKER AT POLE	CONDUCTOR SIZE (SQMM)
		A	B	C		
1	cl;l;k'	500			10 1	2-2.5
3	mu]0vfi5Tok8ki Zl'zy'waahk]ibg;ix	500			20 1	3-4 NYY
5	leiv'		3		16 1	3
7	leiv'			16	1	3
9	3			3	3	3
11	3			3	3	3
2	g9hkiy]	500			10 1	2-2.5/1.5(G)
4	3			3	3	3
6	3			3	3	3
8	3			3	3	3
10	3			3	3	3
12	3			3	3	3

TOTAL CONNECTED LOAD (VA)

MAIN CIRCUIT BREAKER 40... AT 14KA AT 380V.

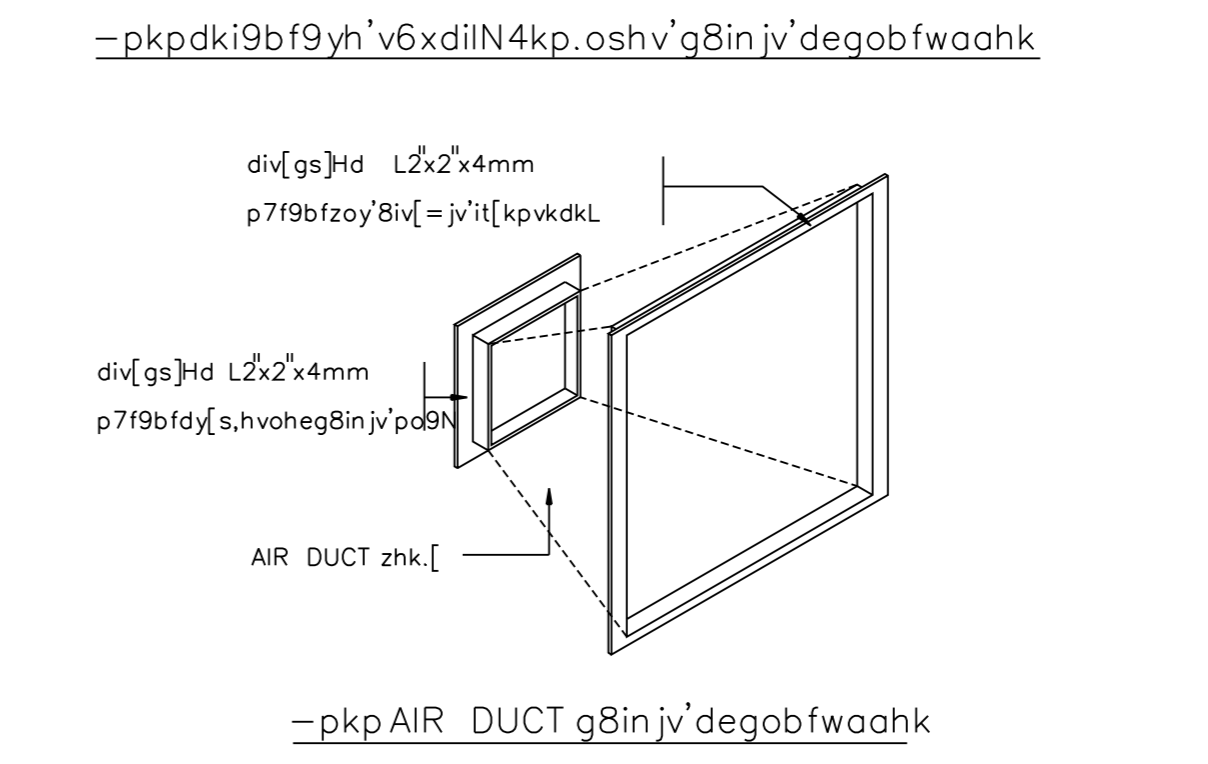
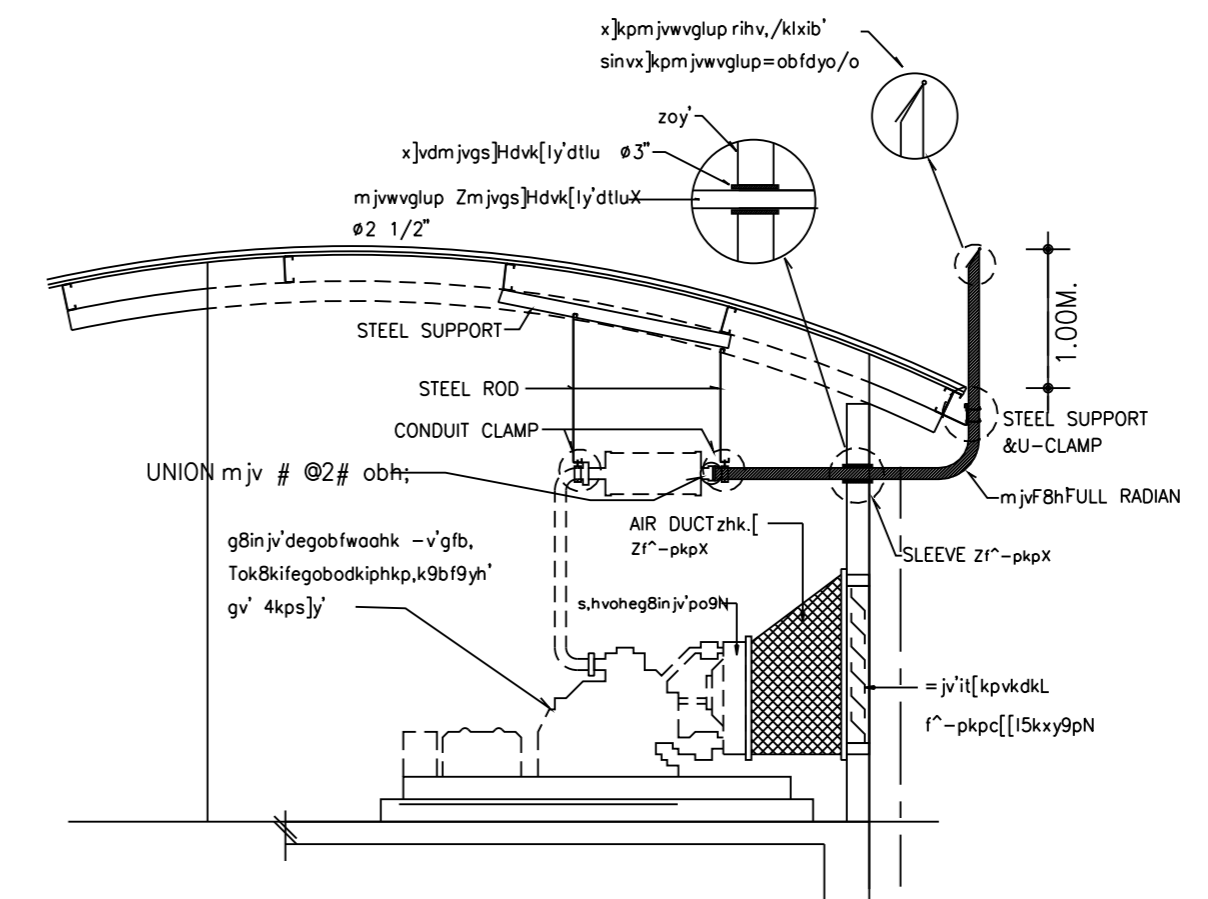
MAIN FEEDER (SQMM) 4(1C-10)NYY/6(G)THW IN HDPE

CONNECTED TO CB LG 4kp.o MDBvk8kileoyd'ko



lyPP]ydkIN  
 LG  
 +2.00M  
 CB-CAR  
 2POLE 15AT.  
 wp  
 2Sobwp  
 wp  
 GEN.  
 wp  
 GEN.  
 wp

s.kp96  
 3F8,waahk c];yfv6dNxiitv[dkibf9yh'it[[ waahk9k'q 5hk,uwfhdesofw;hgHovp]k'vno.sh.=h9k,  
 ikpdk;ylf6-v'vk8kileoyd'ko  
 3diumu]meckib9yh'it[[ waahk/y'rhovk8ki shv'ohel^d8hk mu]0vfi5Tok8ki.sh9bf9yh'lkp9y;oeaahk0m]vthv  
 lkpwaahk=obf HDPE myh'ouh.shfegobodkifh;p;Tugfup;dy]it[[ waahkvn]omuj]jvg=n]jv.g,owaahk0kdcz'8;[86,46ahk  
 3dki9bf9yh'it[[ waahklesiy]vk8ki shv'ohel^d8hk mu]0vfi5Tok8ki .sh9bf9yh'lkp9y;oeaahk4kp.om]vthvlpkp  
 =obfEMTFp.=h-v9jv]m]vthvlpkp=obfRAIN TIGHT gm]kyoz]dg;hom]vthvlpkp,g,owaahk .sh'Okdzy'waahk]ibg;ix  
 3z'hiy]Ohk]shv'Oyfsk]9bf9yh'it[[m]jvwglup9k.c[[=pkpshv'g8injv'degobfdesof xitdv]fh;p  
 @'m]jvwglup m]jvgs]Hdv[ly'dtl#2 1/2" Z.=hm]MCwfhX-okf8injv'degobfwaahk-v'gb. -v;yl-okf]wfhmu]j-kTok8ki  
 oy]Okd-hv9jUNION Zi;.myh'UNION 57 X]k;p/klxib'xbfx]kpm]jvwglup Zi;.57/klxib'sinwx]kpm]jvdyo/oX  
 #9y;Oy]p7fm]jvwglu]FEEL SUPPORT .STEEL ROD .CONDUIT CLAMP .U-CLAMP  
 \$'x]v]dits; k'm]jvdy]zoy]vk8ki m]jvgs]Hdv[ly'dtl#3" Z.=hm]MCwfhX  
 %'Oy]me AIR DUCT -v'g8injv'degobfwaahk 9k.c[[=pkp



REVISIONS	DATE
NOTE	
• ALL DIMENSIONS ARE IN METER UNLESS OTHERWISE INDICATED	
• NO DIMENSION SHALL BE SCALED	
• ALL DRAWINGS ARE THE PROPERTY OF THE AREA CO.,LTD. AND CAN NOT BE USED REPRODUCED OR DUPLICATED WITHOUT PERMISSION	
OWNER	
Tok8kigm]jvdkidk9i	
c]ltsididkigqk]9i	
DESIGNER	
AREA CO.,LTD.	
111/1 Ledroo23 Ladoo Chalochak Bangkok 10900	
Tel. (662) 5139533-5 Fax. (662) 5139536	
I5kxobd	
v]d]in 9ik=^	15'000
yo]yp [6P;ib=pN	15'000
okp;bl'"]n g0Bp;k;6c	15'000
okp;Liu;yoN ris;6;ill	15'000
okp;bg=KN g0Bp]tu["]in i]5'000	
;bl;diF8'i]i]h'	
okp]y;yoTN -6m]koom]n]p'(#)0	
okpoboom mv'k lp'%;\$	
;bl;di]6-k4b[k]	
okp]k; 06]jrb0k]in 4d'"]_30	
okp]v]k;F]i0N v699;lxikdi,	
okp=bf=yp =y;k]p]Nxiu=k	
;bl;diwaahk	
okp=yp;yoN :n]y9i' 4od'"]_30%	
okp;boyp mv'ariy90N 4od'"]_30	
;bl;dig8injv'd	
okp]k; 06]jrb0k]in 4d'"]_30	
y]Rokdi	
okp]bm]b=yp v6op]ryoTN 15'"]_24kp.0k	
ok'v]ku;yoN d6p]Tiri9 LK'"]	
okp]d]itl =";KN LK'"]	
DRAWN	DATE
CHECKED	
APPROVED	
F8'i'dki	
xiy]xi6'vk8kileoyd'kolk-k	
Zleoyd'ko # =yhoX	
mu]j9&'	
c[[cl'l'	
cx]o9bf9yh'it[[ waahk	
vk8kishv'ohel^d8hk mu]0vfi5Tok8ki	
dkibf9yh'v6dNshv'g8injv'degobfwaahk	
FILE NO	DRAWING NO
0203	EE-13
DATE	
05 / 02 / 2003	
SUB TOTAL	GRAND TOTAL
13	

Area-A2(roll) 390x600mm.

