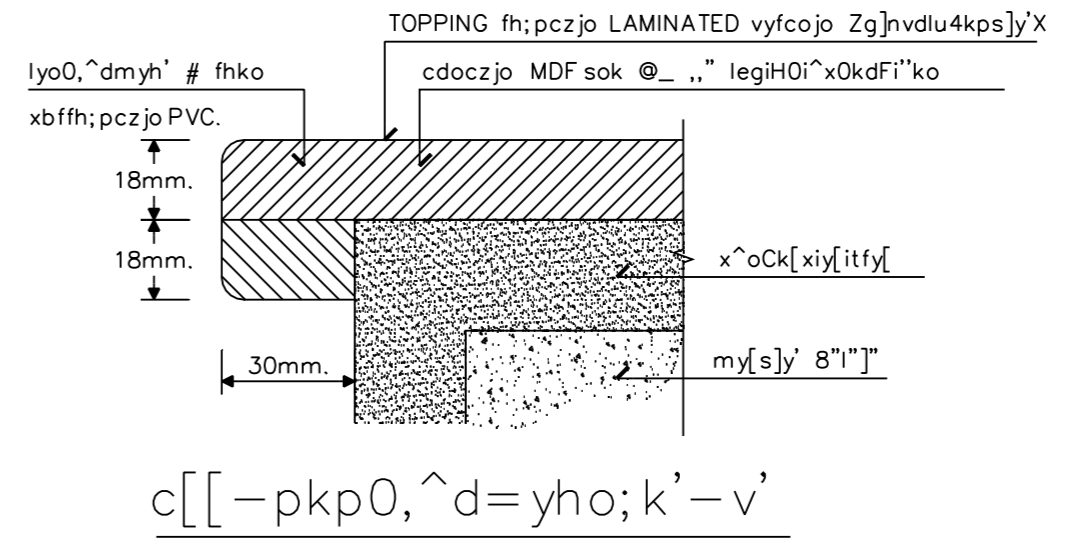
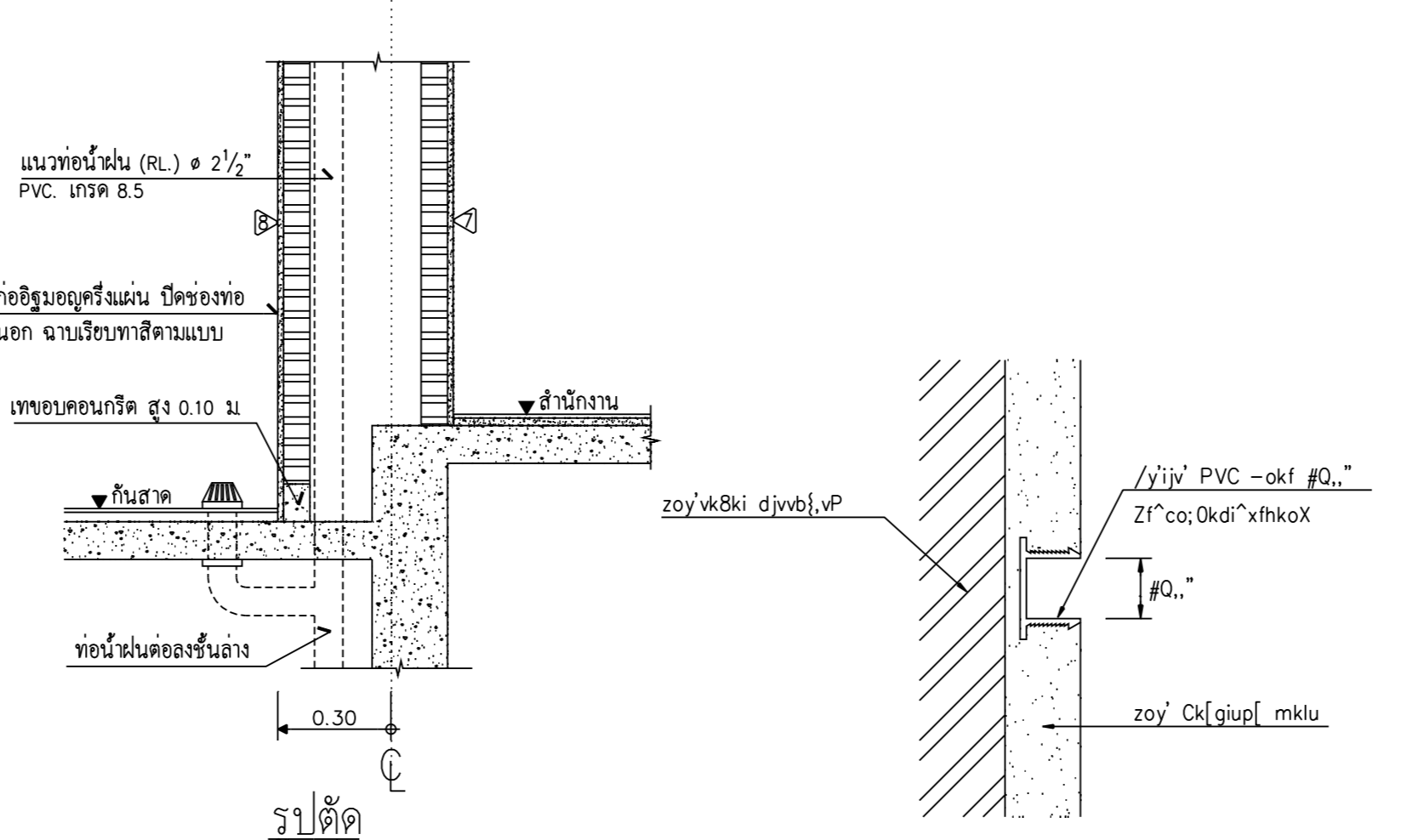
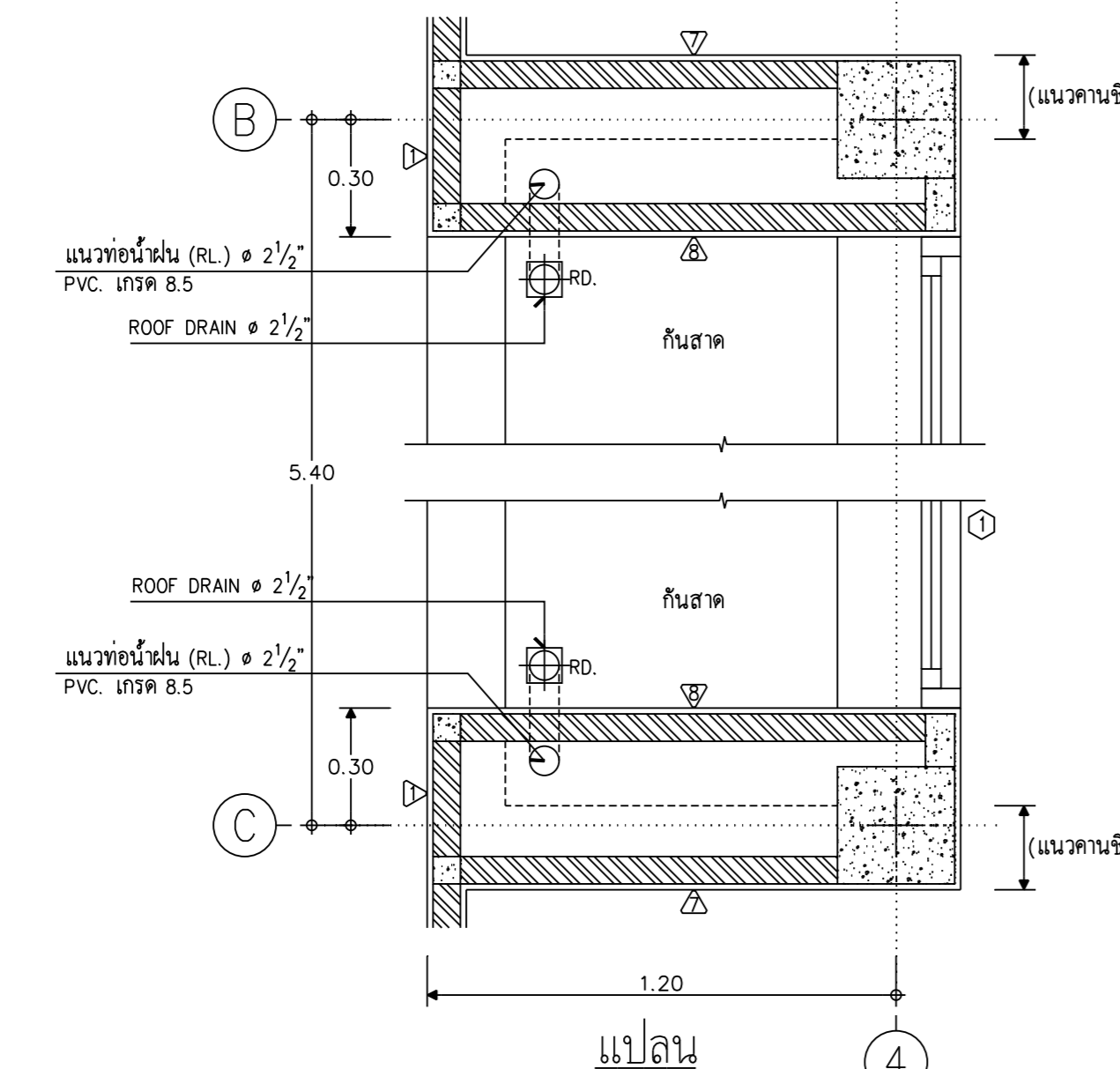


c[-pkp =yho .ozoy' 16
k9ki;o 1 : 25 A-37

c[-pkp =yho .ozoy' 17
k9ki;o 1 : 25 A-37



แบบขยายช่องเดินท่อน้ำฝน แนว B / C 18
มาตรฐาน 1 : 20 A-37

c[-pkpijv' PVC.zoy'fhkoovd 19
มาตรฐาน 1 : 2 A-37

c[-pkp0, ^d=yho; k'-v'
k9ki;o 1 : 2
s,kpgs96 : czjo POSTFORM legHoi'xOkdFi''ko
-v' PERSTORP, WILSONART sinv ADVANCE

| REVISIONS | DATE |
|----------------------------------------------------------------------------------------------------------------------|-------------|
| | |
| | |
| | |
| | |
| | |
| NOTE | |
| • ALL DIMENSIONS ARE IN METER UNLESS OTHERWISE INDICATED | |
| • NO DIMENSION SHALL BE SCALED | |
| • ALL DRAWINGS ARE THE PROPERTY OF THE AREA CO.,LTD. AND CAN NOT BE USED REPRODUCED OR DUPLICATED WITHOUT PERMISSION | |
| OWNER | |
| Tok8kign jvdkgdK9i | |
| c]tsildkigqk9i | |
| DESIGNER | |
| AREA CO.,LTD. | |
| 111/1 Lodprao23 Lodvoo Chaluchok Bangkok 10900 | |
| Tel. (662) 5139533-5 Fax. (662) 5139536 | |
| I5kxobd | |
| v]din 9k=^ | 15°00'00" |
| yo:yp [6P;ib=pN | 15°00'00"4 |
| okp:b[]N g0Bp;k;6cb 15°00'00"1 | |
| okpLuu;yc0N ris;6;iii 15°5'33"4" | |
| okp:bg=KN g0bPtu["iN 115°0'0"1 | |
| ;bl; dif8'i'lihk' | |
| okpLy;yoTN -6mkoomN lp'(#)0 | |
| okpoboom m'v,k lp'#+\$\$ | |
| ;bl; dil6-k4b[k] | |
| okpLpk, 06jrbOkIN 4d')_30 | |
| okpvj;FioN v699,1xkidi, | |
| okp=bf=yp =y=k]pNxiu=k | |
| ;bl; diwaahk | |
| okp=y;yc0N :nj9'i' 4od'x00% | |
| okp:boyp m'v'ory90N 4od'0)1# | |
| ;bl; dig8in jv'd] | |
| okpLpk, 06jrbOkIN 4d')_30 | |
| y]Rokdi | |
| okpLbmTb=yp v6optryoTN 15°[24kp,ok | |
| ok'wku;ypN d6ptTir9 LK"1 | |
| okp:blit =";KN LK"1 | |
| DRAWN | DATE |
| CHECKED | |
| APPROVED | |
| F8'i'dki | |
| xiy]xi6'vk8kileoyd'kolk-k | |
| Zleoyd'ko \$ =yhoX | |
| muj9&' | |
| c[clf' | |
| c[-pkp=yho.ozoy' @ (} @ | |
| c[-pkp=jv'gfbomjvohe/o @ | |
| c[-pkpijv' PVC zoy' @+ | |
| FILE NO | DRAWING NO |
| 0203 | A - 37 |
| DATE | |
| 21 / 02 / 2003 | |
| SUB TOTAL | GRAND TOTAL |
| 46 | |

Area-A2(roll) 390x600mm.

