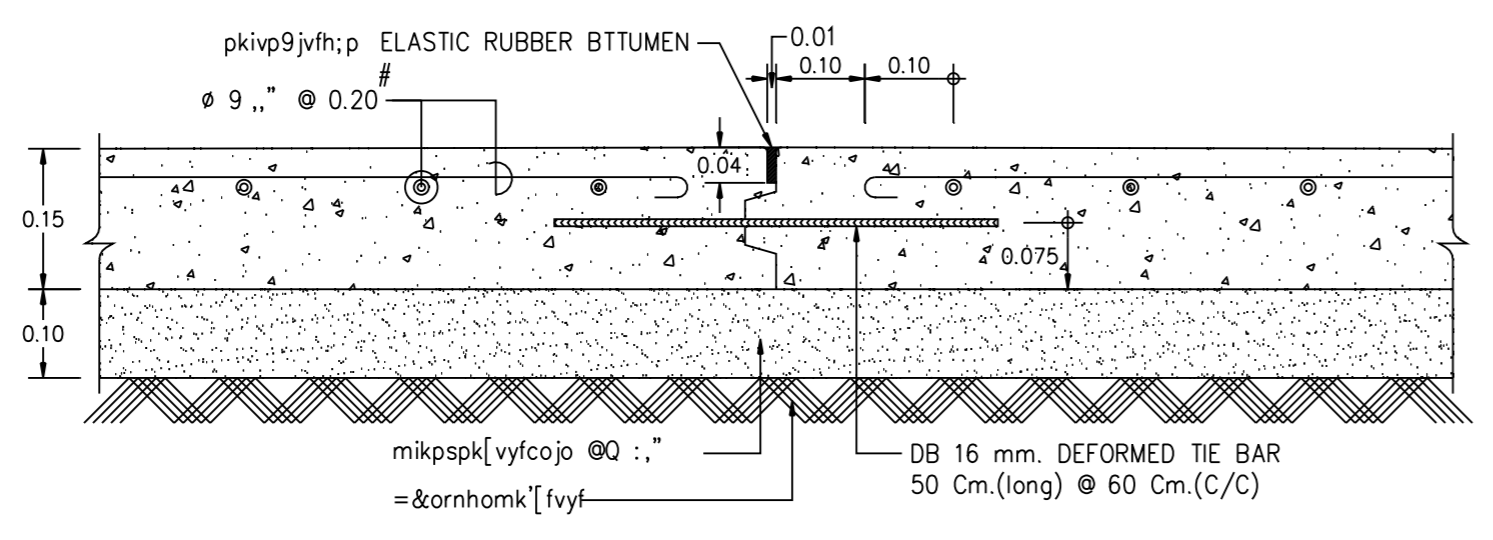
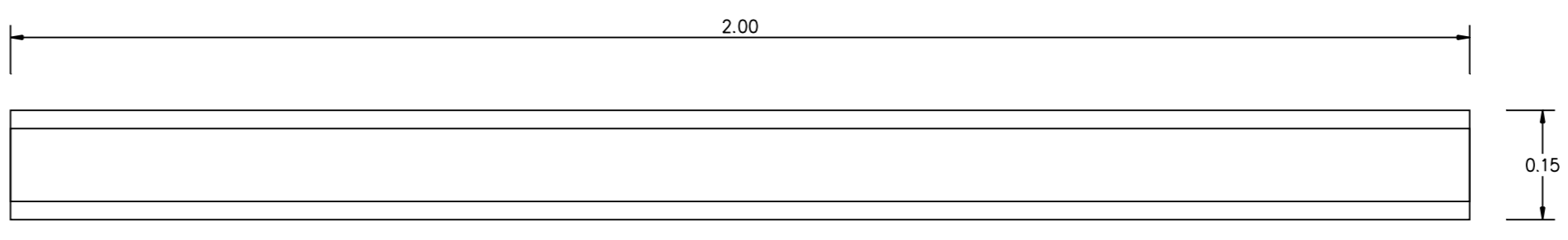
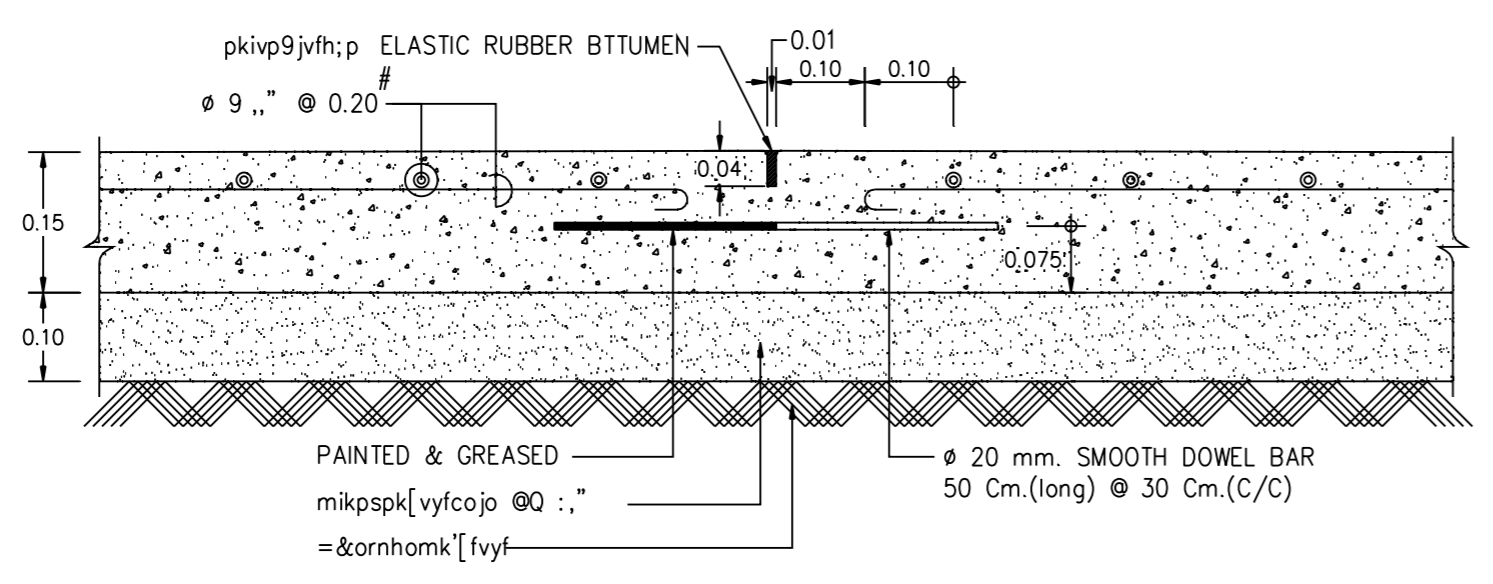


c[[-pkpdkiglib,gs]Hd50oc]tmk'gmhk
k9ikljo 1 : 20

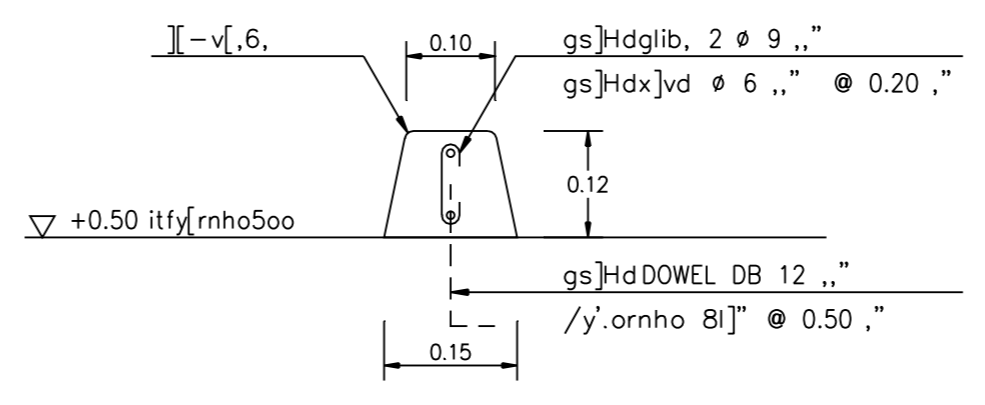


c[[-pkp LONGITUDINAL JOINT
k9ikljo 1 : 10

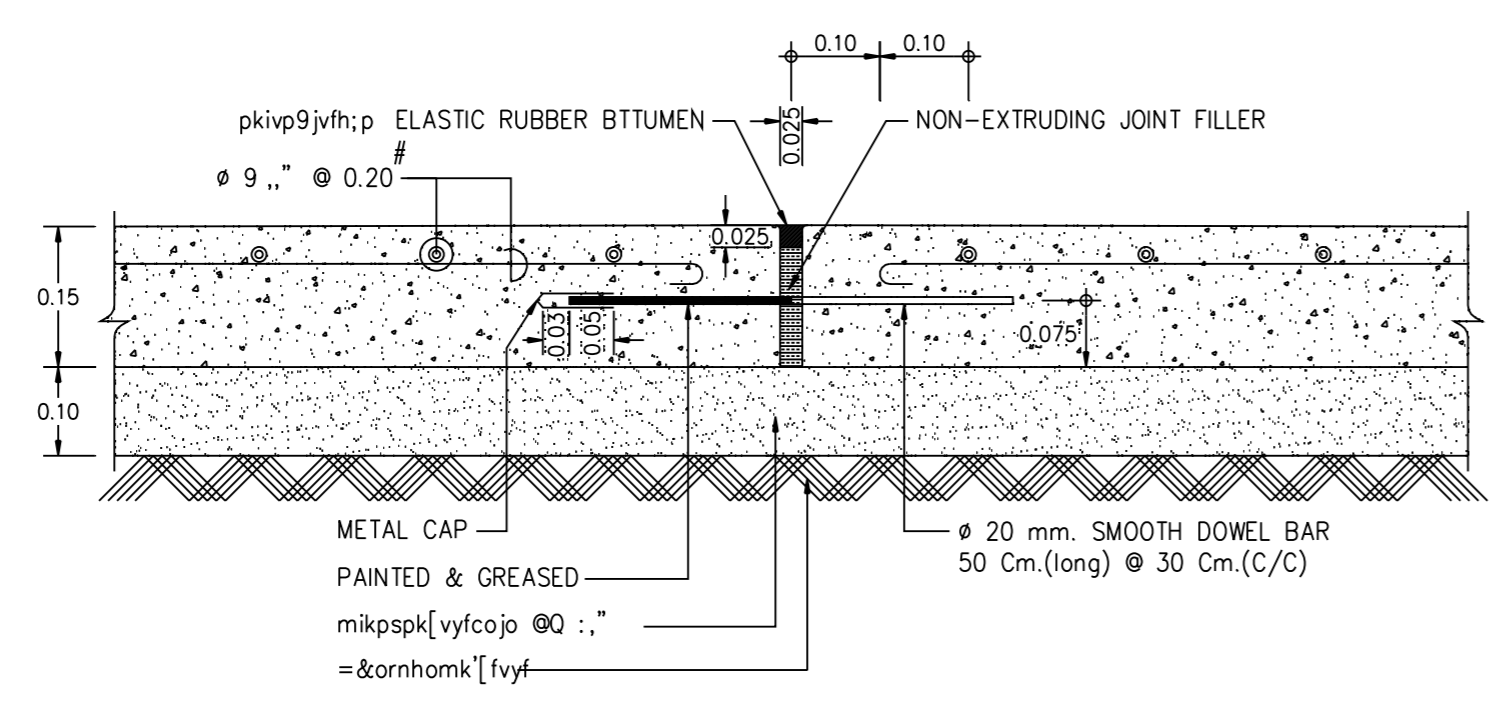
cx]o-pkp8yoshk,]hv
k9ikljo 1 : 10



c[[-pkp CONTRACTION JOINT
k9ikljo 1 : 10



i^x9yf-pkp8yoshk,]hv
k9ikljo 1 : 10



c[[-pkp EXPANSION JOINT
k9ikljo 1 : 10

REVISIONS	DATE
A c[[-pkpdkiglib,gs]Hd50oc]tmk'gmhk	15/2/2000
NOTE • ALL DIMENSIONS ARE IN METER UNLESS OTHERWISE INDICATED • NO DIMENSION SHALL BE SCALED • ALL DRAWINGS ARE THE PROPERTY OF THE AREA CO.,LTD. AND CAN NOT BE USED REPRODUCED OR DUPLICATED WITHOUT PERMISSION	
OWNER Tok8kigrn jvdkgidK9i c]t]tsdildkigqk9i	
DESIGNER AREA CO.,LTD. 111/1 Lodproo23 Ladyao Chulachok Bangkok 10900 Tel. (662) 5139533-5 Fax. (662) 5139536	
15kxobd v]dlin 9ik=^ 15"00# :yo=yp [6P;ib=pN 15"0"4 ri=yp db9b;iklilki 15"7"4 :b["]N g0bP;ik;6cb 15"00#	
ASSISTANT ARCHITECT gduup'wdi clo6;LN :bl; dif8i'lihk' .kot 0i^Pr^XNlydbN ip^"0# v]dlin 9ik=^ ip^"0# foyp i; k'FC, ip^"0#	
:bl; dil6-k4b[k] i64ymi ;ktb=pNd6] lod^"0# Lbib=yp Oyo9iud6] x;"	
:bl; diwaahk [iio^ g0bPdb0r^]z] :od^"0# =yp; ycoN :nj9i^ 4od^"0#	
:bl; dig8in jv'd] ly] ob9bro i^"0#	
:yRokdi ruil69 i6;idpL;bdpN 15"7"04 lbtb=yp v6joptryd9i^"24kp.oX	
DRAWN DATE [tby9i s;ylug]L	
CHECKED	
APPROVED	
F8i'dki vk8kileoyd'kolk-k muj9&' v^-j^ 0^ Oyam[6iu	
c[[-pkpdkiglib,gs]Hd50oc] mk'gmhk c]t]8yoshk,]hv	
FILE NO 9911	DRAWING NO S - 20
DATE 15 / 2 / 2000	
SUB TOTAL	GRAND TOTAL

