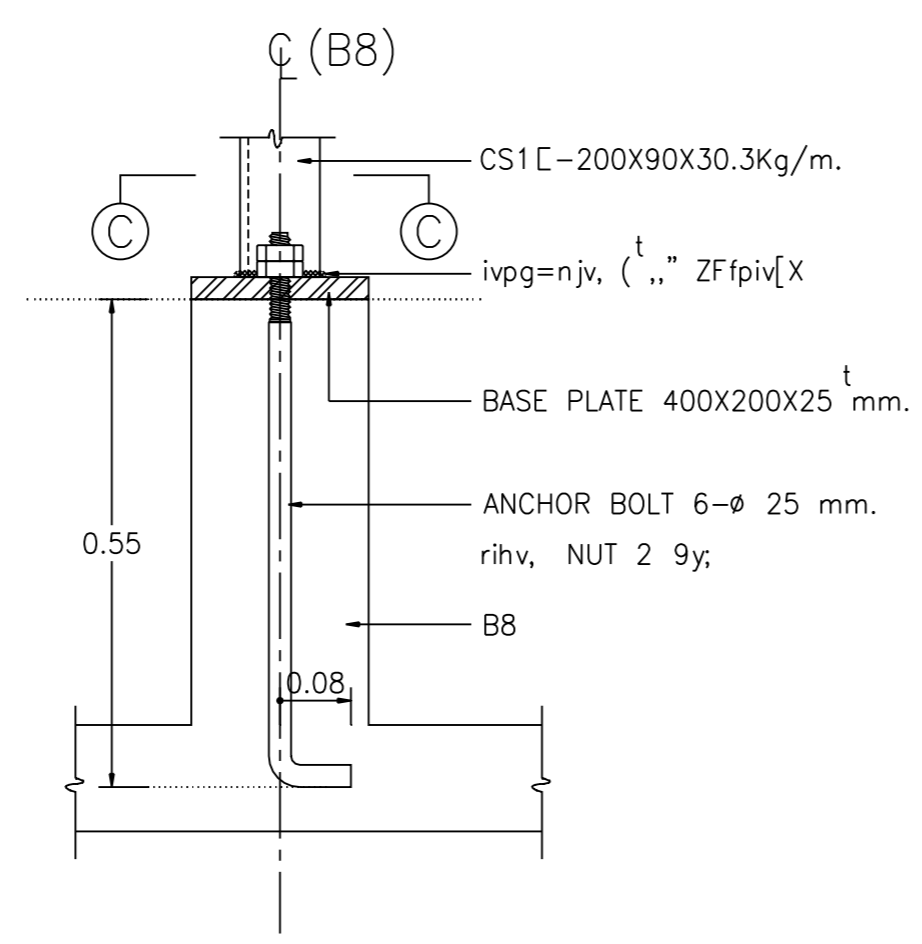
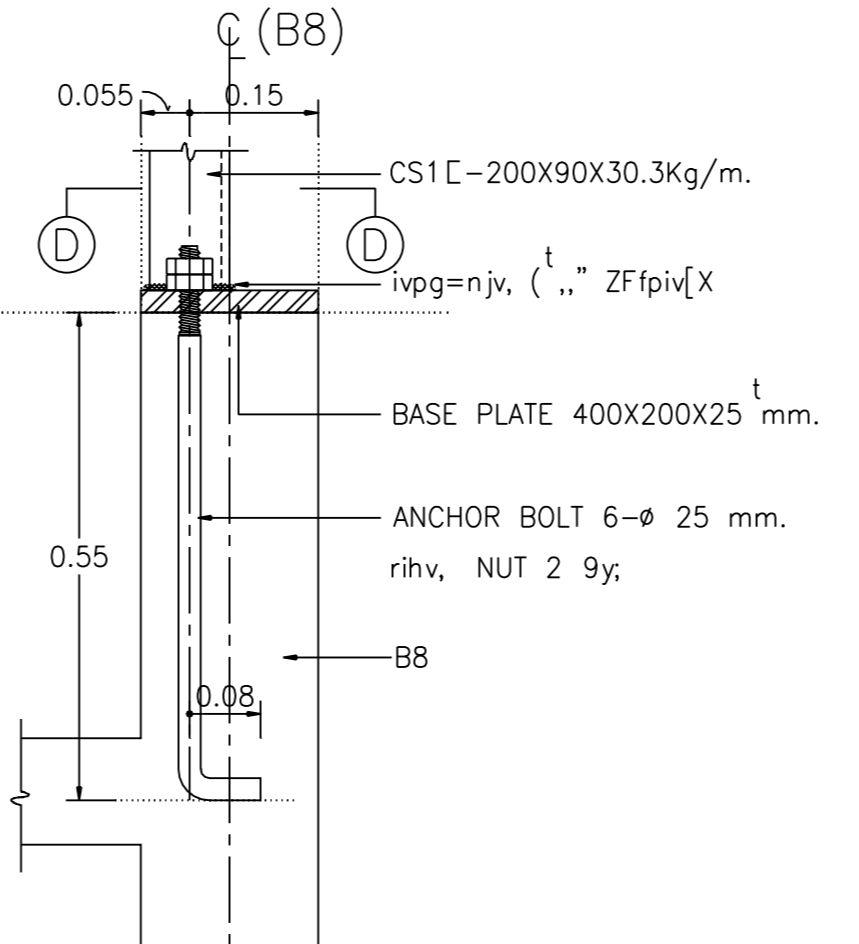


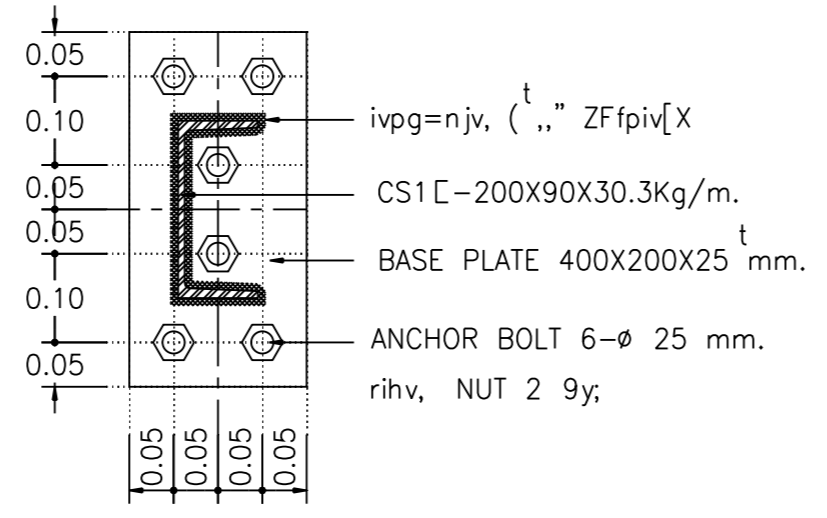
F8i'gs]Hdxhkppvfk8ki
k9ikljo 1 : 50



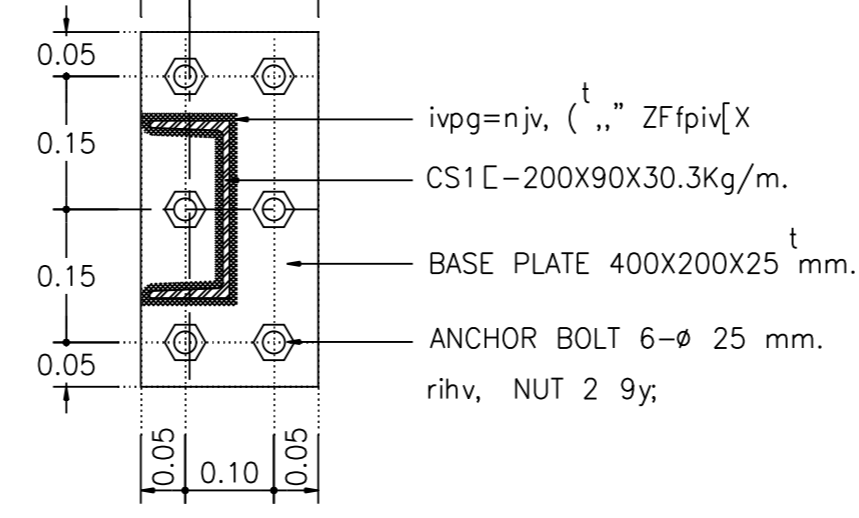
c[-pkp 3
k9ikljo 1 : 10



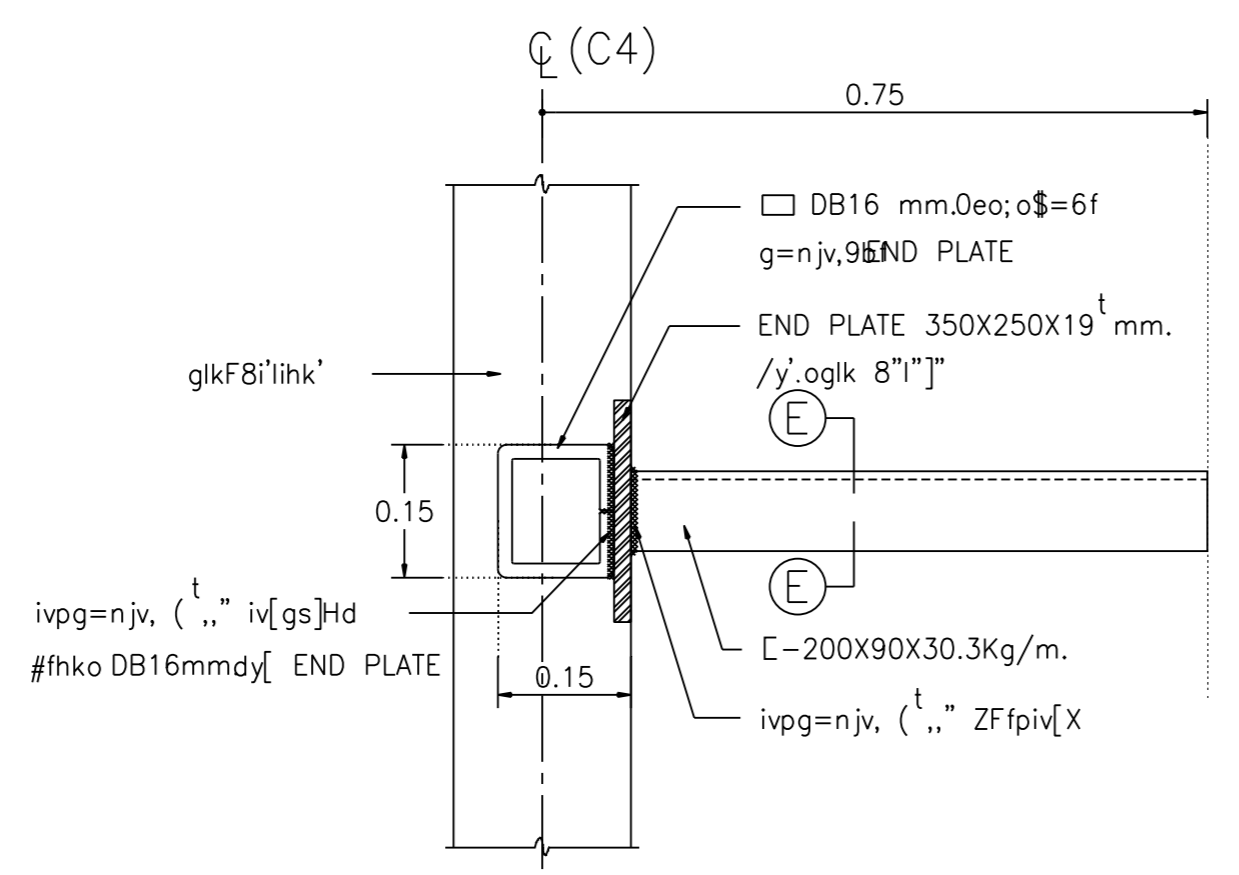
c[-pkp 4
k9ikljo 1 : 10



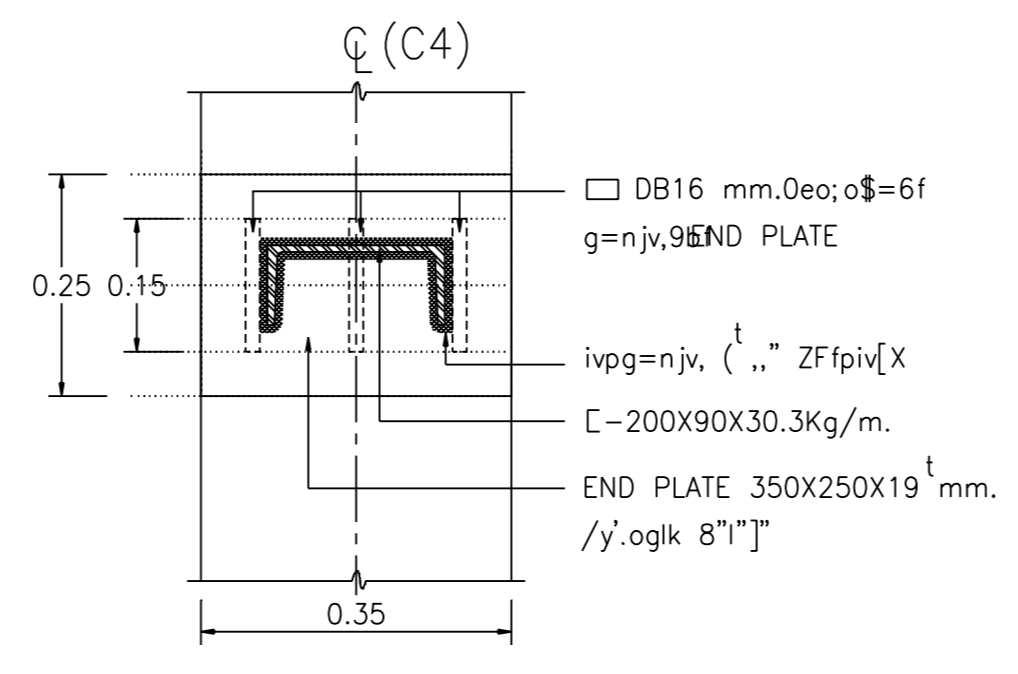
c[-pkpi^x9yf C
k9ikljo 1 : 10



c[-pkpi^x9yf D
k9ikljo 1 : 10



c[-pkp 5
k9ikljo 1 : 10



c[-pkpi^x9yf E
k9ikljo 1 : 10

REVISIONS		DATE
A	c[djvirk'	15/02/2000
NOTE		
<ul style="list-style-type: none"> • ALL DIMENSIONS ARE IN METER UNLESS OTHERWISE INDICATED • NO DIMENSION SHALL BE SCALED • ALL DRAWINGS ARE THE PROPERTY OF THE AREA CO.,LTD. AND CAN NOT BE USED REPRODUCED OR DUPLICATED WITHOUT PERMISSION 		
OWNER		
Tok8kigrn jvdkgdK9i		
c]tsdildkigqk9i		
DESIGNER		
111/1 Lodproo23 Lodoo Chaluchok Bangkok 10900		
Tel. (662) 5139533-5 Fax. (662) 5139536		
15kxobd		
v]din 9ik=^	15°00'00"	
:yo=yp [6P;ib=pN	15°00'00"	
ri=yp ob9b;iklilki	15°00'00"	
:b[°]N g0bP;ik;6cb	15°00'00"	
ASSISTANT ARCHITECT		
gdup'wdi clo6;LN		
:bl; dif8i'lihk'		
:kot 0i°P°K°N;lydbN	ip°00'00"	
v]din 9ik=^	ip°00'00"	
foyp i; k'FC.	ip°00'00"	
:bl; dil6-k4b[k]		
i64ymi ;ktb=pNd6]	lod°00'00"	
Lbib=yp 0yo9iud6]	x; i'	
:bl; diwaahk		
[iio' g0bP;ob0r°]z]	:od°00'00"	
=yp; ycoN :nj9i'	4od°00'00"	
:bl; dig8in jv'd]		
lyj ob9bro	id°00'00"	
:yRokdi		
ruil69 i6; idp; bdpN	15°00'00"	
lbtmTb=yp v6joptryd9i' 24kp.oX		
DRAWN		DATE
[tby9i s.y;lug]l		
CHECKED		
APPROVED		
F8i'dki		
vk8kileoyd'kolk-k		
mu j9&'		
v' liirpk 0° =ypokm		
c[clt'		
F8i'gs]Hdxhkppvfk8ki		
FILE NO	DRAWING NO	
9910	S - 18	
DATE	15 / 02 / 2000	
SUB TOTAL	GRAND TOTAL	

