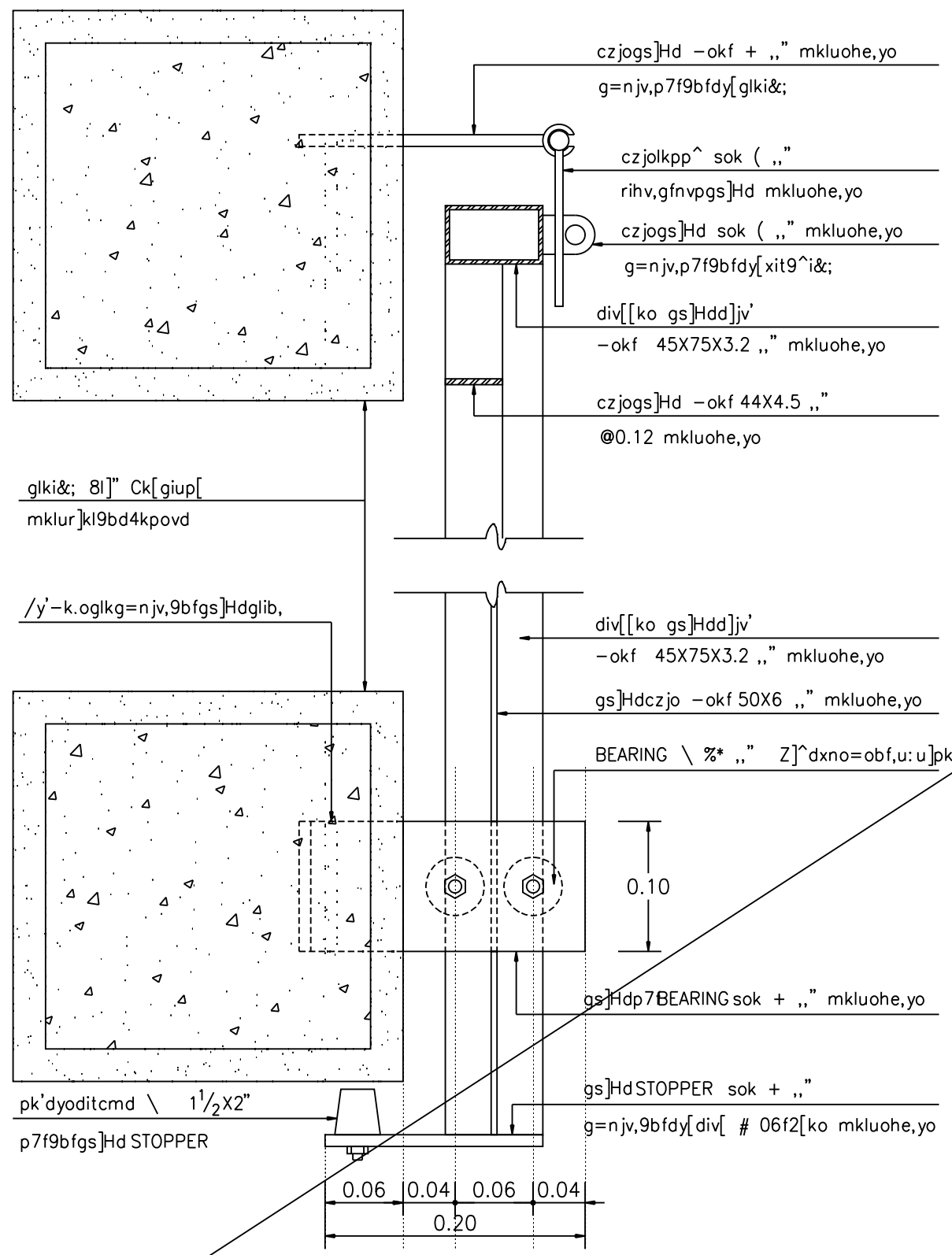
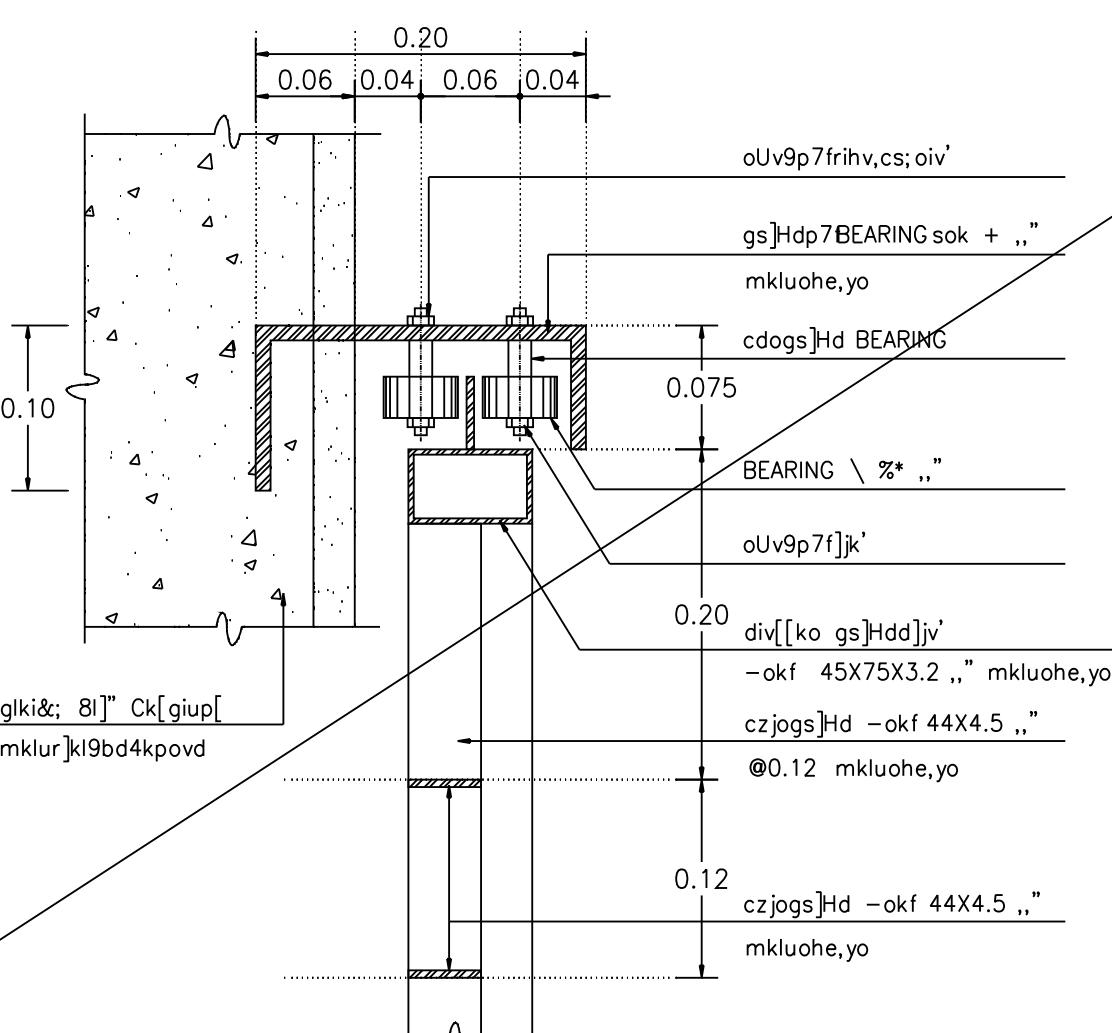


c[[-pkp]x9^iyh;  
k9iki]o 1 : 25 A-40

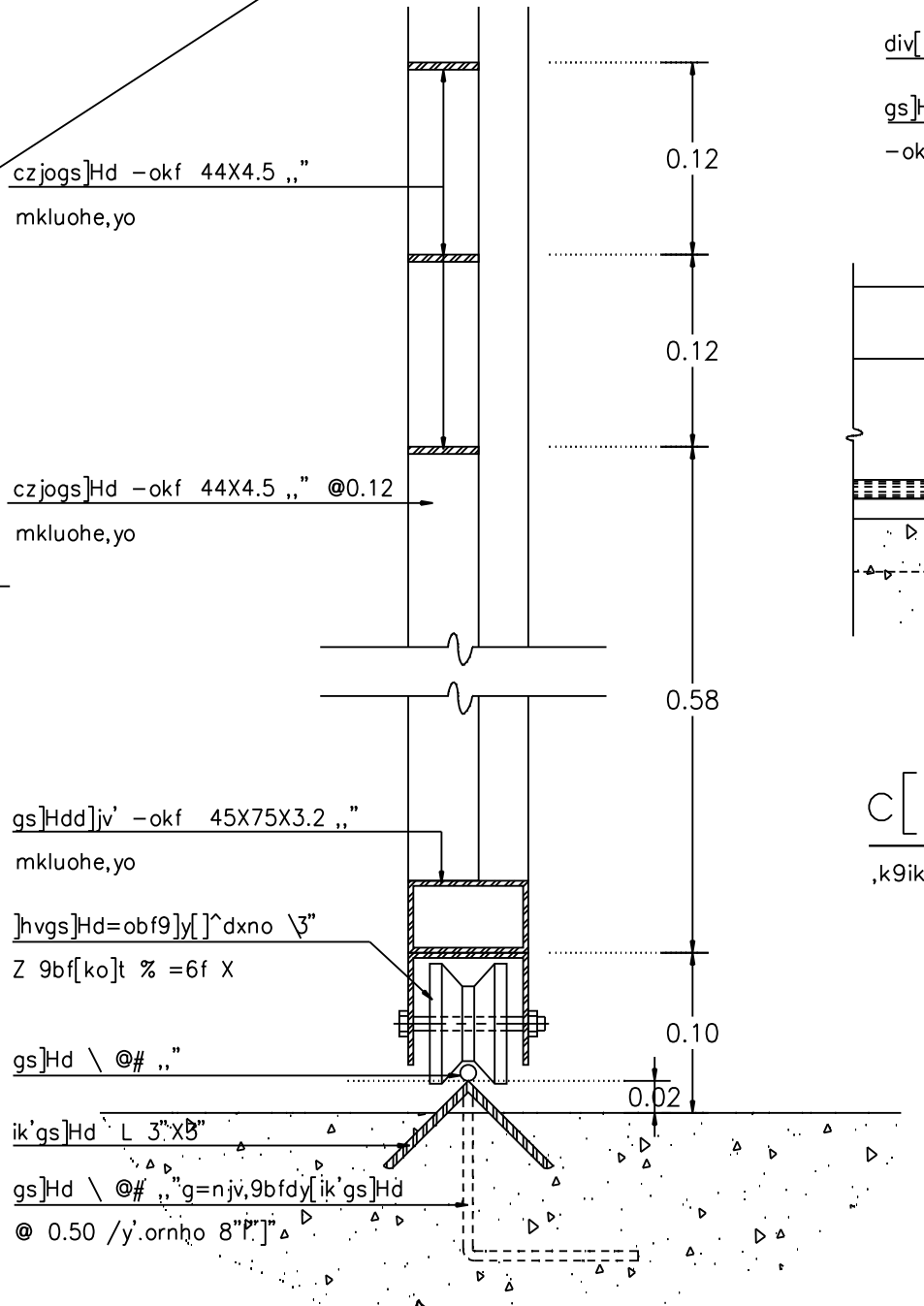
i^x9yf %  
k9iki]o 1 : 25



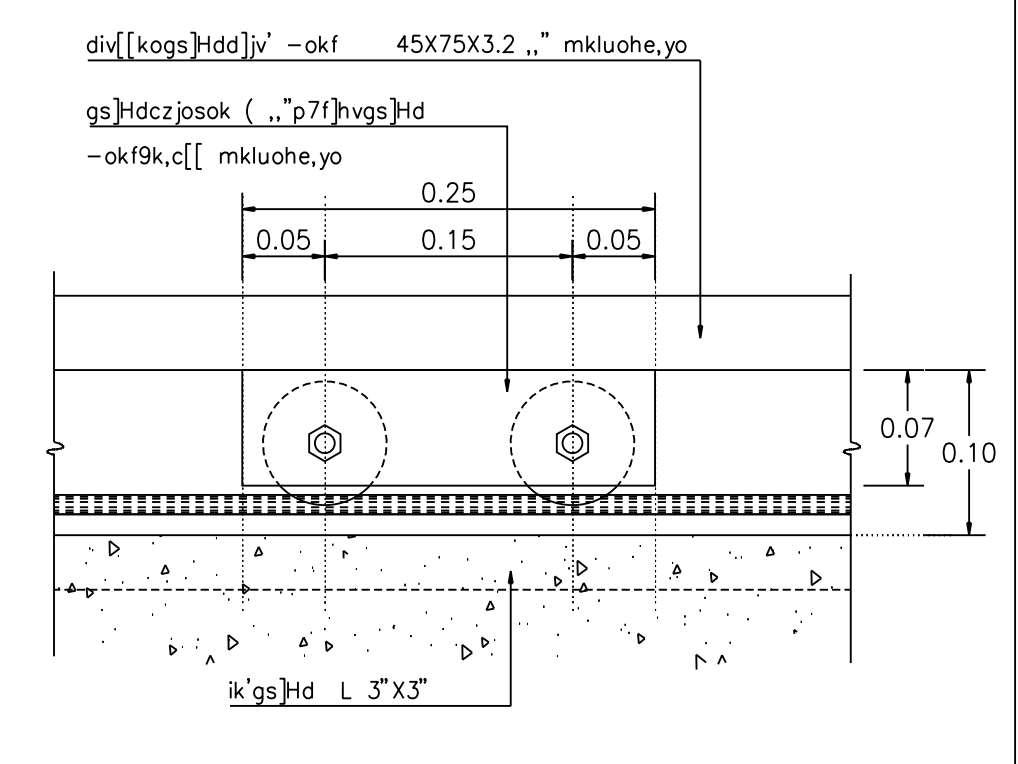
cx]o-pkpglkx9^  
k9iki]o 1 : 5



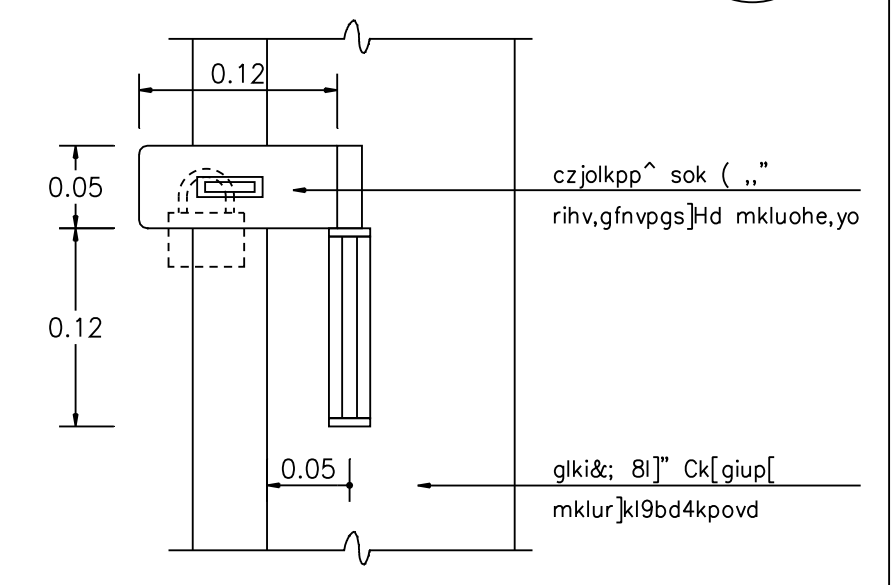
c[[-pkp]  
k9iki]o 1 : 5 A-40



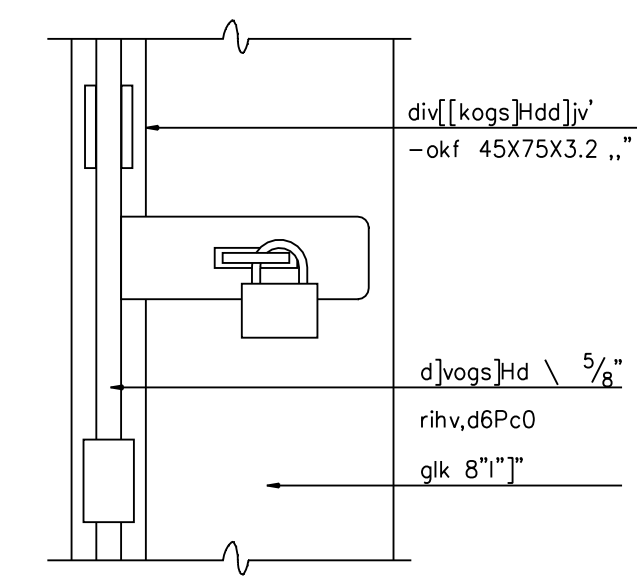
c[[-pkp]  
k9iki]o 1 : 5 A-40



c[[-pkp]hvg]n]vovix9^  
k9iki]o 1 : 5 A-40



c[[-pkpczjo8]hv'c,jd6Pc0  
k9iki]o 1 : 5 A-40



REVISIONS	DATE
A c[[-pkp]	15/02/2000

NOTE  
 • ALL DIMENSIONS ARE IN METER UNLESS OTHERWISE INDICATED  
 • NO DIMENSION SHALL BE SCALED  
 • ALL DRAWINGS ARE THE PROPERTY OF THE AREA CO.,LTD. AND CAN NOT BE USED REPRODUCED OR DUPLICATED WITHOUT PERMISSION

OWNER  
 Tok8kiqrn]vdkigdk9i  
 c]tsidkigdk9i

DESIGNER  
**AREA**  
 AREA CO.,LTD.  
 111/1 Lotpoo23 Ladysoo Chulachok Bangkok 10900  
 Tel. (662) 5139533-5 Fax. (662) 5139536

15kxobd

v]doin 9k="	15°00'00"
:yo=yo [EP:ib=pN	15°0'0"4
ri=yp d99b;ikilki	15°0'0"4
:b[ ]N g0bP;k:6-d	15°00'0"

ASSISTANT ARCHITECT  
 gdiup'wai clo6;LN

:bL; diF8'i]hik'  
 kol 0i'Pv'KNL]ydn 15°0'0"4  
 v]doin 9k=" 15°0'0"4  
 foyp t;K'FC 15°0'0"4

:bL; diI6-k4b[k]  
 i64ymi :kb=pN66] lod'0'0"4  
 Lbb=yp 0y99lu06] xi'f

:bL; diwaahk  
 [i0' g0bPab0r'k] :od'0'0"4  
 =yp;yaN :n]j9i' 4od'0'0"4

:bL; dig8in]v'd  
 [y] ob9bro 1d'0'0"4

:y]Rokdi  
 ru869 i6;ilap;bdpN 15°0'0"4  
 lbn]b=yp v6p9ry99'24kp.oX

DRAWN  
 [bry9i :s]y]lugg]L  
 CHECKED

APPROVED

F8'i'dki  
 vk8kileoyd'kolk-k  
 mu]9&'  
 v' liirpk 0" =ypokm

c[[-pkp]  
 c[[-pkp]k]tg]vupf  
 xit9^i&;

FILE NO 9910	DRAWING NO A - 40
DATE 15/02/2000	
SUB TOTAL	GRAND TOTAL

