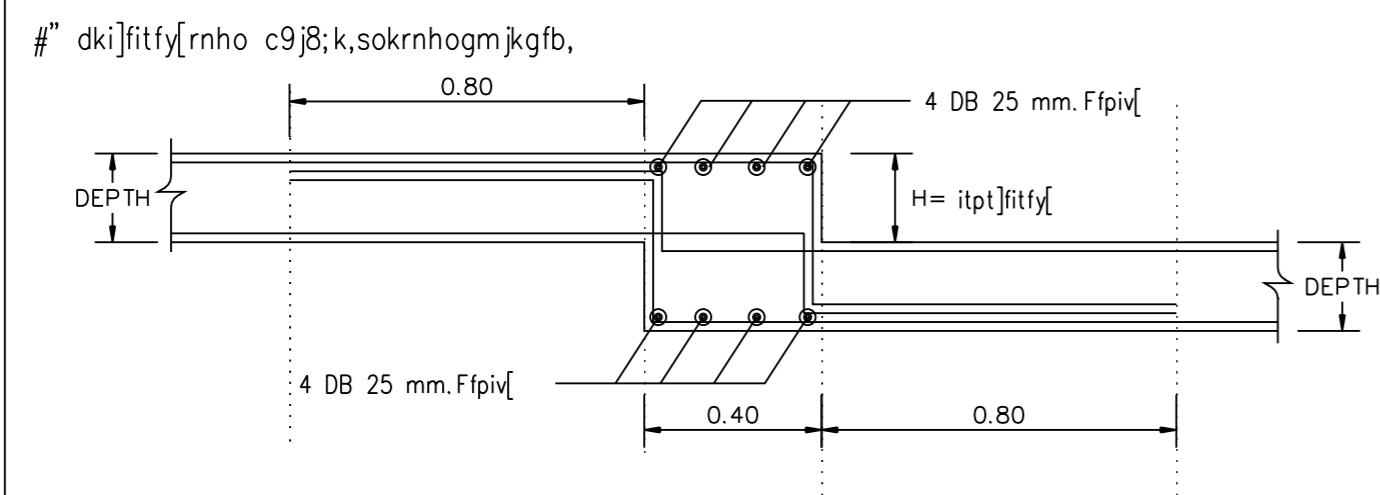
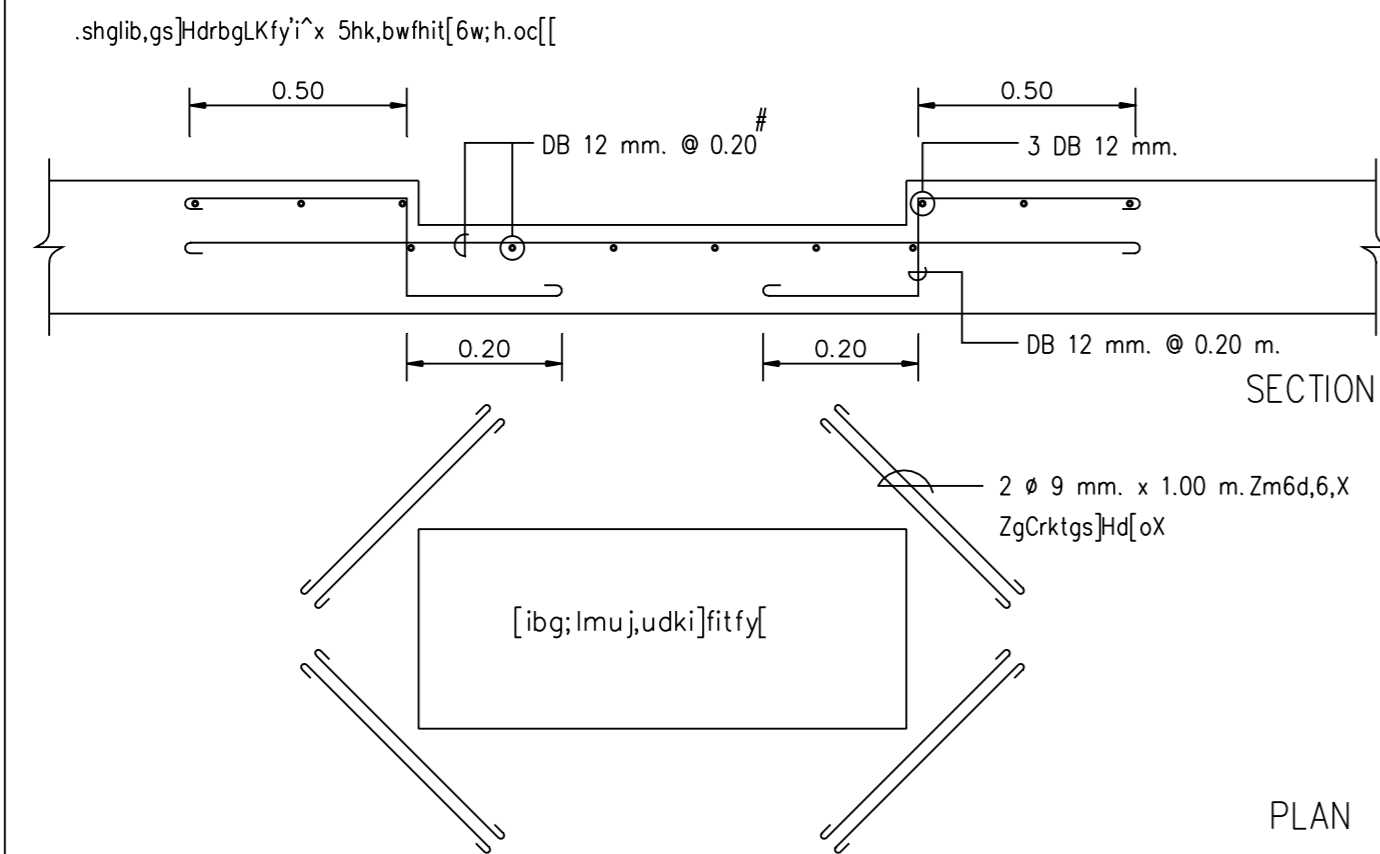
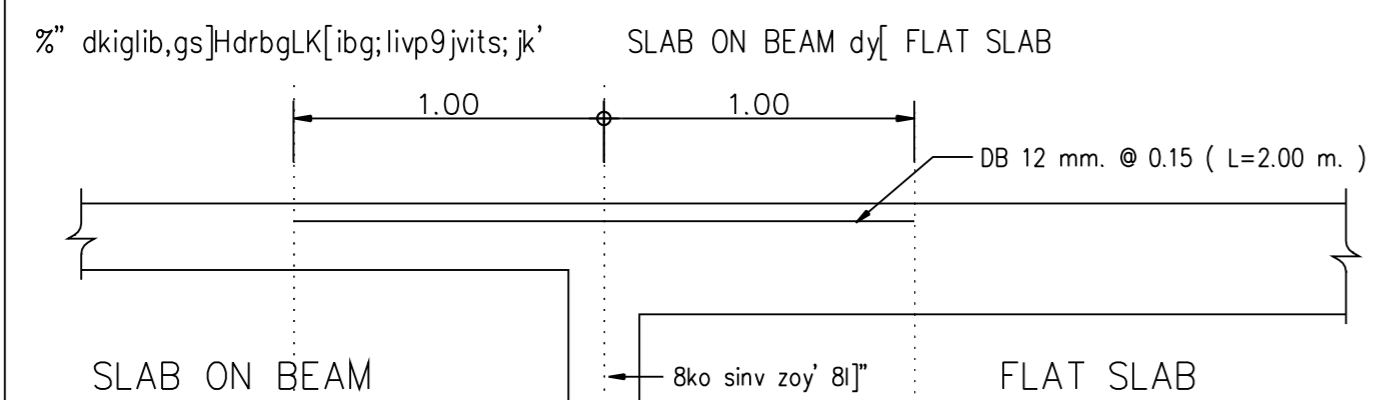
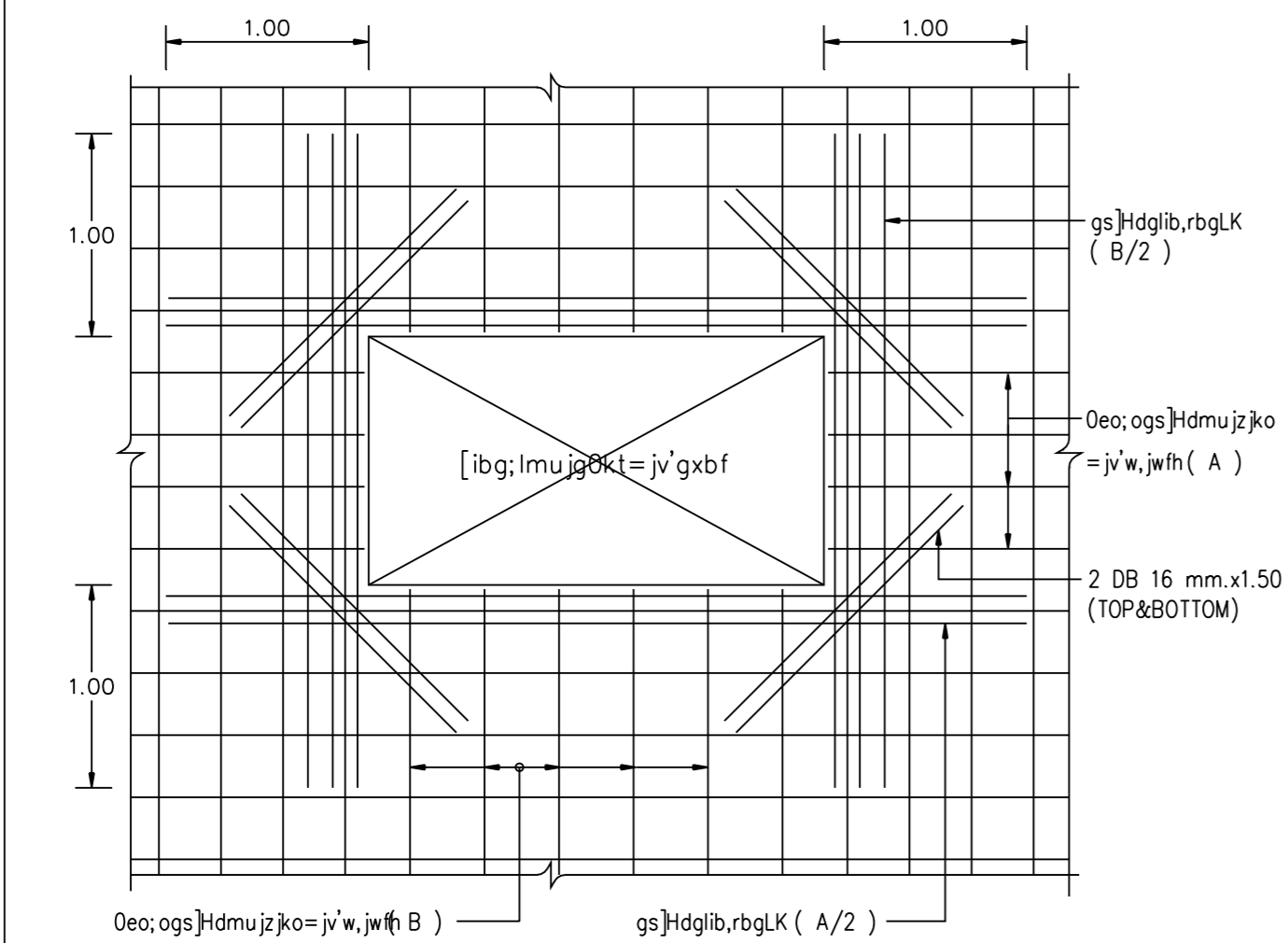


FLAT SLAB

FLAT SLAB

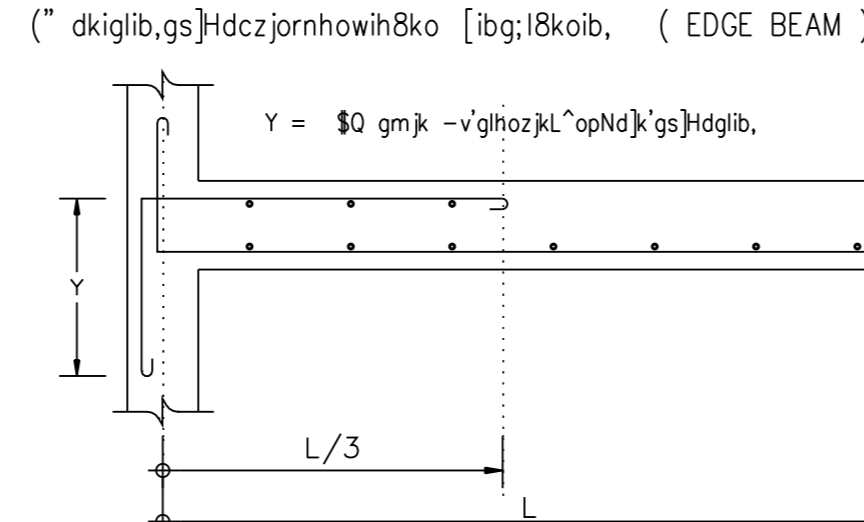
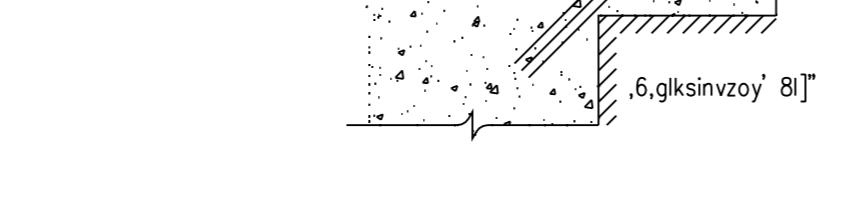


FLAT SLAB



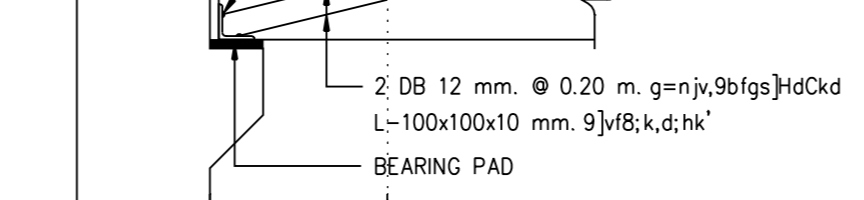
EXPANSION JOINT @ 250 m.

EXPANSION JOINT



CONSTRUCTION JOINT

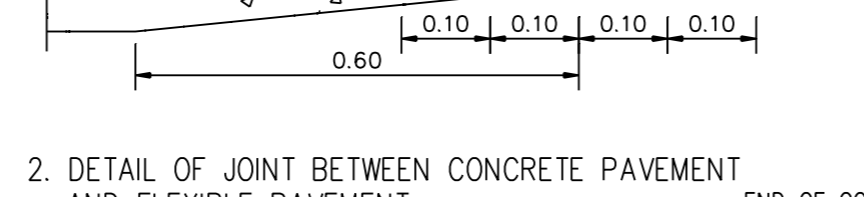
CONSTRUCTION JOINT



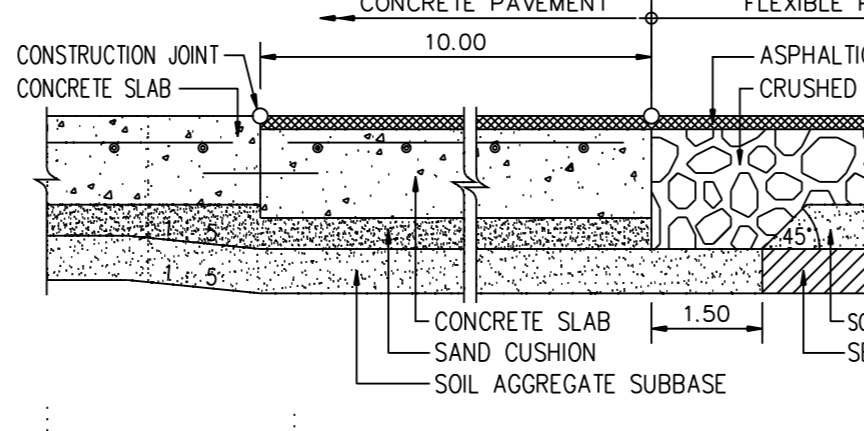
LONGITUDINAL JOINT



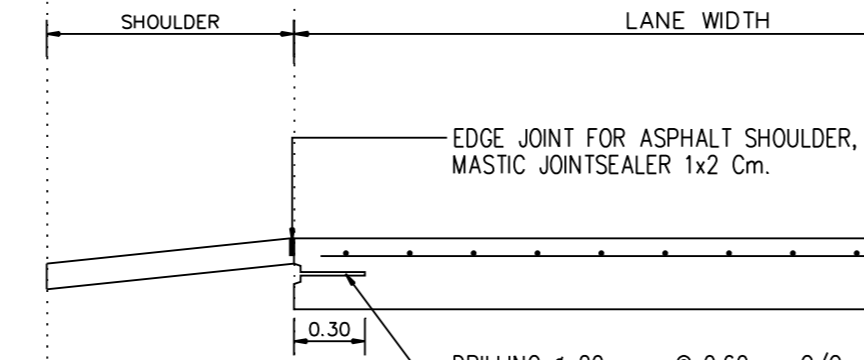
DUMMY JOINT



TYPICAL PLAN OF RC PAVEMENT

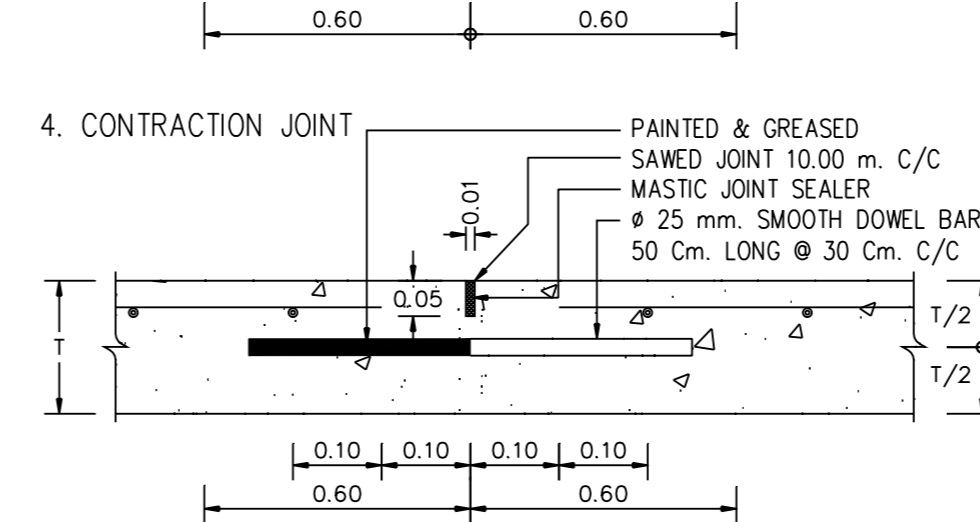
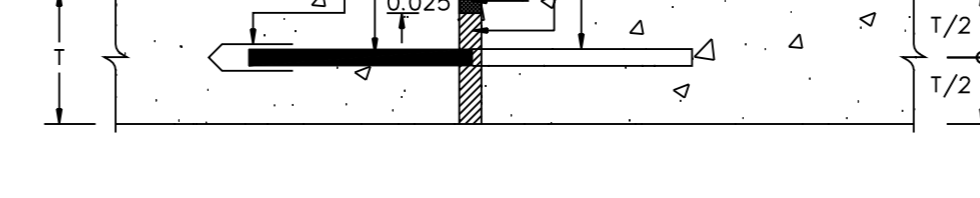


REINFORCEMENT DETAIL OF CONCRETE PAVEMENT (CROSS - SECTION)



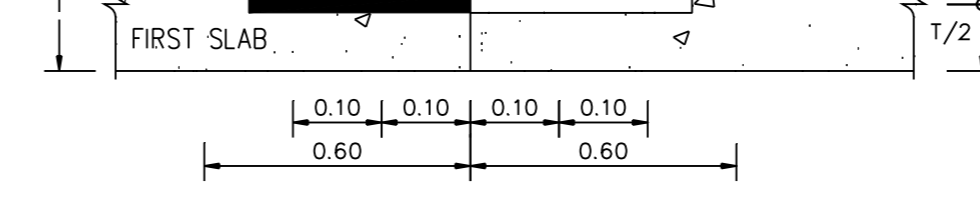
EXPANSION JOINT @ 250 m.

EXPANSION JOINT

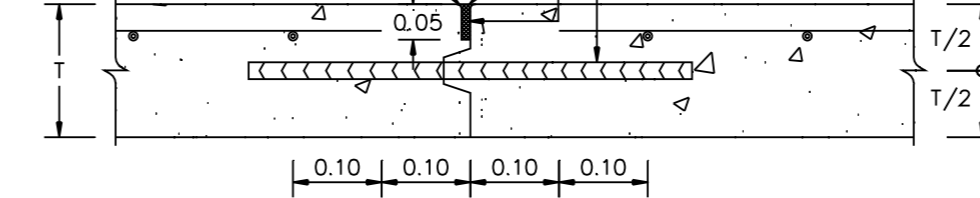


CONSTRUCTION JOINT

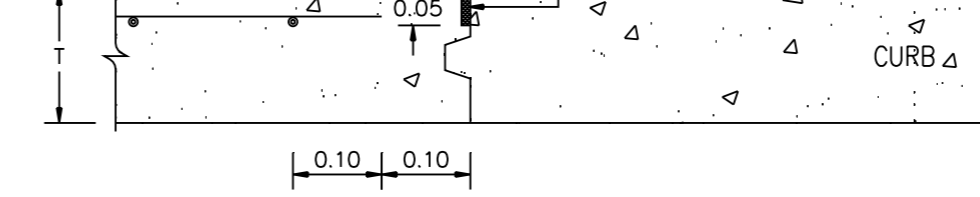
CONSTRUCTION JOINT



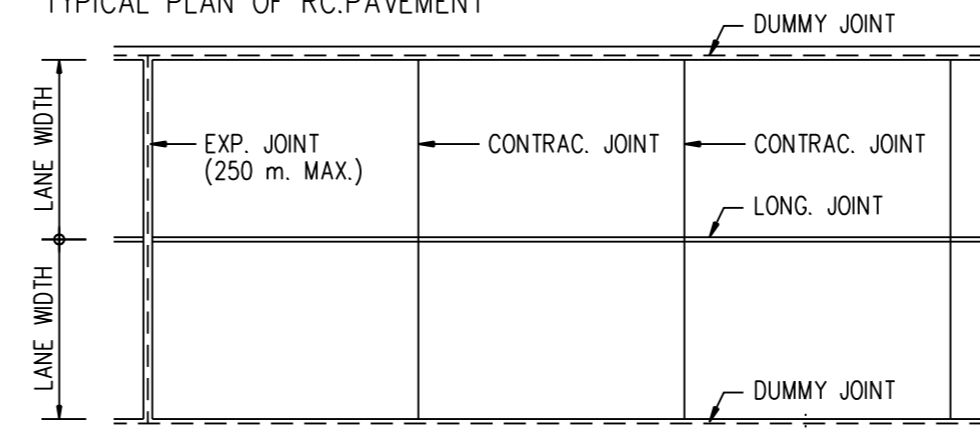
LONGITUDINAL JOINT



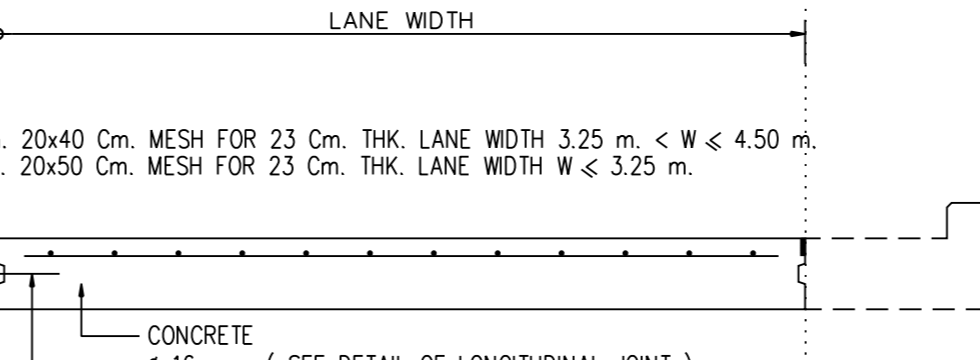
DUMMY JOINT



TYPICAL PLAN OF RC PAVEMENT



REINFORCEMENT DETAIL OF CONCRETE PAVEMENT (CROSS - SECTION)



REVISIONS

REVISIONS

NOTE

OWNER

DESIGNER

ASSISTANT ARCHITECT

APPROVED

REVISIONS	DATE
A	15/02/2000

NOTE

- ALL DIMENSIONS ARE IN METER UNLESS OTHERWISE INDICATED
- NO DIMENSION SHALL BE SCALED
- ALL DRAWINGS ARE THE PROPERTY OF THE AREA CO., LTD. AND CAN NOT BE USED REPRODUCED OR DUPLICATED WITHOUT PERMISSION

OWNER

Tok8kign jvdkgidK9i

DESIGNER

AREA CO., LTD.

111/1 Lodproo23 Ladoo Chatuchak Bangkok 10900
Tel. (662) 5139533-5 Fax. (662) 5139536

ASSISTANT ARCHITECT

APPROVED

FILE NO 9910

DATE 15 / 02 / 2000

SUB TOTAL

DRAWING NO S - 02

GRAND TOTAL

Area-A2(roll) 390x600mm.

