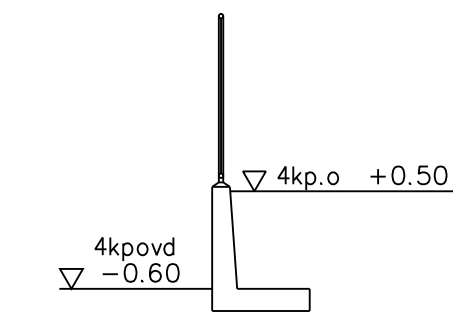
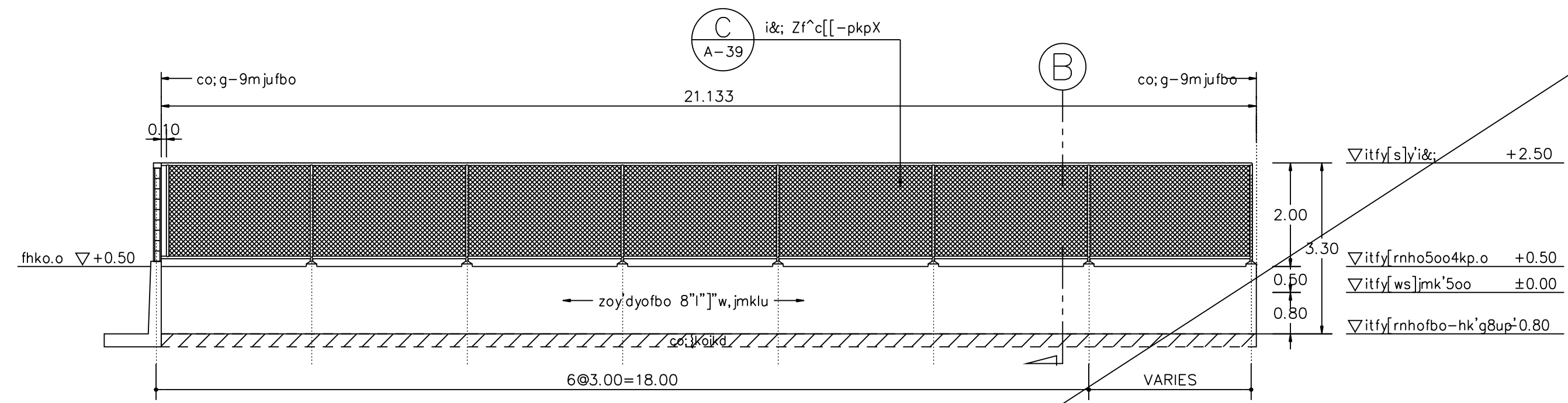


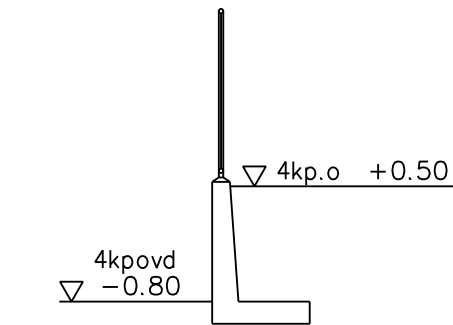
i^xfhkoi&; 3
SCALE 1 : 100



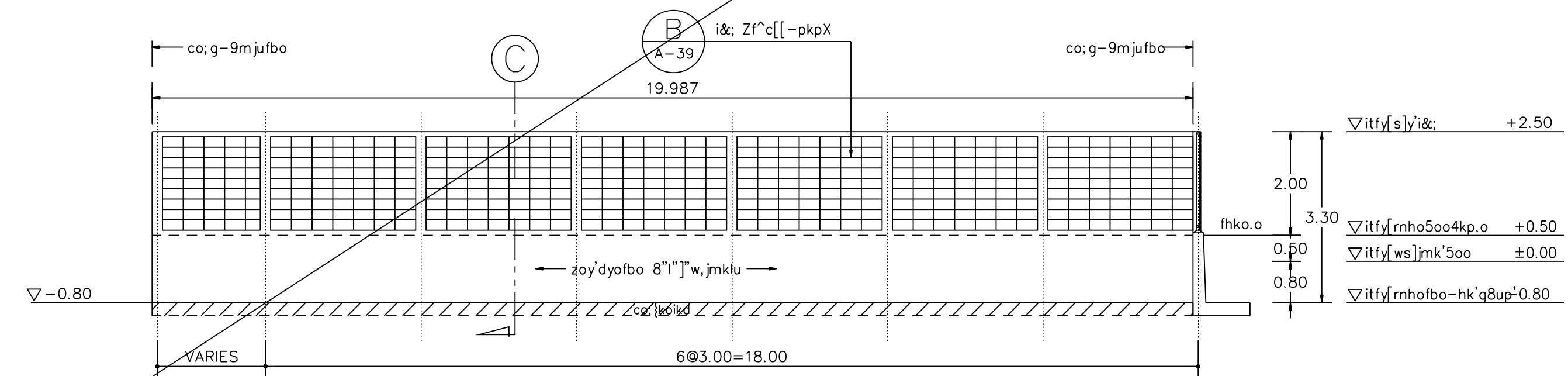
i^x9yf A
SCALE 1 : 100



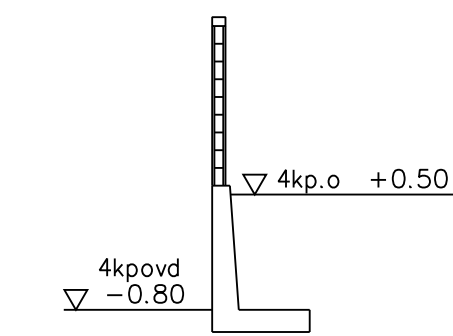
i^xfhkoi&; 4
SCALE 1 : 100



i^x9yf B
SCALE 1 : 100



i^xfhkoi&; 5
SCALE 1 : 100



i^x9yf C
SCALE 1 : 100

REVISIONS		DATE
A	c[[d]vtrnk'	15/02/2000

NOTE
 • ALL DIMENSIONS ARE IN METER UNLESS OTHERWISE INDICATED
 • NO DIMENSION SHALL BE SCALED
 • ALL DRAWINGS ARE THE PROPERTY OF THE AREA CO.,LTD. AND CAN NOT BE USED REPRODUCED OR DUPLICATED WITHOUT PERMISSION

OWNER
 Tok8kigrn jvdkgdK9i
 c]tsldidkigqk9i

DESIGNER
AREA CO.,LTD.
 111/1 Lodproo23 Lodyoo Chutuchok Bangkok 10900
 Tel. (662) 5139533-5 Fax. (662) 5139536

15kxobd

v]dlin 9ik=^	15°00'00"
;yo=yp [6P;ib=pN	15°0°'04"
rie=yp d09b;iklilki	15°7°'04"
;b[]N g0bP;ik;6cb	15°00'00"

ASSISTANT ARCHITECT
 gdup'wdi clo6;LN

;bl; dif8i'lihk'

.kot 0°P^PNLjydbN ip°00'00"

v]dlin 9ik=^ ip°00'00"

foyp i;kFC. ip°00'00"

;bl; dil6-k4b[k]

l64ymi ;ktb=pNd6] lod°00'00"

Lbib=yp 0yo9iud6] x;1"

;bl; diwaahk

[iio' g0bPab0r°]z] :od°00'00"

=yp;yc0N :nj9i' 4od°00'00"

;bl; dig8in jv'd]

lyj ob9bro id°00'00"

.yRokdi

ruil69 i6;idpL;bdpN 15°00'04"

lbtmTb=yp v6joptryd9i' 24kp.oX

DRAWN [tbr9i s.y]luj]bl DATE

CHECKED

APPROVED

F8i'dki
 vk8kileoyd'kolk-k

mu j9&'
 v° iirpk 0° =ypokm

c[[ctf'
 i^xfhkoi&; \$ } % } *

FILE NO 9910	DRAWING NO A - 38
DATE 15/02/2000	
SUB TOTAL	GRAND TOTAL

