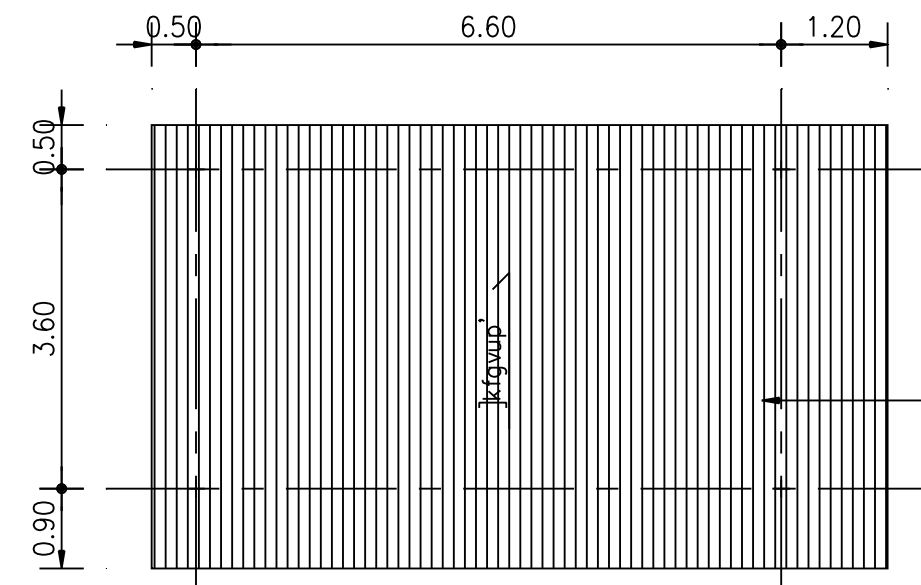
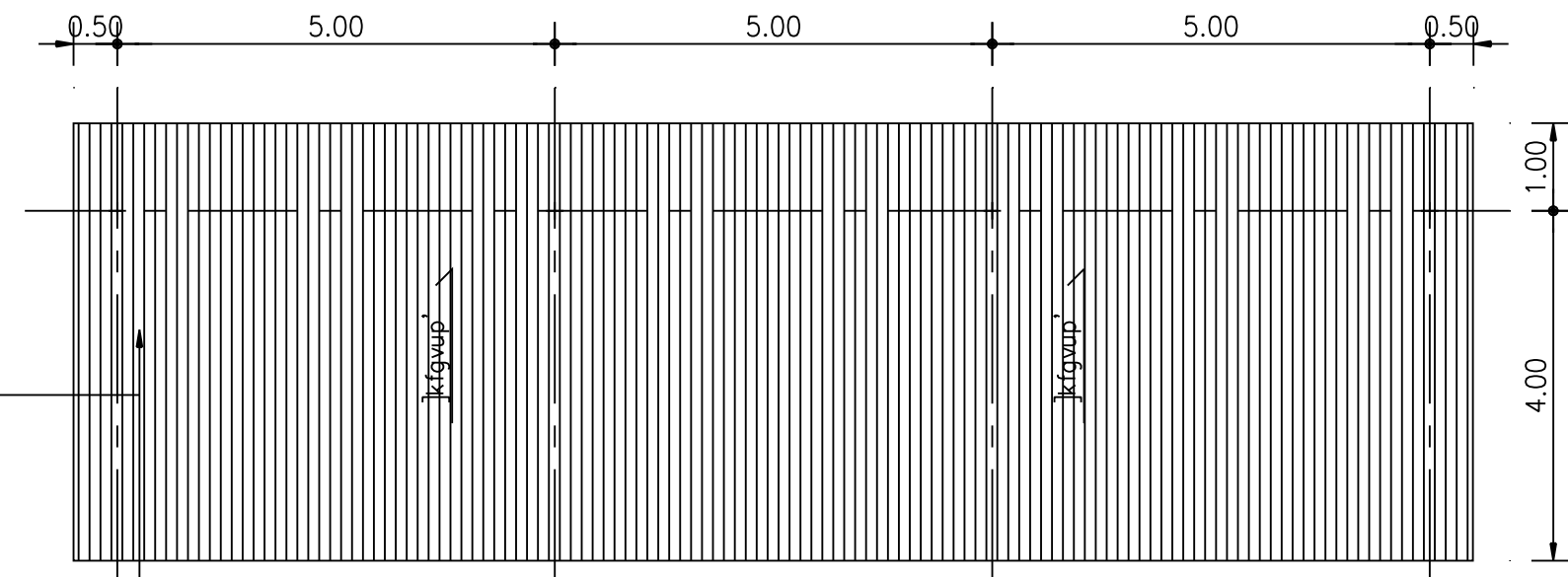


cx]oshv'ohes] ^d8hk
 .k9iki]o 1 : 100

cx]omu]0vfi5Tok8ki
 .k9iki]o 1 : 100

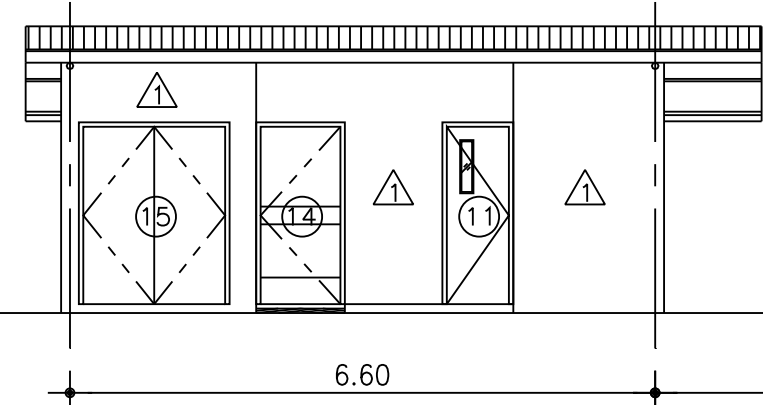


cx]os]y'8k
 .k9iki]o 1 : 100

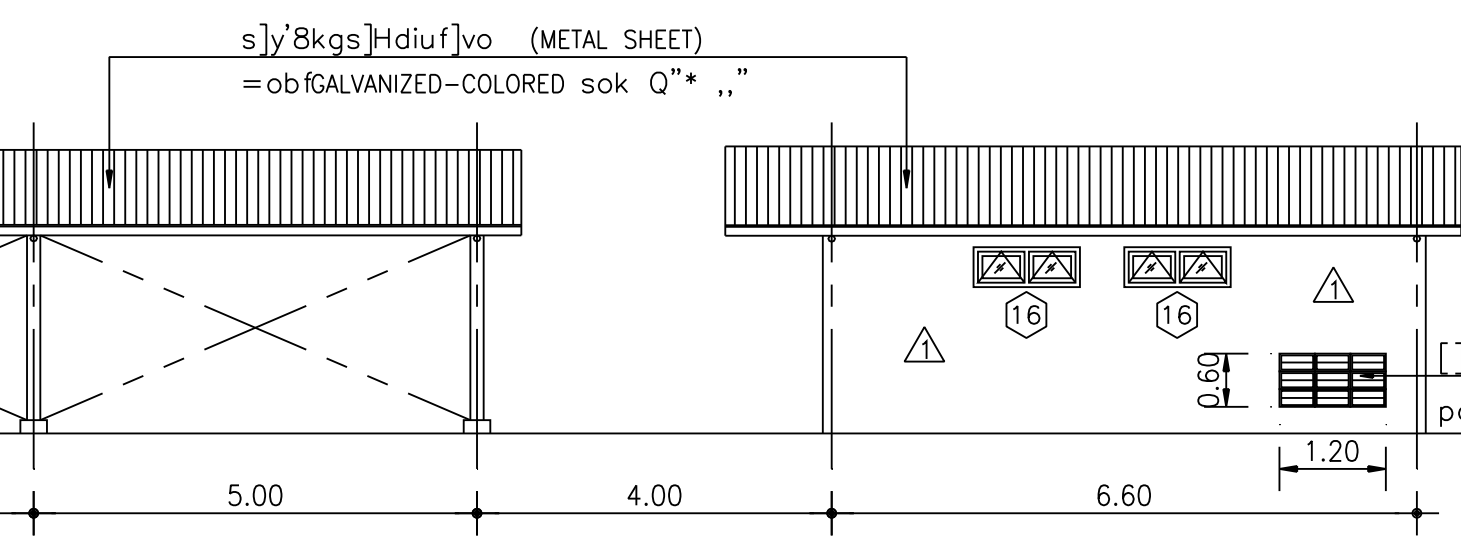


s]y'8kgs]Hdiuf]vo (METAL SHEET)
 =ob fGALVANIZED-COLORED sok Q"* * ,,"

cx]os]y'8k
 .k9iki]o 1 : 100

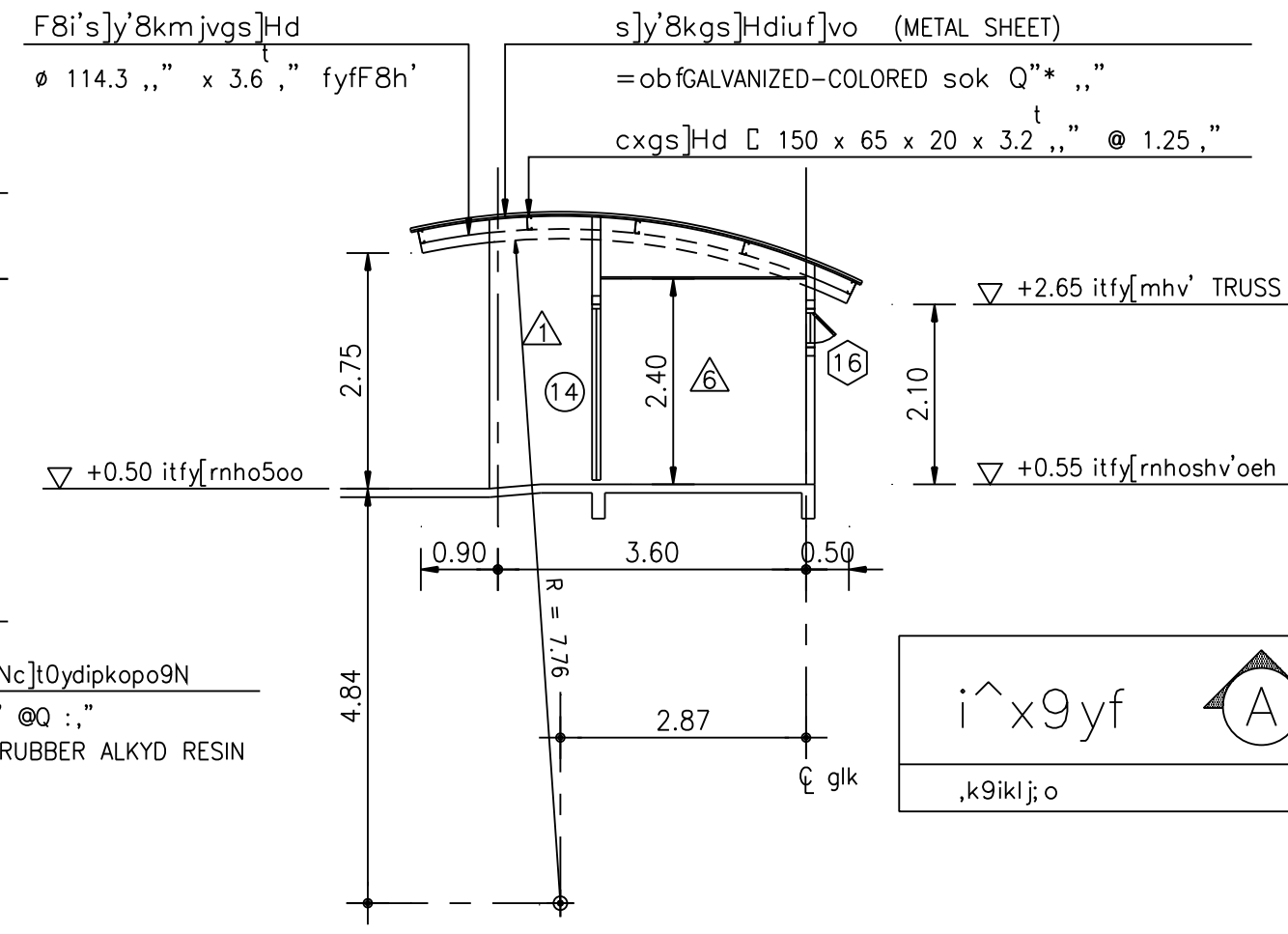


i^xfhko
 .k9iki]o 1 : 100

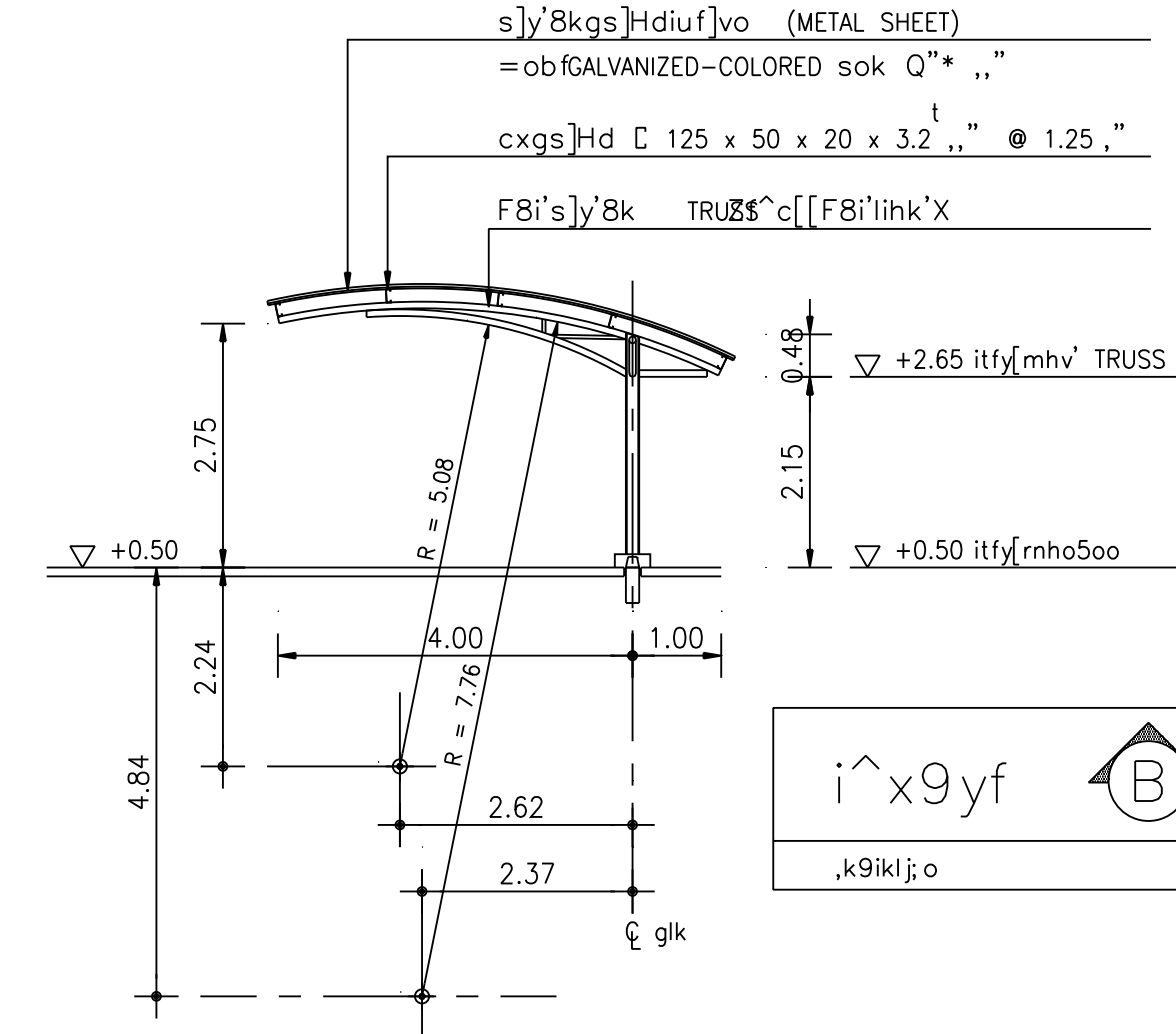


s]y'8kgs]Hdiuf]vo (METAL SHEET)
 =ob fGALVANIZED-COLORED sok Q"* * ,,"

[Uv8it[kpvkdkL=obf]bho8^]
 pdl^ Q"#Q Okdrnhoshv'

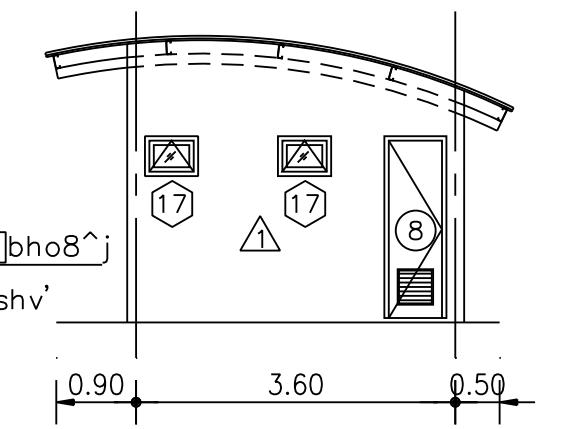


i^x9yf
 .k9iki]o 1 : 100

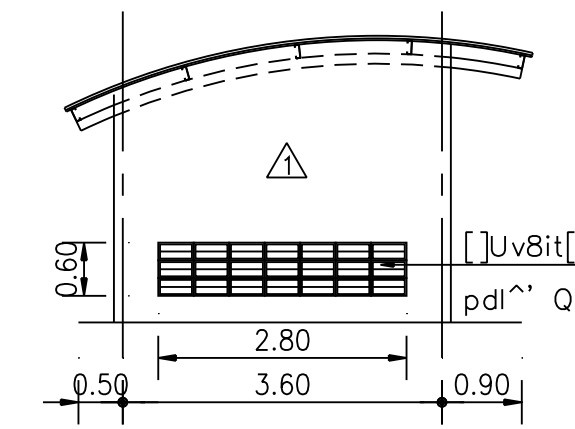


i^x9yf
 .k9iki]o 1 : 100

i^xfhko
 .k9iki]o 1 : 100



i^xfhko
 .k9iki]o 1 : 100



i^xfhko
 .k9iki]o 1 : 100

REVISIONS	DATE
A c[[d]vink'	15/02/2000

NOTE
 • ALL DIMENSIONS ARE IN METER UNLESS OTHERWISE INDICATED
 • NO DIMENSION SHALL BE SCALED
 • ALL DRAWINGS ARE THE PROPERTY OF THE AREA CO.,LTD. AND CAN NOT BE USED REPRODUCED OR DUPLICATED WITHOUT PERMISSION

OWNER
 Tok8kigrn jvdkgdK9i
 c]tsididkigqk9i

DESIGNER
AREA
 AREA CO.,LTD.

111/1 Lodgpro23 Lodyo Chuloch Bangkok 10900
 Tel. (662) 5139533-5 Fax. (662) 5139536

15kxobd

v]dlin 9ik=^ 15"000#
 :yo=yp [6P;ib=pN 15"0"4
 rie=yp ob9;ik;ik 15"7"4
 :b[]n g0bP;ik;6ob 15"000#

ASSISTANT ARCHITECT
 gdup'wedi clo6;LN
 ;bl; dif8i'link'
 .kot 0"P^PKNlydBN ip"00#
 v]dlin 9ik=^ ip"000#
 foyp i;k'FC, ip"0"0-
 ;bl; dil6-k4b[k]
 i64ymi ;ktb=pN06] lod"0]_
 Lbib=yp 0yo9iud6] x;]"
 ;bl; diwaahk
 [i0" g0bPob0"]z] :od"0]#
 =yp; ycoN :nj9i' 4od"0"0%
 ;bl; dig8in'jv'd]
 ly] ob9bro 10"0%_ \$
 ;yRokdi
 ruil69 i6;idpt;bdpN 15"0"04
 lbtmTb=yp v6joptry09] 24kp.oX
 DRAWN DATE
 [tby9i s;ylug]L
 CHECKED
 APPROVED
 F8i'dki
 vk8kileoyd'kolk-k
 mu]9&'
 v" liirpk 0" =ypokm
 c[[clf'
 vk8ki0vfi5 c]t shv'ohes
 lkTkilt

FILE NO 9910	DRAWING NO A - 10
DATE 15 / 02 / 2000	
SUB TOTAL	GRAND TOTAL

