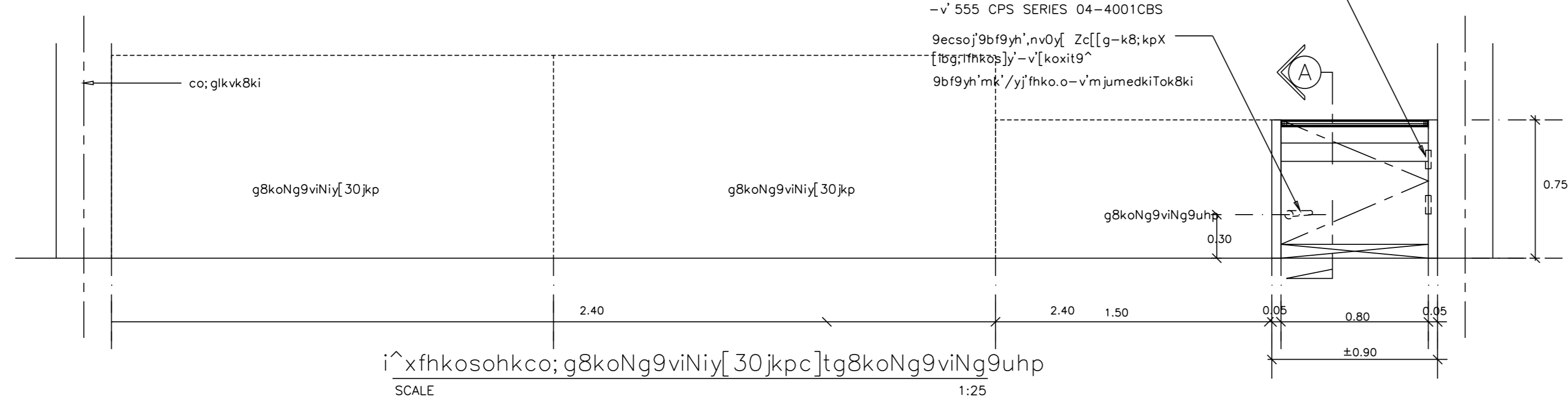
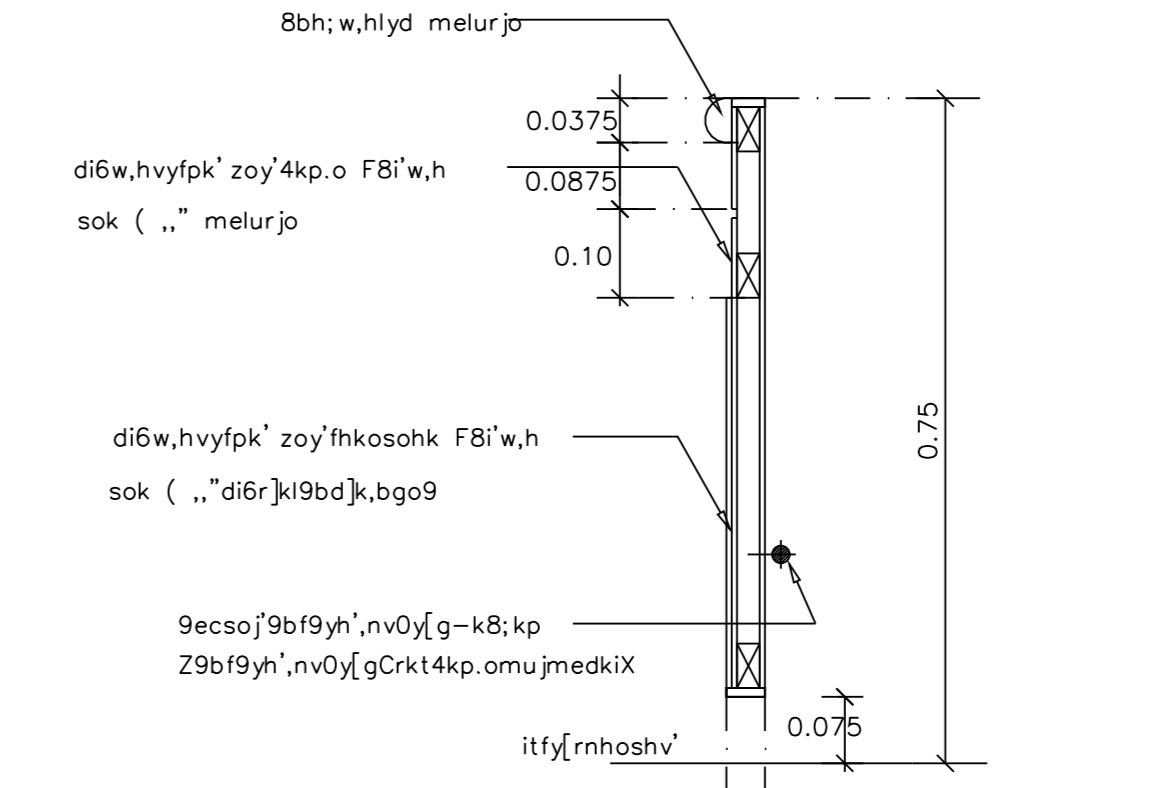


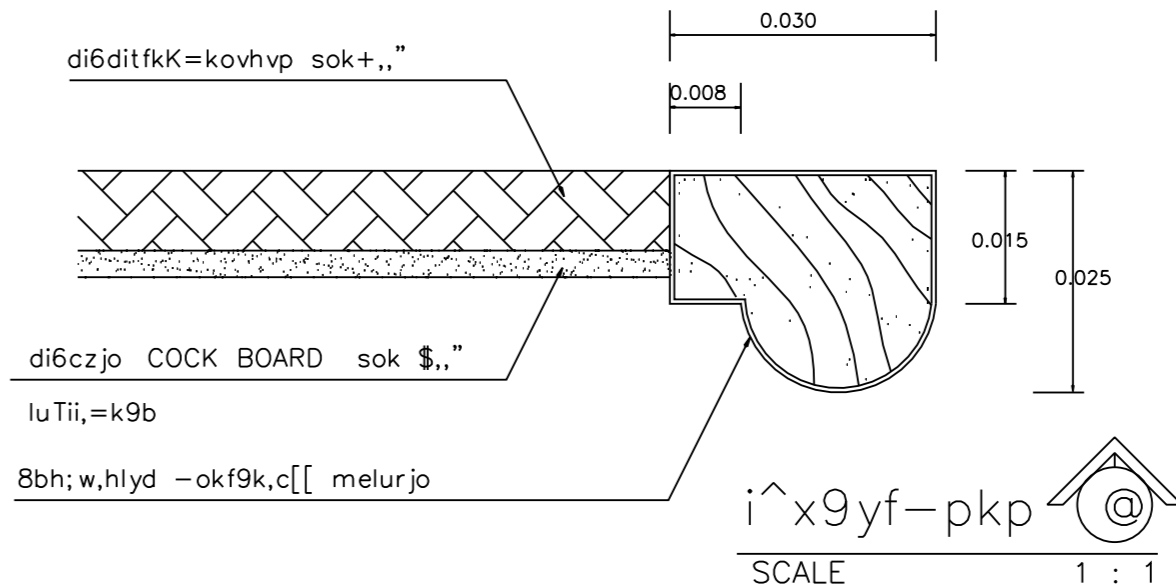
cx]odki0yf; k^g8koNg9viNiy[30]kpc]tg8koNg9viNg9uhp  
SCALE 1:25



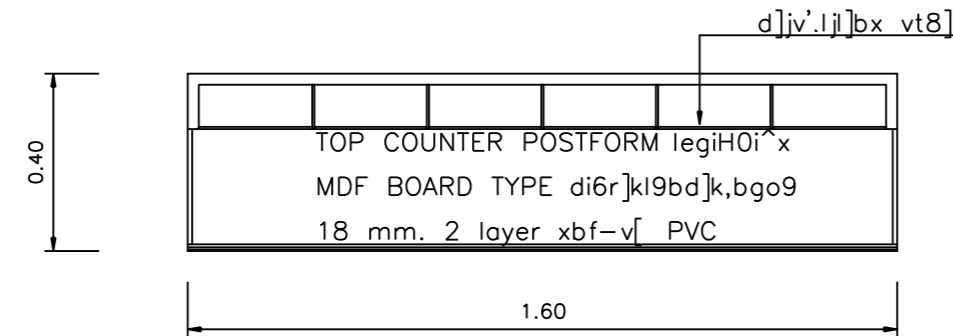
i^xfhkosoHkco; g8koNg9viNiy[30]kpc]tg8koNg9viNg9uhp  
SCALE 1:25



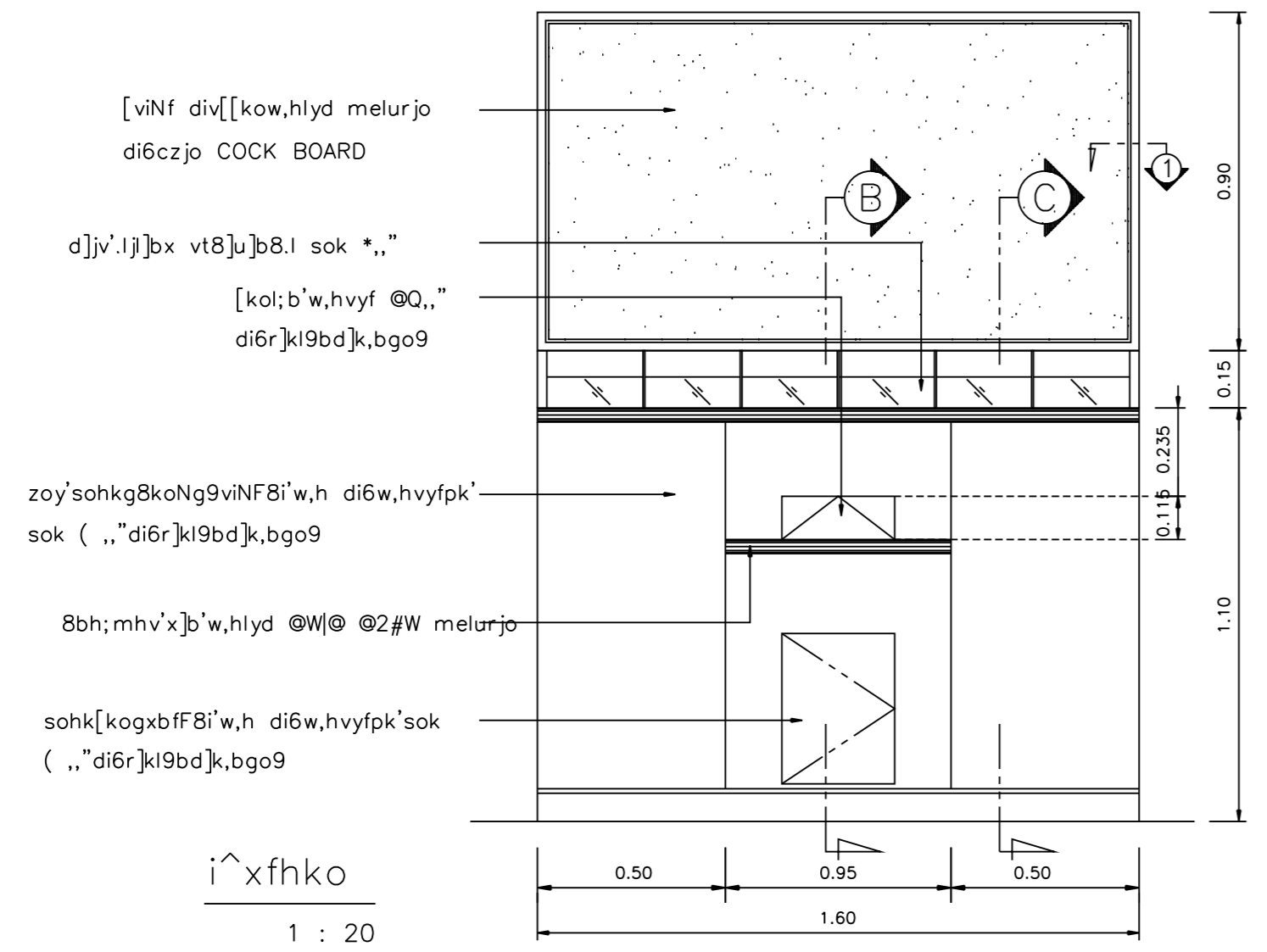
i^x9yf  
SCALE 1:10



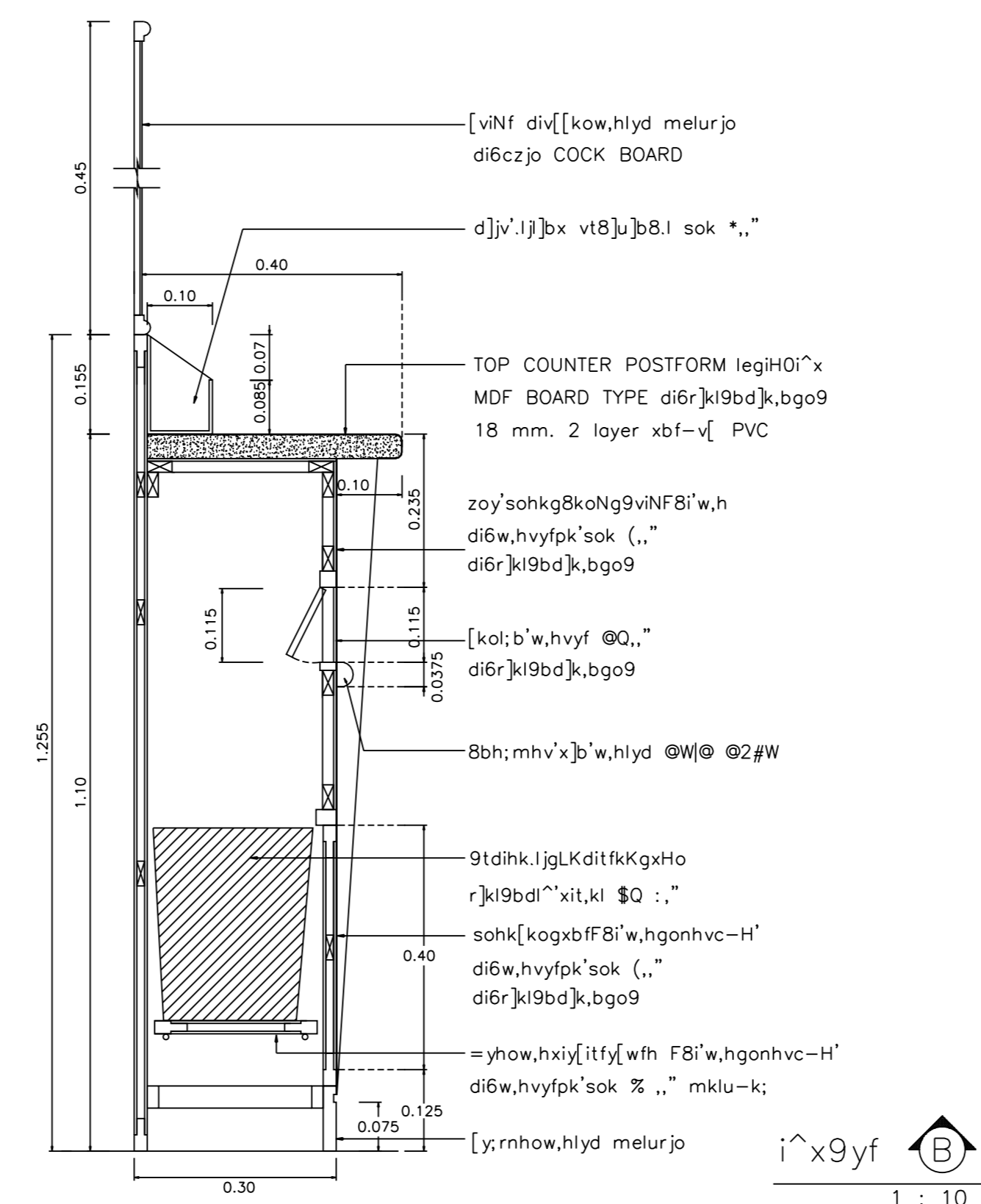
i^x9yf-pkp  
SCALE 1:1



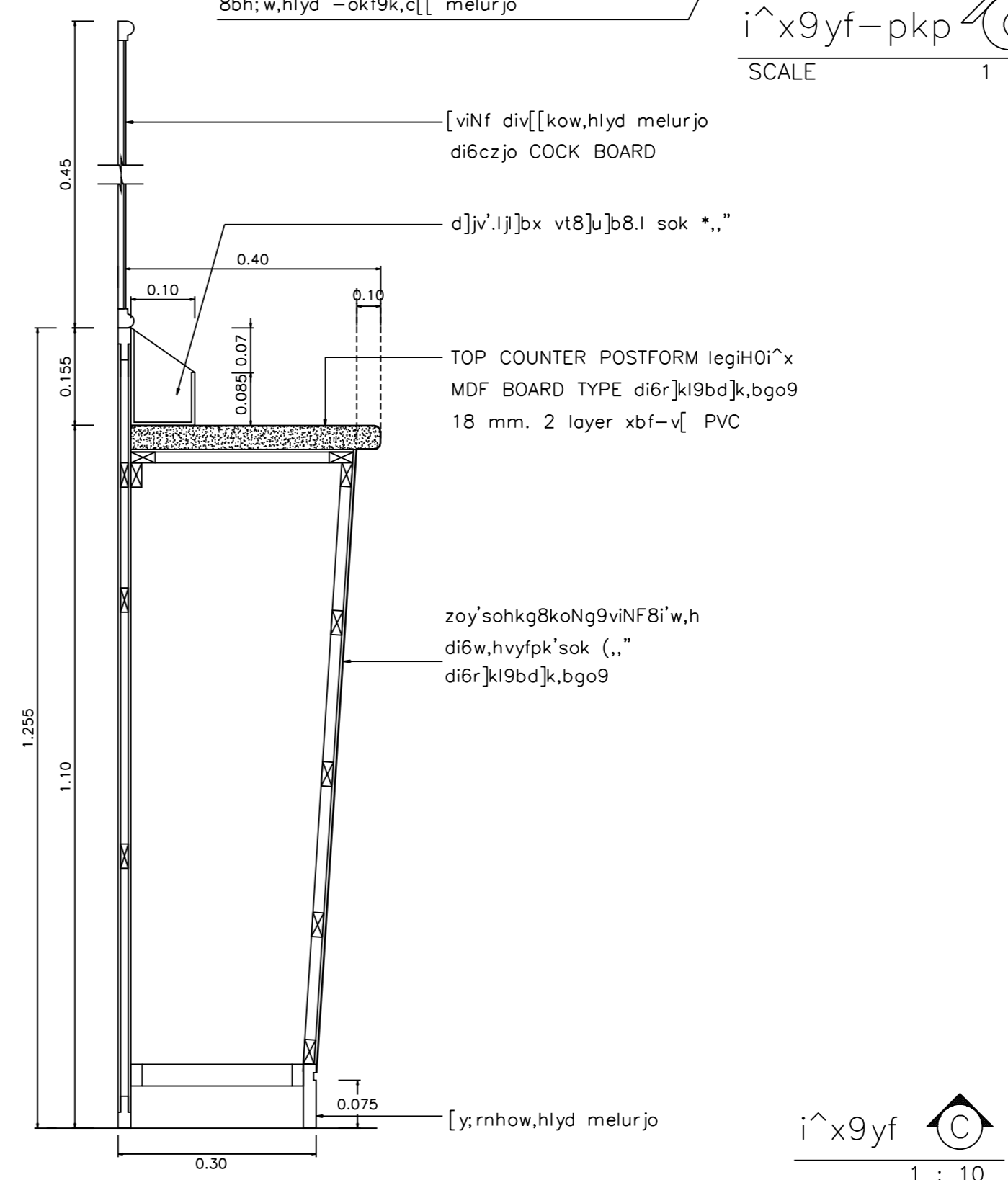
cx]og8koNg9viNg-upo.[ /kd35vo  
SCALE 1:20



i^xfhko  
SCALE 1:20



i^x9yf  
SCALE 1:10



i^x9yf  
SCALE 1:10

| REVISIONS  | DATE        |
|--|-------------|
|  |             |
|  |             |
|  |             |
|  |             |
| NOTE   |             |
| • ALL DIMENSIONS ARE IN METER UNLESS OTHERWISE INDICATED   |             |
| • NO DIMENSION SHALL BE SCALED   |             |
| • ALL DRAWINGS ARE THE PROPERTY OF THE AREA CO.,LTD. AND CAN NOT BE USED REPRODUCED OR DUPLICATED WITHOUT PERMISSION |             |
| OWNER  |             |
| Tok8kigrn jvdkgdK9i  |             |
| c]t]sdi]dkigk]k9i  |             |
| DESIGNER   |             |
| AREA CO.,LTD.  |             |
| 111/1 Lodpro23 Lodoo Chaluchok Bangkok 10900   |             |
| Tel. (662) 5139533-5 Fax. (662) 5139536  |             |
| I5kxobd  |             |
| v]diin 9ik=^   | 15^000#     |
| yoyyp [6P;ib=pN  | 15^0^%4     |
| okp:b[ ]^N g0Bp;k;6cb 15^000#  |             |
| okpLuy;coN ris;6;iii 15^%*%4^  |             |
| okp;bg=KIN g0bPtu[ ]^N 115^0/]   |             |
| ;bl; diF8i^lihk^   |             |
| okp]y;yoTN -6mikoorn lp(]#)0   |             |
| okpobookm mv^k   | lp^%+\$\$   |
| ;bl; di6-k4b[k]  |             |
| okp]pk_06jrb0kin 4d^_2Q  |             |
| okp]vj;FioN v699,lvkidi,   |             |
| okp=bf=yyp =y;k]pNxiu=k  |             |
| ;bl; diwaahk   |             |
| okp=y;coN :ny9i^ 4od^*%0%  |             |
| okp;boyp mv^riy90N 4od^0/]   |             |
| ;bl; dig8in]v^d]   |             |
| okp]pk_06jrb0kin 4d^_2Q  |             |
| y]Rokdi  |             |
| okp]bmTb=yyp v6op]ryoTN 15^["24kp.ok   |             |
| ok^w;yoN d6p]tir9 LK["   |             |
| okp]diti =;^;KN LK["   |             |
| DRAWN  | DATE        |
| CHECKED  |             |
| APPROVED   |             |
| F8i^dki  |             |
| xiy]xi6^vk8kileoyd^kolk-k  |             |
| Zleoyd^ko \$ =yhoX   |             |
| muj9&^   |             |
| c[[clf^  |             |
| cx]o3i^xfhkodki0yf; k^   |             |
| g8koNg9viNiy[30]kpc c]t  |             |
| c[ ]-pkpg8koNg9viN F2  |             |
| FILE NO  | DRAWING NO  |
| 0203   | A - 41      |
| DATE   |             |
| 21 / 02 / 2003   |             |
| SUB TOTAL  | GRAND TOTAL |
| 46   |             |

