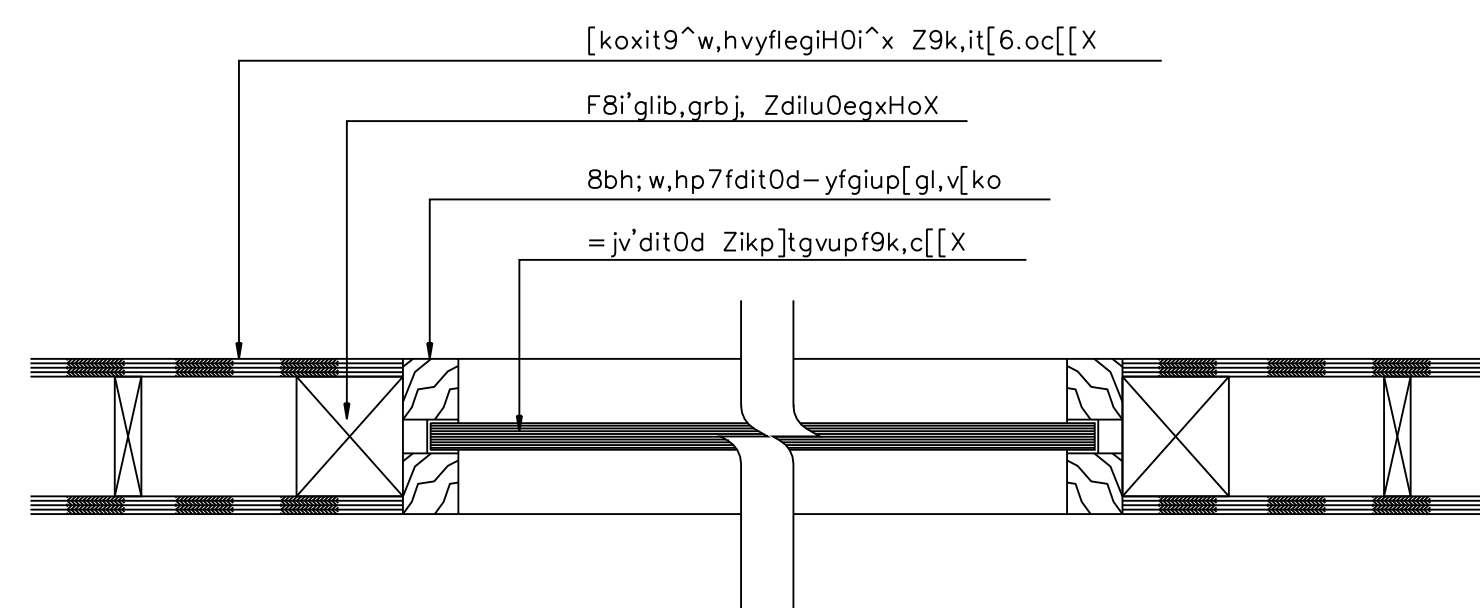
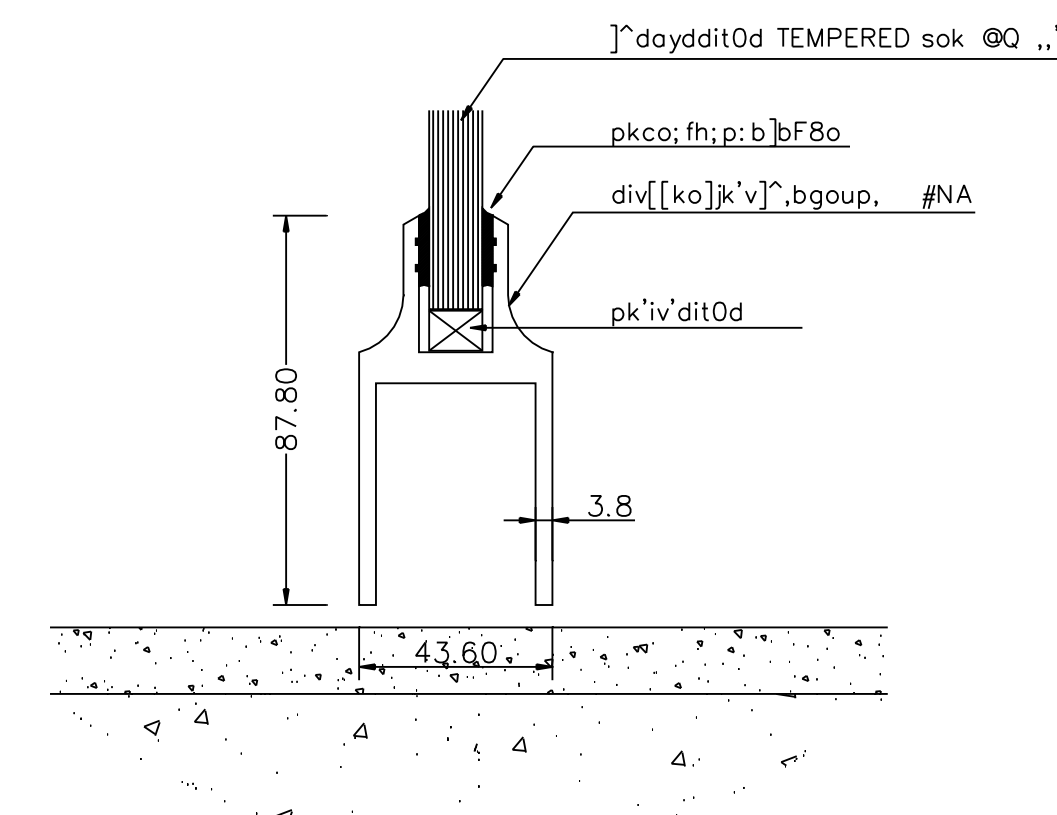


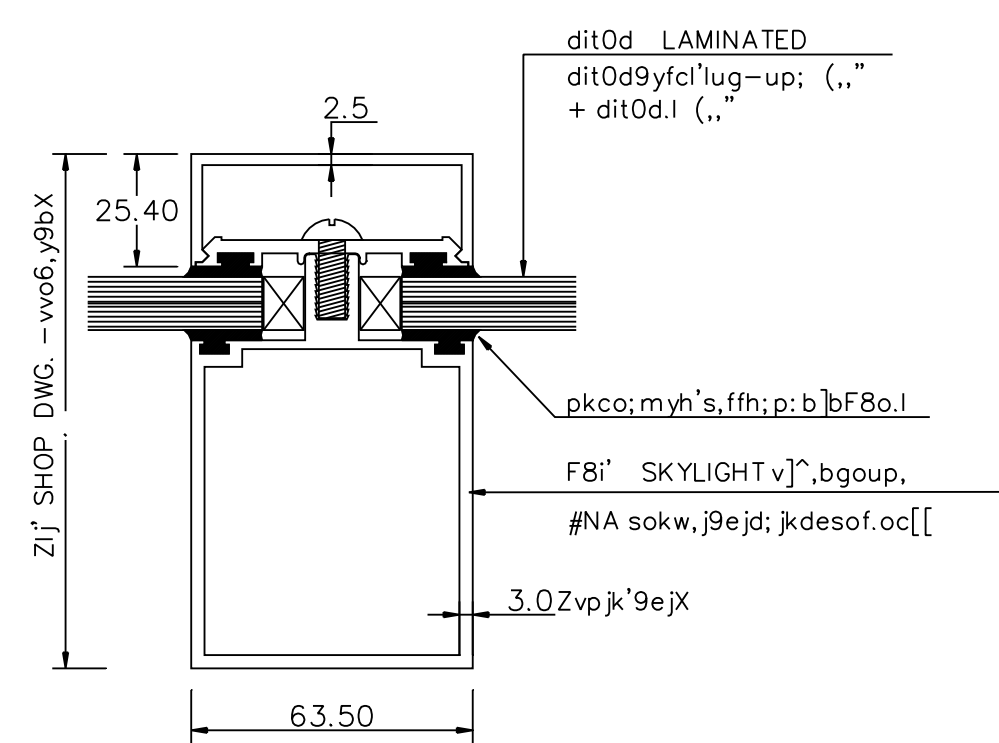
cx]o-pkp; 'd[w,h
.k9iki;o 1 : 2



cx]oclf'dki.l]=jv'ditOd
.k9iki;o 1 : 2



i^x9yxit9^ditOd (TEMPERED GLASS)
.k9iki;o 1 : 2



i^x9yf8i' SKYLIGHT
.k9iki;o 1 : 2

s,kpqs96.
F8i' SKYLIGHT.shij' SHOP DRAWING c]f'ikp]gvupf
dki9b9yh' v6xdilNxitdv[ikpdkibeo;icf'dkiiy[oehsoid
c]c]' -vvo6,y9b0kdz^hiy[zbfi=v[-v' Tal'c]tsinvz^hvdc[[
djvodki9b9yh'Oib'

s,kpqs96_Zc[[-pkp,k9iki;koFpi;.X

1. itptc[[-pkp it[6gxHo,b]]bg,9i
2. .shij' SHOP DRAWING c]t SECTION9y;vpjk' glov-vvo6,y9bdjvo.=h'ko0ib'
3. SECTION -v'v]^,bgoup.,=hsok 9k,i[6.oikpdkixitdv[c][15kxy9pdii, Zs.;fmju * sy,-hv **X
4. v]^,bgoup,m&'s,f.=hlNA, ditOd9k,it[6.oc[[
5. oUv9 c]t ;yif6p7fv]^,bgoup, .=h=obfx]vflob, Z4kpovd.=h=obf STAINLESS 4kp.o.=h=obf HOT DIPPED GALVANIED)

REVISIONS		DATE
A	c][d]virk'	15/02/2000
NOTE		
<ul style="list-style-type: none"> • ALL DIMENSIONS ARE IN METER UNLESS OTHERWISE INDICATED • NO DIMENSION SHALL BE SCALED • ALL DRAWINGS ARE THE PROPERTY OF THE AREA CO.,LTD. AND CAN NOT BE USED REPRODUCED OR DUPLICATED WITHOUT PERMISSION 		
OWNER		
Tok8kigrn jvdki9k9i		
c]tsdidkigqk9i		
DESIGNER		
111/1 Lodproo23 Ladoo Chuloch Bangkok 10900 Tel. (662) 5139533-5 Fax. (662) 5139536		
15kxobd		
v]din 9ik=^	15°00#	
:yo=yp [6P;ib=pN	15°0°#4	
ri=yp ob9b;ixiliki	15°#*#4	
:b[]N g0bP;ik;6cb	15°00#	
ASSISTANT ARCHITECT		
gdup'adi clo6;LN		
;bl; dif8i'lihk'		
.kot 0i^Pr^XNLydbN	ip°#0#	
v]din 9ik=^	ip°#0#	
foyp i;k'FC,	ip°#*#-	
;bl; dil6-k4b[k]		
l64ymi ;ktb=pNde]	lod°#%_	
Lbib=yp 0yo9iud6]	x;1"	
;bl; diwaahk		
[iio' g0bPob0r'z]	:od°#(
=yp;yc0N :nj9i'	4od°#%0%	
;bl; dig8in jv'd]		
ly' ob9bro	ic°#%_#	
y]Rokdi		
ruil69 l6;idpt;bdpN	15°#*#04	
lbtb=yp v6joptryd9i'	24kp.oX	
DRAWN	DATE	
[tby9i s_y]lug]l		
CHECKED		
APPROVED		
F8i'dki		
vk8kileoyd'kolk-k		
mu j9&'		
v' liirpk 0" =ypokm		
c][c]f'		
c[[-pkp,k9iki;ko xi9^ 3 sohki9jk'		
FILE NO	DRAWING NO	
9910	A - 16	
DATE	15 / 02 / 2000	
SUB TOTAL	GRAND TOTAL	

Area-A2(roll) 390x600mm.

