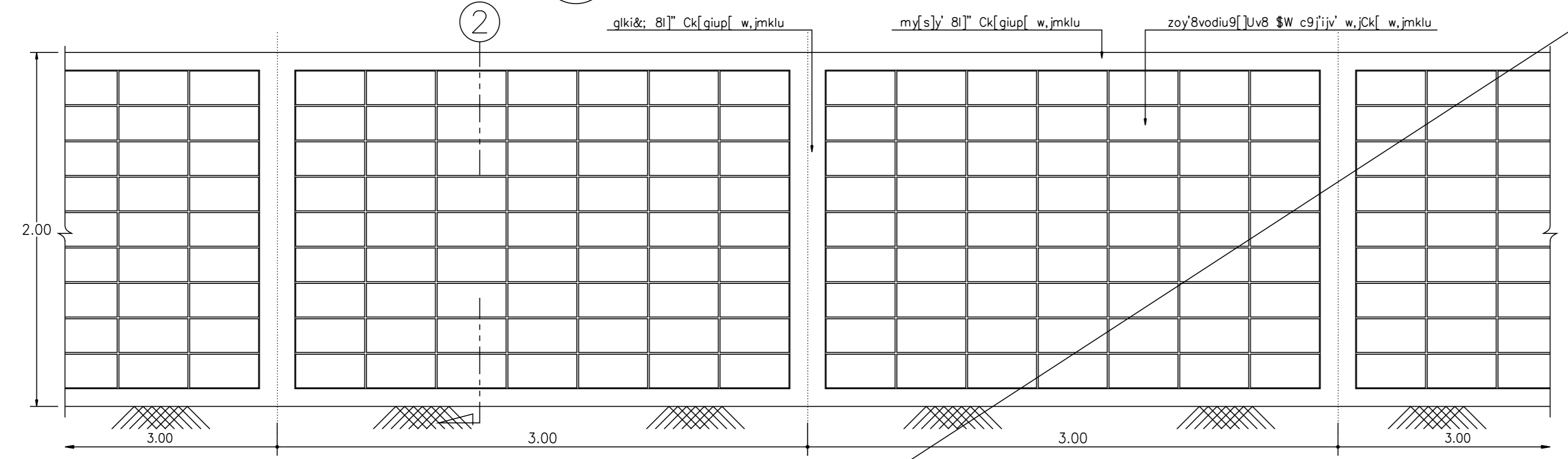
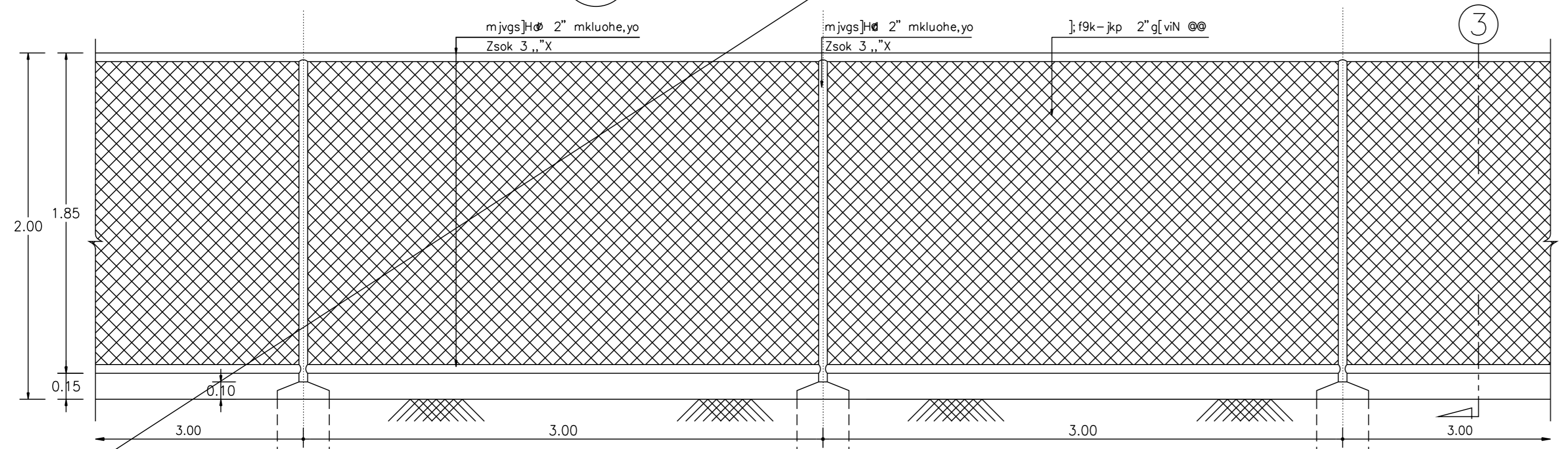


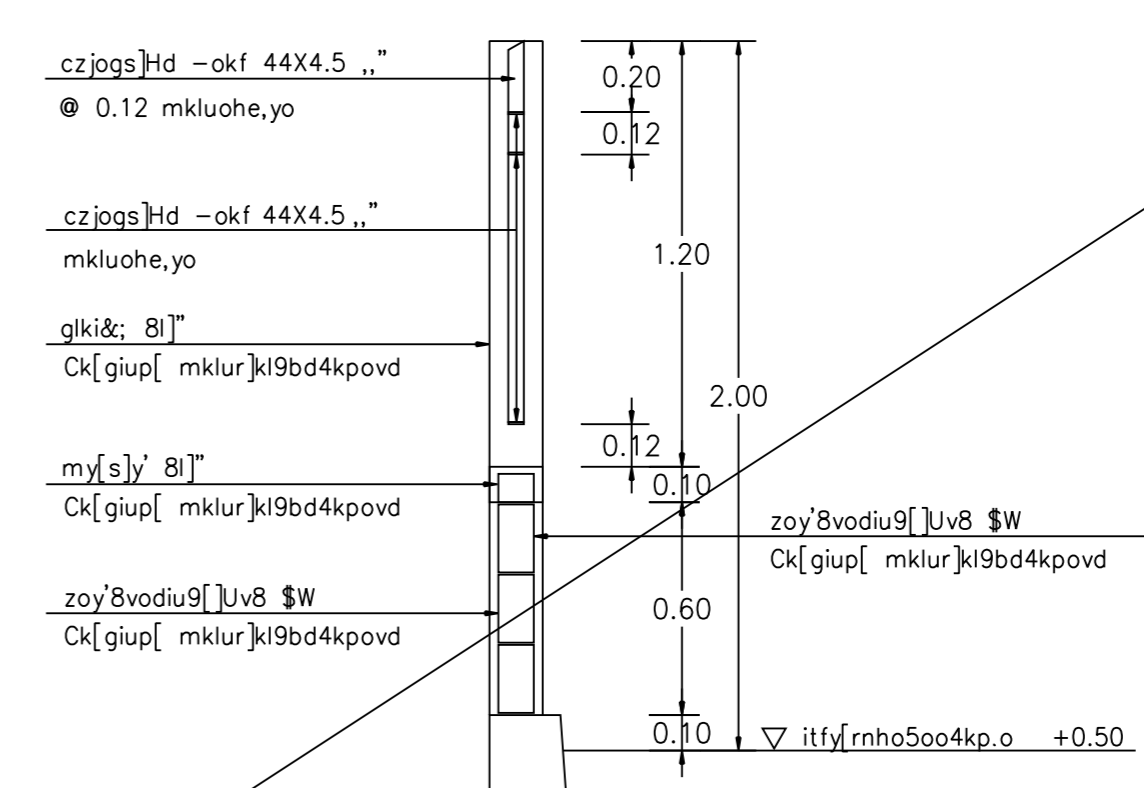
c[[ -pkp iyh; A A-39  
 .k9iki]o 1 : 25 s,kpgs96 : zoy'lj,omklur]kI9bd =obf4kpovd .=h9k,ikpdkixitd[c[[ (A-02)



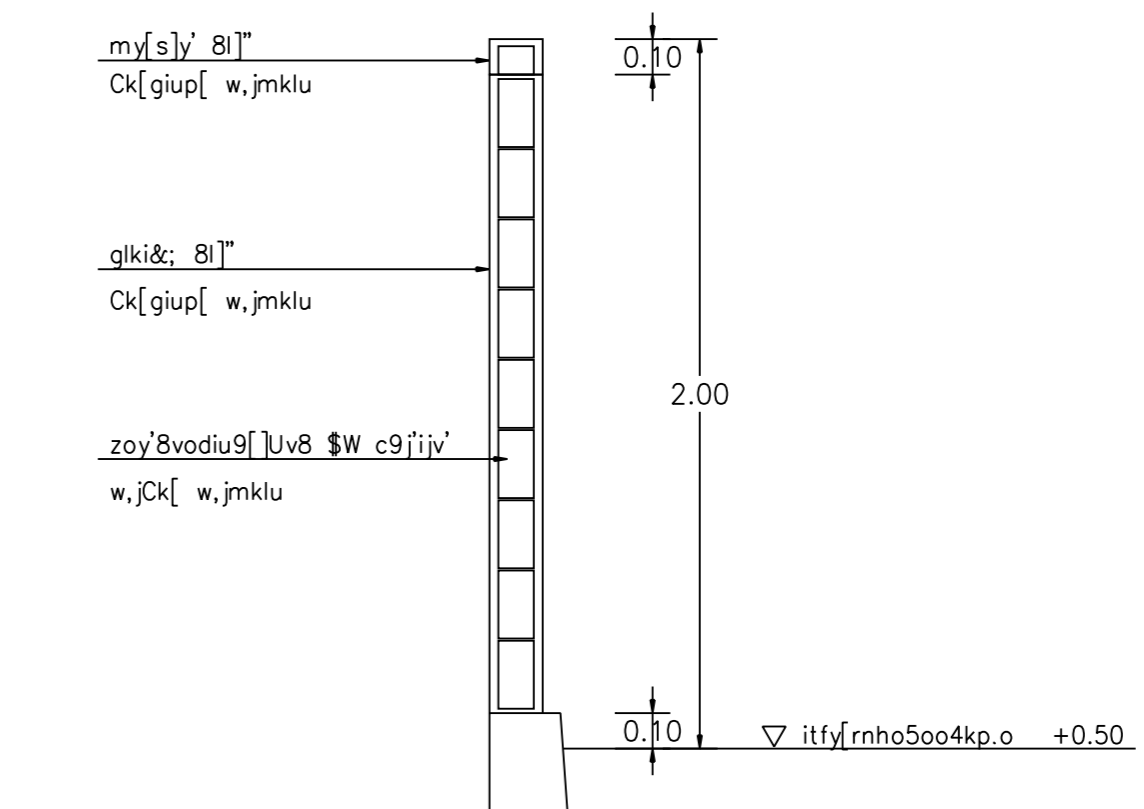
c[[ -pkp iyh; B A-39  
 .k9iki]o 1 : 25



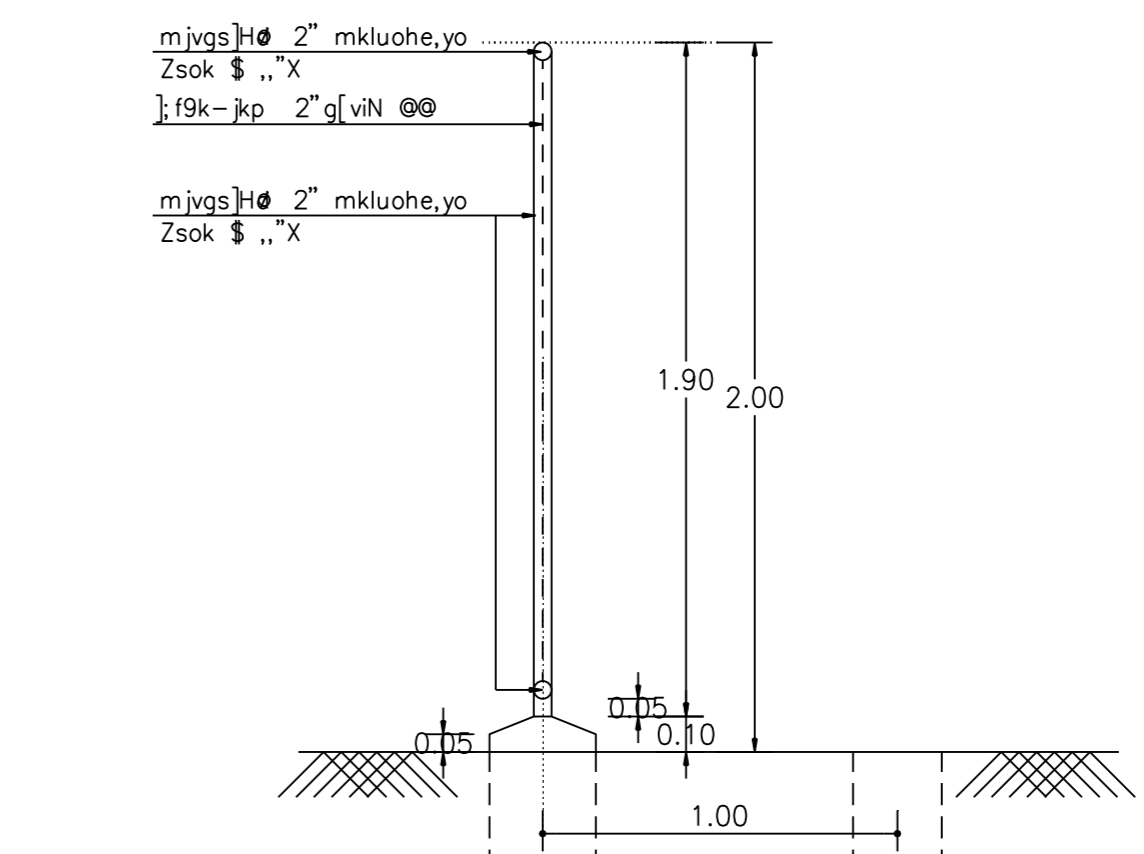
c[[ -pkp iyh; C A-39  
 .k9iki]o 1 : 25 s,kpgs96 : lj,omkluohe,yo .=h9k,ikpdkixitd[c[[ (A-02)  
 dilugxHo GALVANIZED sh.=hiv'rnho=obfZINC CHROMATE



i^x9yf @  
 .k9iki]o 1 : 25



i^x9yf #  
 .k9iki]o 1 : 25



i^x9yf \$  
 .k9iki]o 1 : 25

REVISIONS		DATE
A	c[[d]virk'	15/02/2000

NOTE  
 • ALL DIMENSIONS ARE IN METER UNLESS OTHERWISE INDICATED  
 • NO DIMENSION SHALL BE SCALED  
 • ALL DRAWINGS ARE THE PROPERTY OF THE AREA CO.,LTD. AND CAN NOT BE USED REPRODUCED OR DUPLICATED WITHOUT PERMISSION

OWNER  
 Tok8kign jvdkgidK9i  
 c]tsdidkigqK9i

DESIGNER  
**AREA**  
 AREA CO.,LTD.  
 111/1 Lodproo23 Lodoo Chaluchok Bangkok 10900  
 Tel. (662) 5139533-5 Fax. (662) 5139536

15kxobd

v]din 9ik=^ 15°00'00"  
 ;yo=yp [6P;ib=pN 15°0°'04"  
 ri=yp ob9e;iklilki 15°7°'04"  
 ;b[ ]m gObP;ik;6ob 15°00'00"

ASSISTANT ARCHITECT  
 gdiup'widi clo6;LN  
 ;bl; dif8i'lihk'  
 .kot 0°P'PKNlydbN ip°00'00"  
 v]din 9ik=^ ip°00'00"  
 foyp i; k'FC. ip°0°'00"  
 ;bl; dil6-k4b[k]  
 i64ymi ;kb=pNd6] lod°0°'00"  
 Lbib=yp Oyo9iud6] x;"  
 ;bl; diwaahk  
 [iio' gObPob0r^]z] :od°0°'00"  
 =yp;yoN :nj9i' 4od°0°'00"

;bl; dig8in jv'd]  
 ly] ob9bro 10°00'00"

y]Rokdi  
 ruil69 i6;idpt;bdpN 15°0°'04"  
 lbtmTb=yp v6joptryd9N [24kp.oX

DRAWN [tby9i s,y]ug]bl DATE  
 CHECKED

APPROVED

F8i'dki  
 vk8kileoyd'kolk-k

muj9&'  
 v' sov'sko 0° v6iitkou

c[[ctf'  
 c[[ -pkpki; A , B , C

FILE NO	DRAWING NO
9909	A - 39
DATE	
15/02/2000	
SUB TOTAL	GRAND TOTAL

