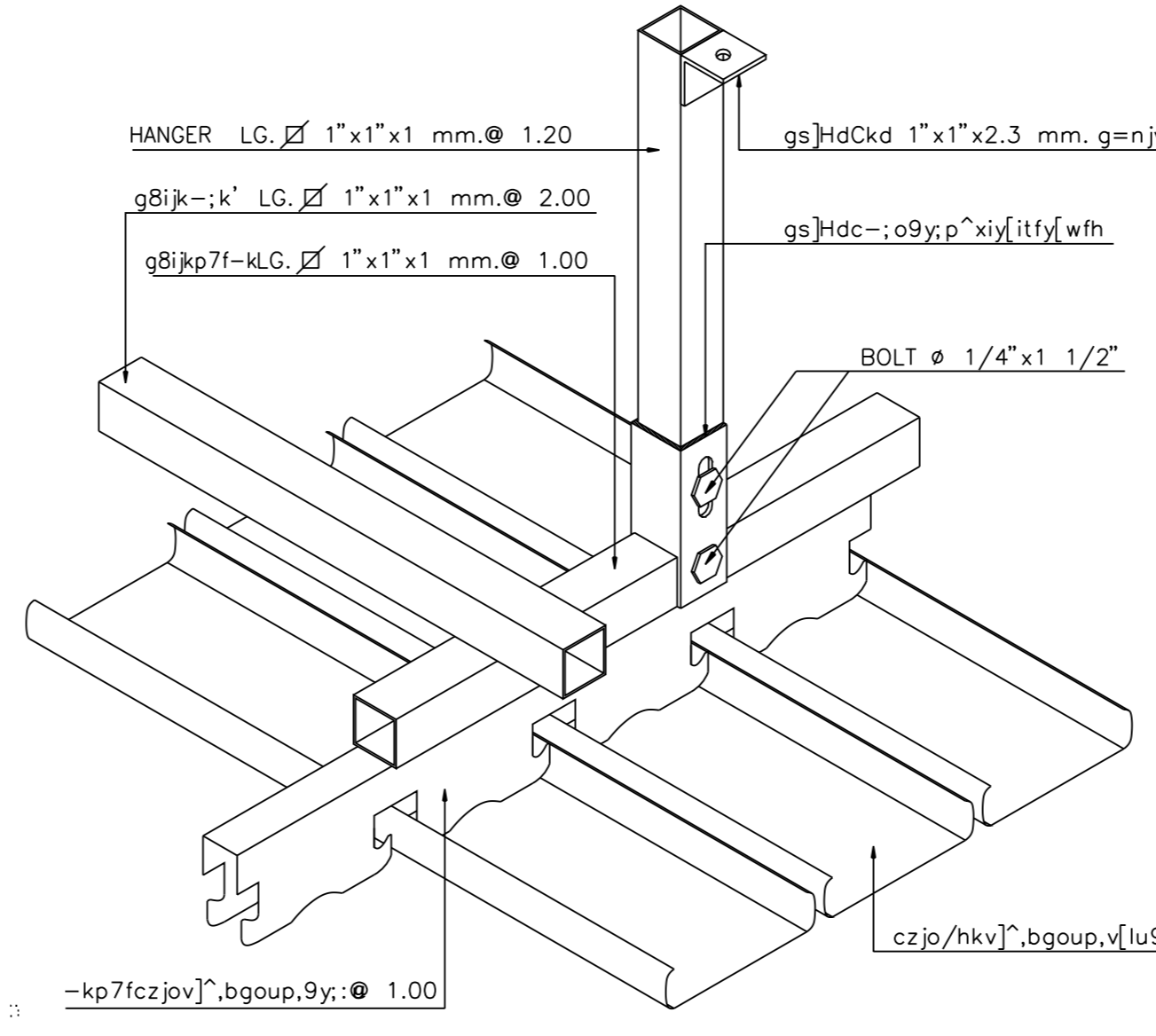
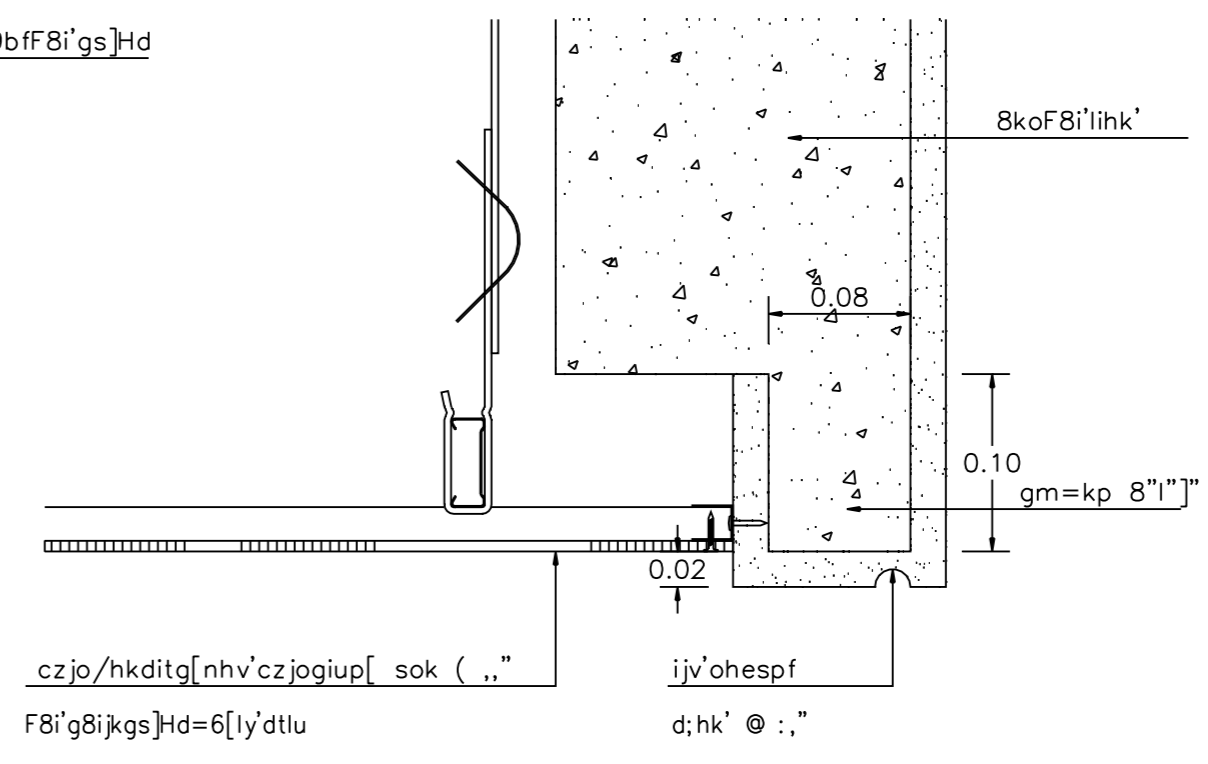


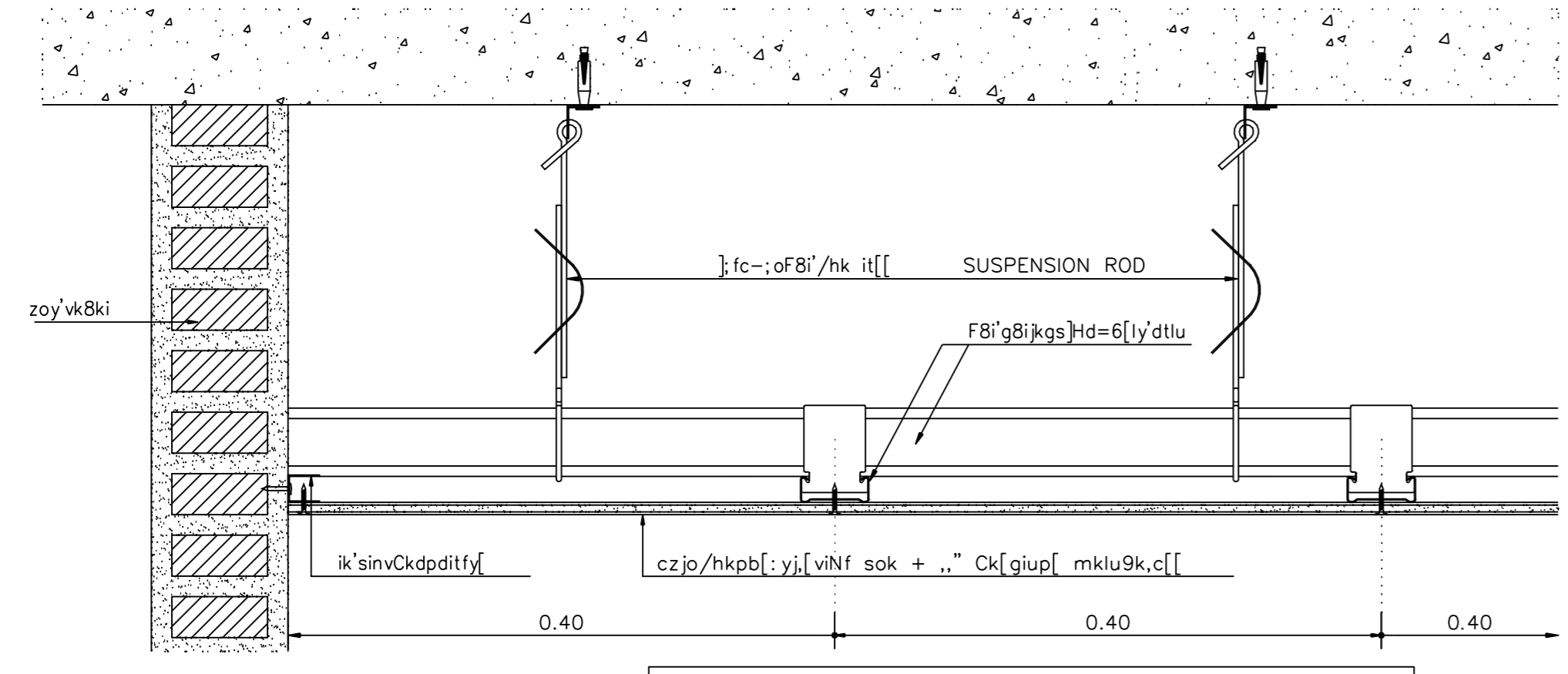
c[[-pkp/hkgrfkov]^,bgoup,g8]nv[lu
.k9ikl;o 1 : 5



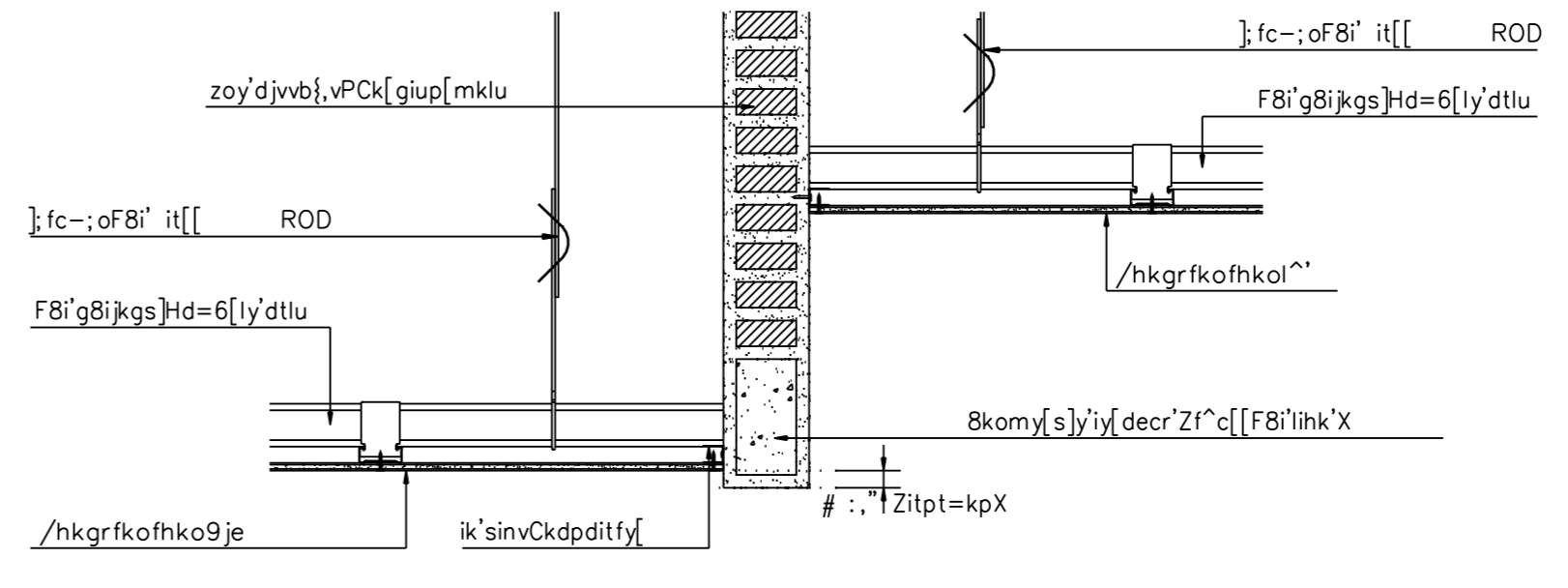
ISOMETRIC /hk v]^,bgoup,g8]nv[lu
.k9ikl;o 1 : 5



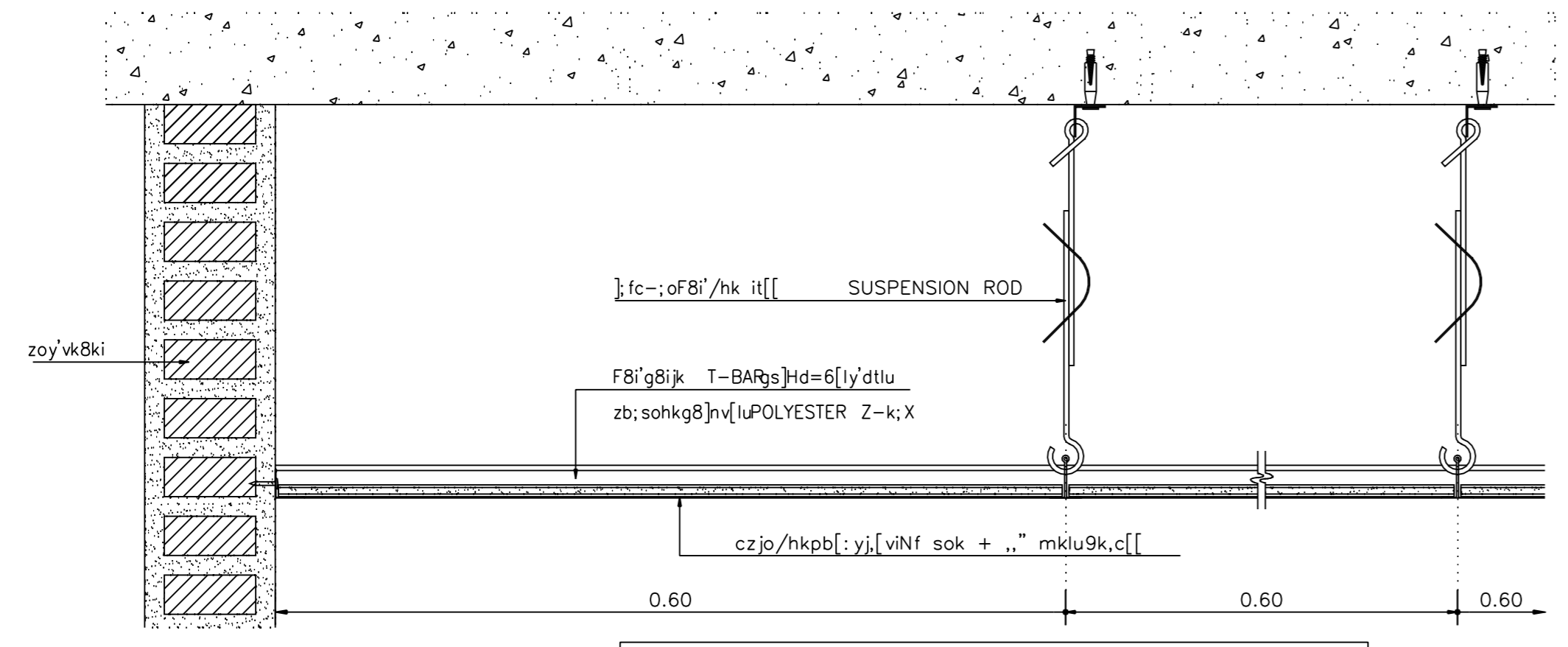
c[[-pkp-v[ovd=kp8k
.k9ikl;o 1 : 5



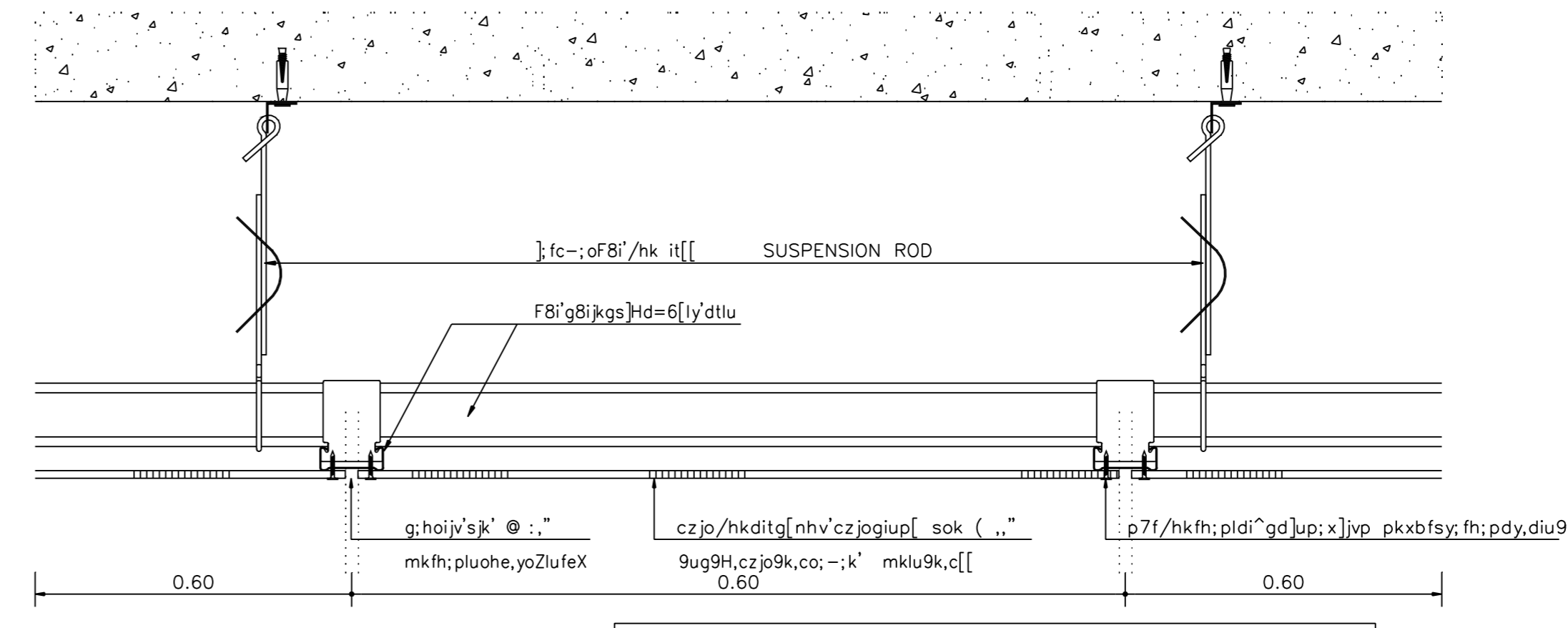
c[[-pkp/hkgrfkopb[:yj,[viNfCk[giup[
.k9ikl;o 1 : 5



i^x9yf-pkp=kpdecr'xbf/hk9j'k'itfy[
.k9ikl;o 1 : 10



c[[-pkp/hkgrfkopb[:yj,[viNf g8i'j T-BAR
.k9ikl;o 1 : 5



c[[-pkp/hkgrfko=kp8kditg[nhv'czjogiup[
.k9ikl;o 1 : 5

REVISIONS	DATE
A c[[d]vink'	15/2/2000

NOTE
 • ALL DIMENSIONS ARE IN METER UNLESS OTHERWISE INDICATED
 • NO DIMENSION SHALL BE SCALED
 • ALL DRAWINGS ARE THE PROPERTY OF THE AREA CO.,LTD. AND CAN NOT BE USED REPRODUCED OR DUPLICATED WITHOUT PERMISSION

OWNER
 Tok8kigrn jvdkgidK9i
 c]tsdidkigqK9i

DESIGNER
AREA AREA CO.,LTD.
 111/1 Lodprao23 Lodoo Chaluchok Bangkok 10900
 Tel. (662) 5139533-5 Fax. (662) 5139536

15kxobd
 v]din 9ik=^ 15°00#
 :yo=yp [6P;ib=pN 15°0#4
 ri=yp ob9;ikxiki 15°#4
 :b]N g8i'j;6ch 15°00#

ASSISTANT ARCHITECT
 gdup'adi clo6;LN
 ;bl; diF8i'link'
 .kot 0i^P^XNlydbN ip^#
 v]din 9ik=^ ip^#
 loyp i;KFC. ip^#
 ;bl; di16-k4b[k]
 i64ymi ;ktb=pNd6] lod^#%
 Lbib=yp Oyo9iud6] x;'
 ;bl; diwaahk
 [i0' g8i'p8i'00^]z] :od^#
 =yp;yoN :nj9i' 4od^#%
 ;bl; dig8in jv'd
 ly; ob9bro i0^#%\$
 ;yRokdi
 ruib9 i6;idpt;bdpN 15°#04
 lbtm=yp v6jopry89] 24kp.oX
 DRAWN DATE
 [bry9i s;ylug]L
 CHECKED
 APPROVED
 F8i'dki
 vk8kileoyd'kolk-k
 muj9&'
 v'-]6' 0° Oyon[6iu
 c[[cl'
 c[[-pkp/hkgrfko
 FILE NO 9911 DRAWING NO A - 28
 DATE 15 / 2 / 2000
 SUB TOTAL GRAND TOTAL

