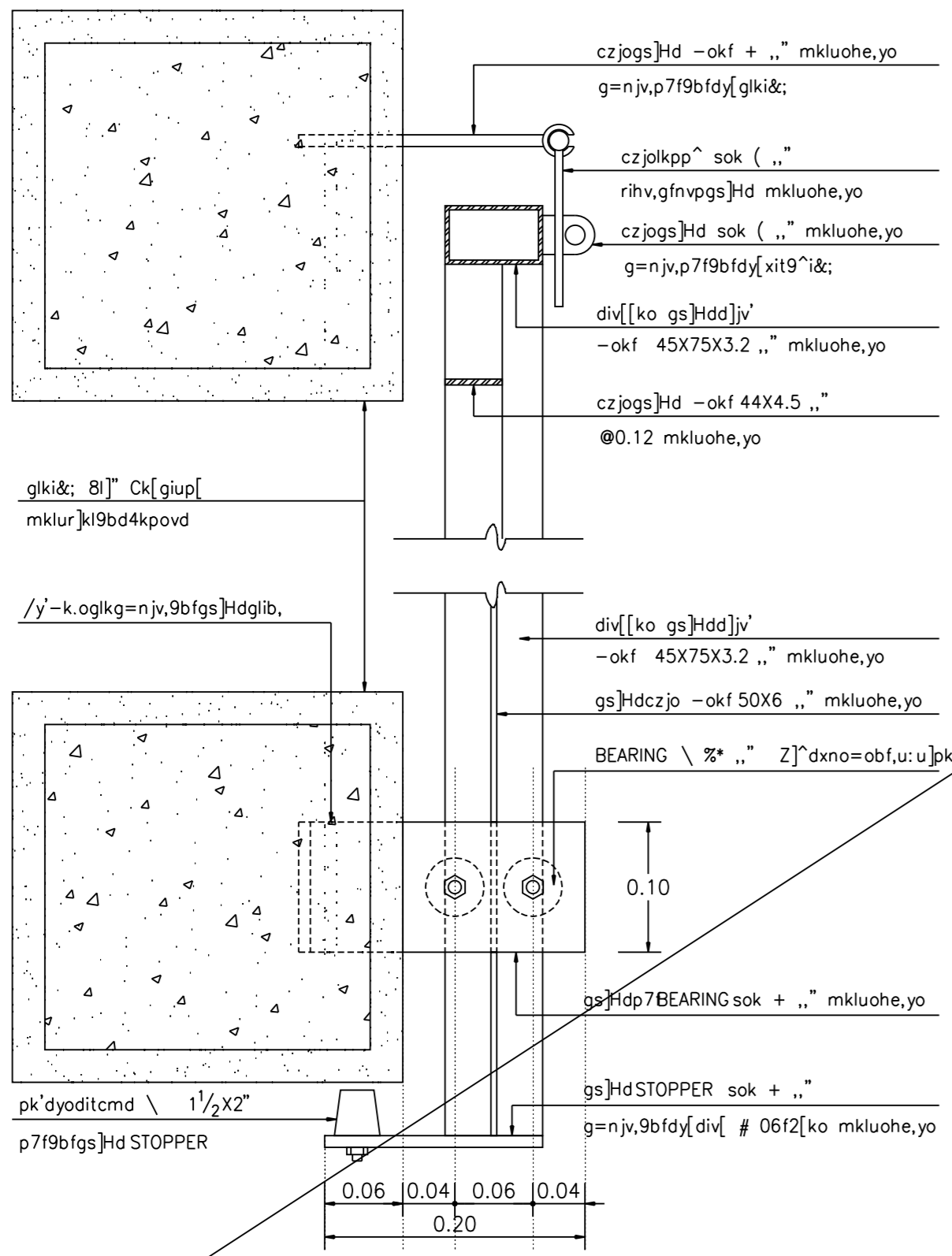
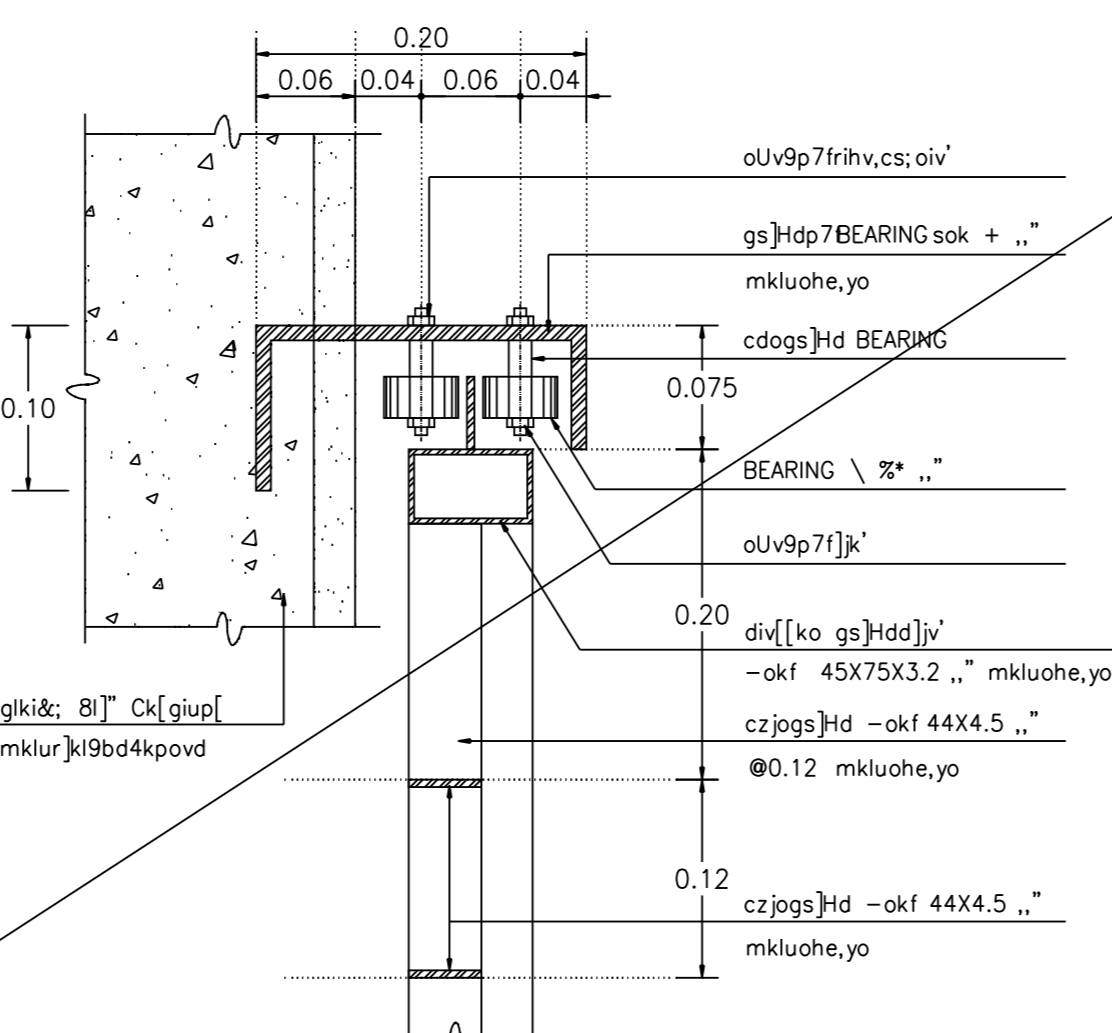


c[[-pkp]x9^iyh;
k9iki]o 1 : 25 A-40

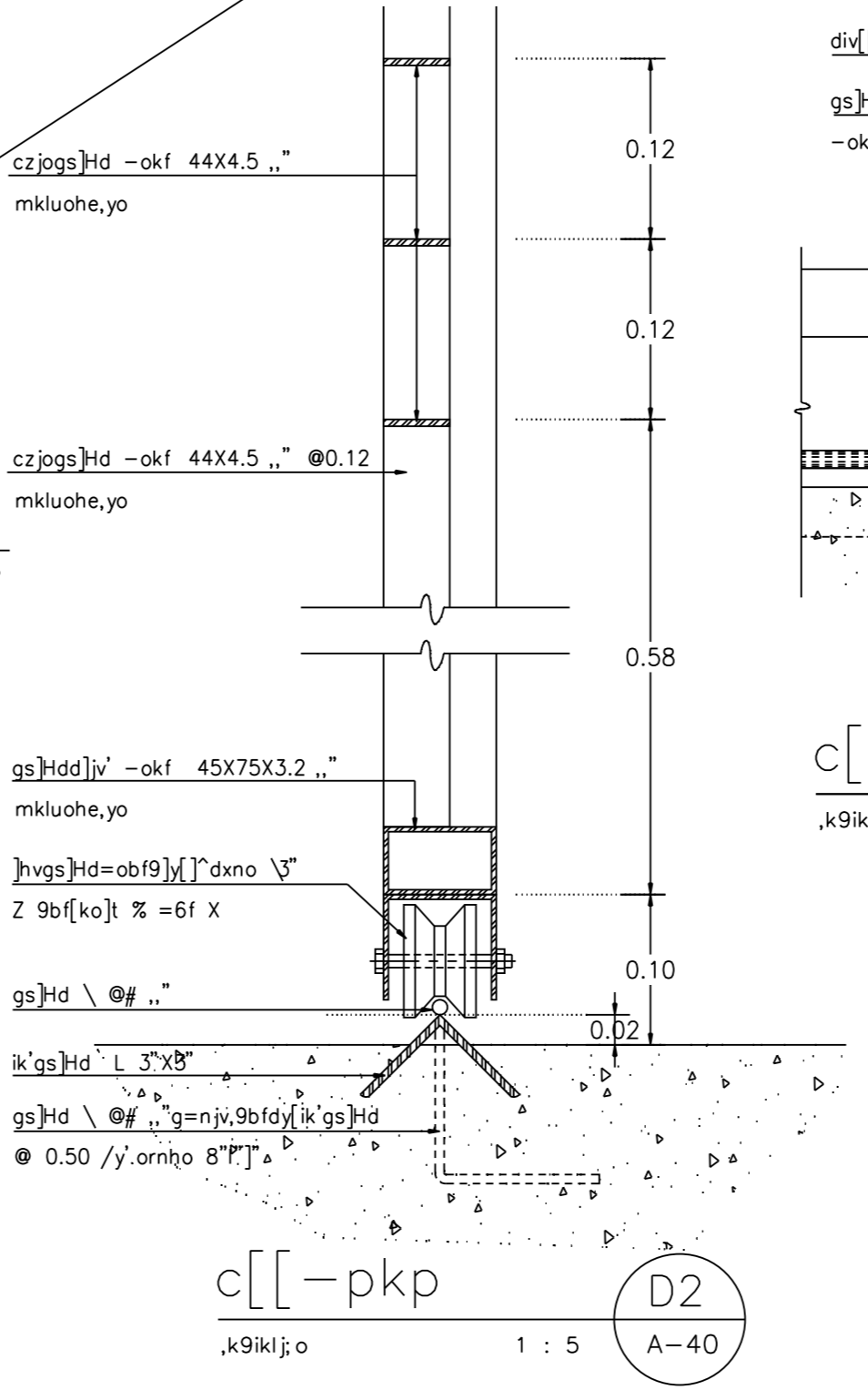
i^x9yf *
k9iki]o 1 : 25



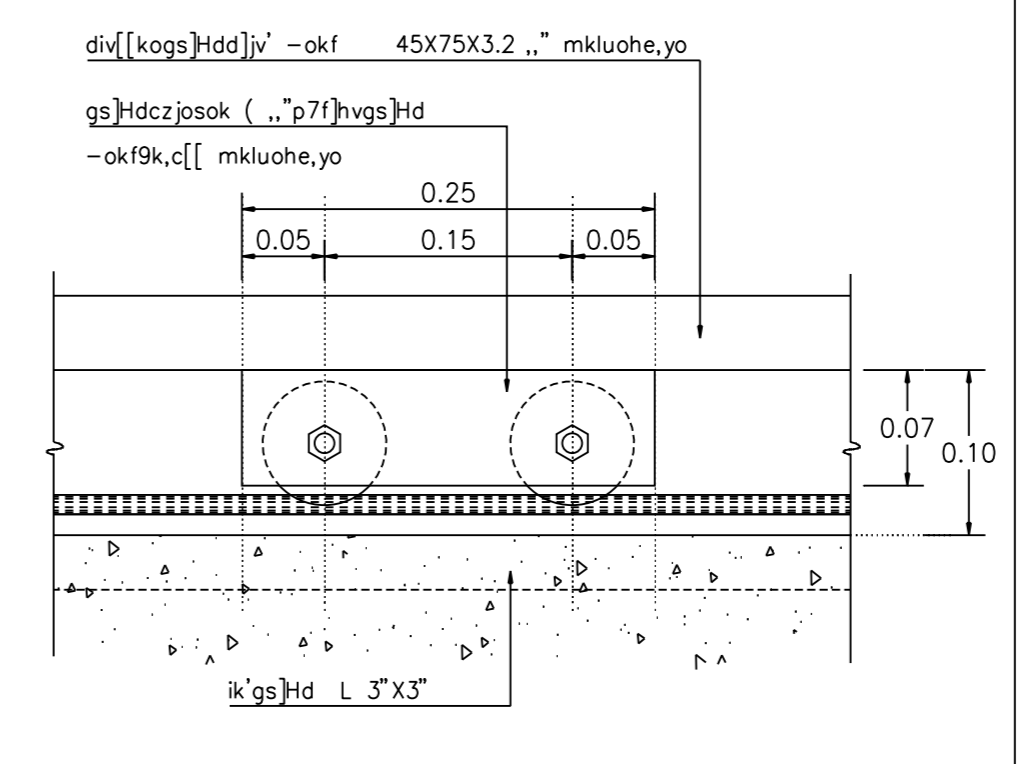
cx]o-pkpglkx9^
k9iki]o 1 : 5



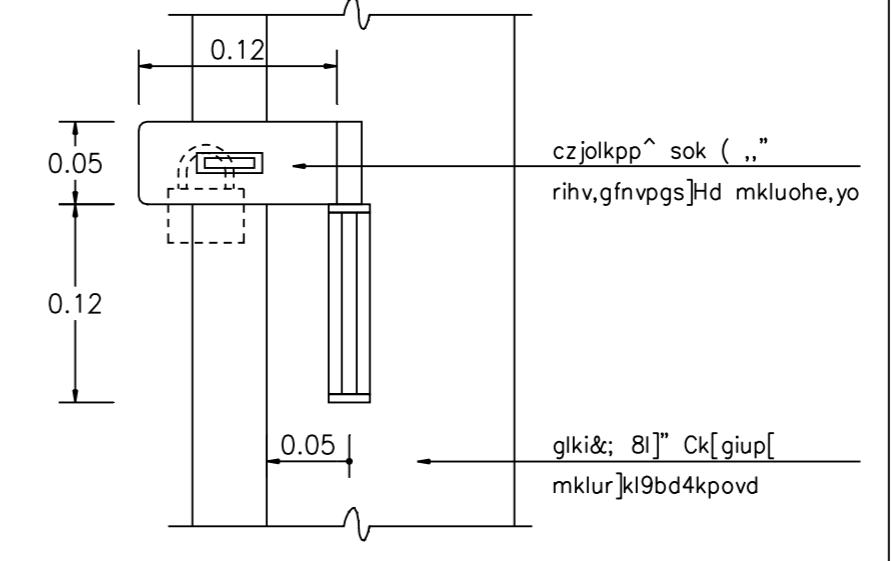
c[[-pkp]
k9iki]o 1 : 5 A-40



c[[-pkp]
k9iki]o 1 : 5 A-40



c[[-pkp]hvg]n]vovix9^
k9iki]o 1 : 5 A-40



c[[-pkpcz]jo8]hv'c,]d6Pc0
k9iki]o 1 : 5 A-40

REVISIONS		DATE
A	c[[-pkp]x9^iyh;	15/02/2000

NOTE
 • ALL DIMENSIONS ARE IN METER UNLESS OTHERWISE INDICATED
 • NO DIMENSION SHALL BE SCALED
 • ALL DRAWINGS ARE THE PROPERTY OF THE AREA CO.,LTD. AND CAN NOT BE USED REPRODUCED OR DUPLICATED WITHOUT PERMISSION

OWNER
 Tok8]ki]grn]v]d]k]ig]d]K]9i
 c]t]s]d]i]d]k]i]g]d]K]9i

DESIGNER
AREA
 AREA CO.,LTD.
 111/1 Lot]p]ro]o]2]3] Lo]y]oo] Ch]at]u]ch]ok] B]an]g]k]ok] 10900
 Tel. (662) 5139533-5 Fax. (662) 5139536

15]k]x]o]b]d

v]d]i]n] 9]k] = "	15° 00' 00"
]y]o]y]o] [EP]ib]p]n	15° 0' 30" 4
ri] = y]o] d]o]9]o] i]k]i]k]i	15° 15' 14
]b]]N] g]o]b]P]k]6]o]	15° 00' 00"

ASSISTANT ARCHITECT
 g]d]i]u]p]w]d]i] c]o]l]o]6]]N]

]b]L; d]i]f]B]i]l]i]n]k'

k]o]t] o]i]P]v]K]N]L]y]d]o]N] 15° 30' 15

v]d]i]n] 9]k] = "
 15° 00' 00" |

f]o]y] 1; k]°]C.
 15° 35' 10 |

]b]L; d]i]G] - k]4]b]]k]

i]6]4]y]m]i] ; k]b] = p]n]d]6]]o]d]]o]]%
 |

L]b]o] = y]o] d]y]o]9]i]u]o]6]]x]]'
 |

]b]L; d]i]w]o]a]h]k

[i]o]]g]o]b]P]o]b]o]]k]] : o]d]]o]]%
 |

= y]o]y]o]c]o]N] : n]j]y]o]i] 4o]d]]o]]%
 |

]b]L; d]i]g]B]i]n]j]v]d]

]y]]o]b]9]o]r]o]]i]d]]o]]%
 |

]y]R]o]k]o]d]i

ru]i]6]9] 16; i]l]d]p]t] ; b]d]p]N] 15° 15' 04

l]b]m]]o] = y]o] v]6]p]o]t]r]y]o]9]]2]4]k]o]X

DRAWN
 [b]r]y]o]i] s]y]l]u]g]]L]

CHECKED

APPROVED

F]B]i]d]k]i

vk]8]k]i]e]o]y]d]]k]o]l]k] - k

m]u]j]o]9]&'
 v]]o]v]]s]k]o] 0° v]6]f]i]t]k]o]u

c[[-pkp]x9^iyh;
 c[[-pkp]x9^iyh;

FILE NO 9909	DRAWING NO A - 40
DATE 15/02/2000	
SUB TOTAL	GRAND TOTAL

