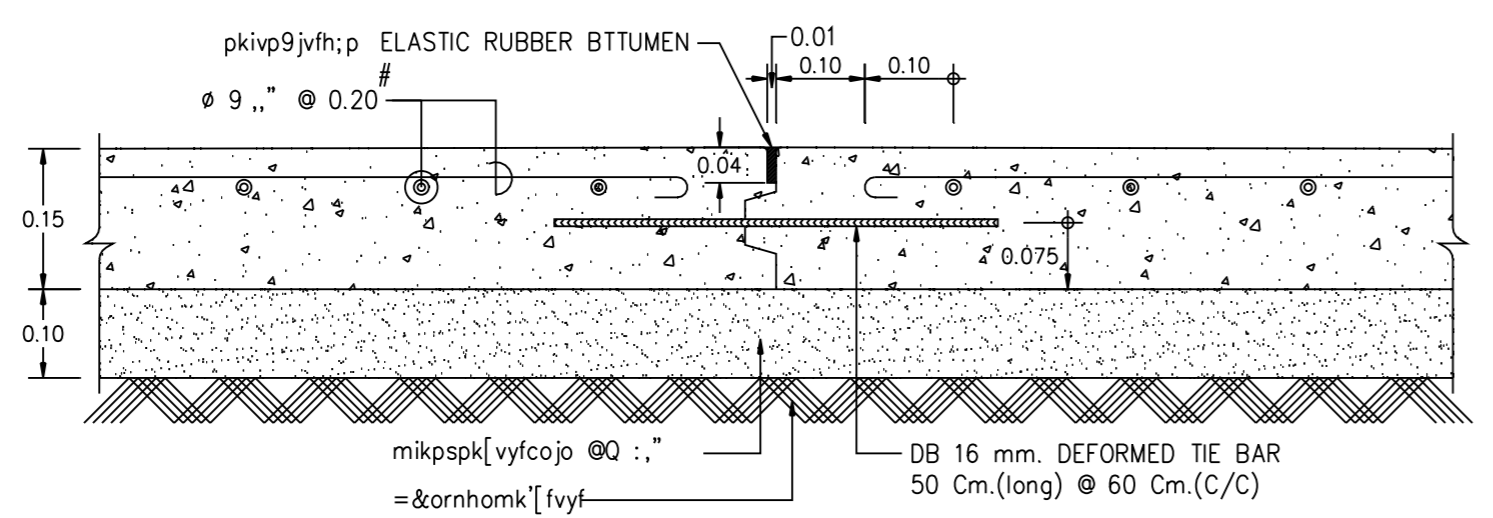
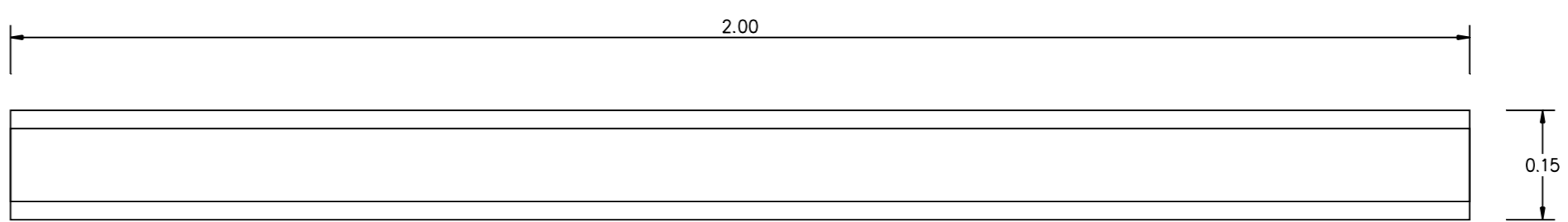
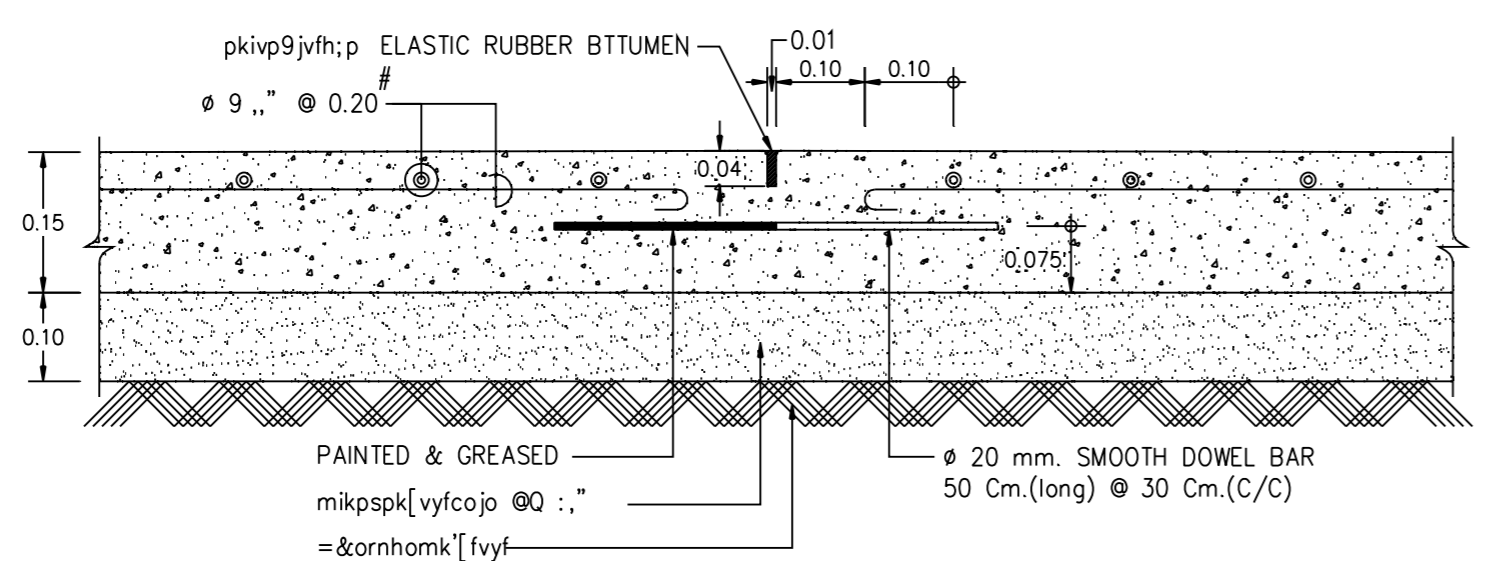


c[[-pkpdkiglib,gs]Hd500c]tmk'gmhk
.k9ikl]o 1 : 20

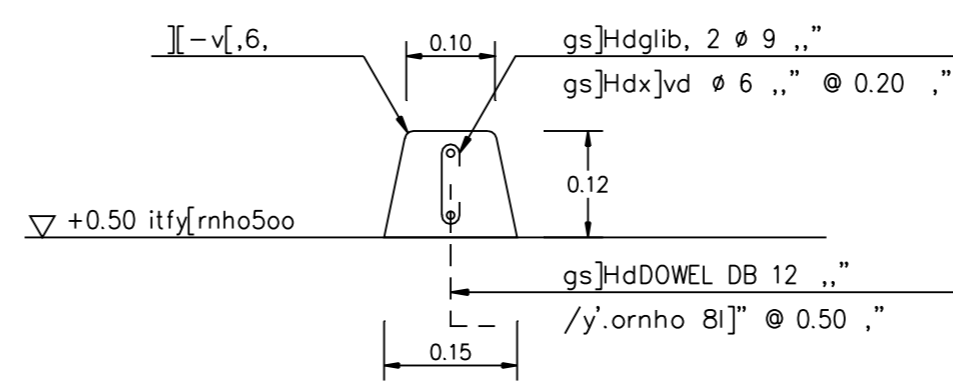


c[[-pkp LONGITUDINAL JOINT
.k9ikl]o 1 : 10

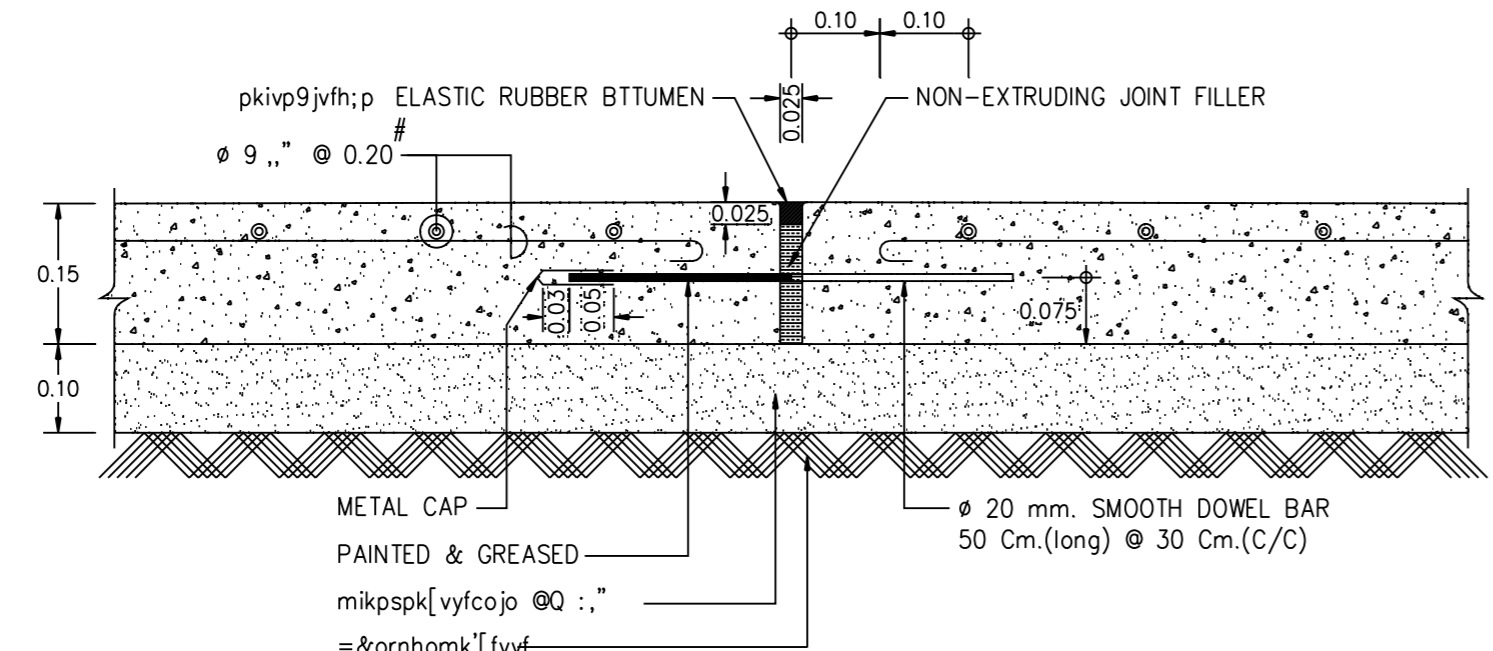
cx]o-pkp8yoshk,]hv
.k9ikl]o 1 : 10



c[[-pkp CONTRACTION JOINT
.k9ikl]o 1 : 10



i^x9yf-pkp8yoshk,]hv
.k9ikl]o 1 : 10



c[[-pkp EXPANSION JOINT
.k9ikl]o 1 : 10

REVISIONS	DATE
A c[[-d]vnhk'	15/02/2000

NOTE
 • ALL DIMENSIONS ARE IN METER UNLESS OTHERWISE INDICATED
 • NO DIMENSION SHALL BE SCALED
 • ALL DRAWINGS ARE THE PROPERTY OF THE AREA CO.,LTD. AND CAN NOT BE USED REPRODUCED OR DUPLICATED WITHOUT PERMISSION

OWNER
 Tok8kigrn jvdkgidK9i
 c]tsdidkigqk9i

DESIGNER
AREA
 AREA CO.,LTD.
 111/1 Lodproo23 Ladyao Chulachok Bangkok 10900
 Tel. (662) 5139533-5 Fax. (662) 5139536

15kxobd	
v]dlin 9ik=^	15°@Q#
:yo=yp [6P;ib=pN	15°@%#4
ri=yp db9b;ixkiki	15°#%#4
:b[']N g0bP;k;6cb	15°@Q#

ASSISTANT ARCHITECT

gdup'wdi clo6;LN

:bl; dif8i'lihk'

.kot 0i'Pr'KNlydbN ip'xQ#

v]dlin 9ik=^ ip'xQ#

foyp i;k'FC, ip'xQ#

:bl; dil6-k4b[k]

l64ymi ;ktb=pNd6] lod'@]_

Lbib=yp 0yo9iud6] x;]"

:bl; diwaahk

[iio' g0bPdb0r'z] :od'@#

=yp; ycoN :nj9i' 4od'x%0%

:bl; dig8in jv'd]

ly] ob9bro i'@%_ \$

.yRokdi

ruil69 i6;idp;bdpN 15°#%#04

lbtb=yp v6joptryd9]"24kp.oX

DRAWN DATE

[bry9i s;ylug]bl

CHECKED

APPROVED

F8i'dki

vk8kileoyd'kolk-k

mu j9&'

v' liirpk 0" =ypokm

c[[-clf'

c[[-pkpdkiglib,gs]Hd500c]

mk'gmhk c]t8yoshk,]hv

FILE NO 9910	DRAWING NO S - 24
DATE 15 / 02 / 2000	
SUB TOTAL	GRAND TOTAL

Area-A2(roll) 390x600mm.

