

Tok8kigrn jvdkgk9ic JnsdiNdkigdk9i

กองบริหารอาคารสำนักงาน

cx[[  
djvlihk'vk8ki lo''  
lk-k ,k9i;ko # =yho  
Z[yowf-;kX

15kxobd  
okp:b[~]n g0bP;ik;6cb 15"000#"  
okpLiu;ycOn ris,i6;iii 15"\$\*%\$4"  
okp;bg=K;N g0bPtTu["iN i15"0)(#

.yIRokdi  
okplbmTb=yp v6optryoN 15"Z4kp.oX  
ok'kvi;ypN d6ptTiri9 LK["

.bL;diFpTk  
okply,ryoTN -6mikoomNp\* 6270  
okpbookm mv',k ip" 4933

.bL;diwaahk  
okp=yp;ycOn :njv9i' 4ad"5414  
okpoyom'r]d]h'k 4ad" 4998  
okpplibLbib ohp;bjp 4ad"14080

16-k4b[k]  
okpvi;F0oN v699,txikdi,  
okp=bf=yp =y;:k]bNxiu=k

g-upoc[[

9i;0c[[ vo6,y9bc[[

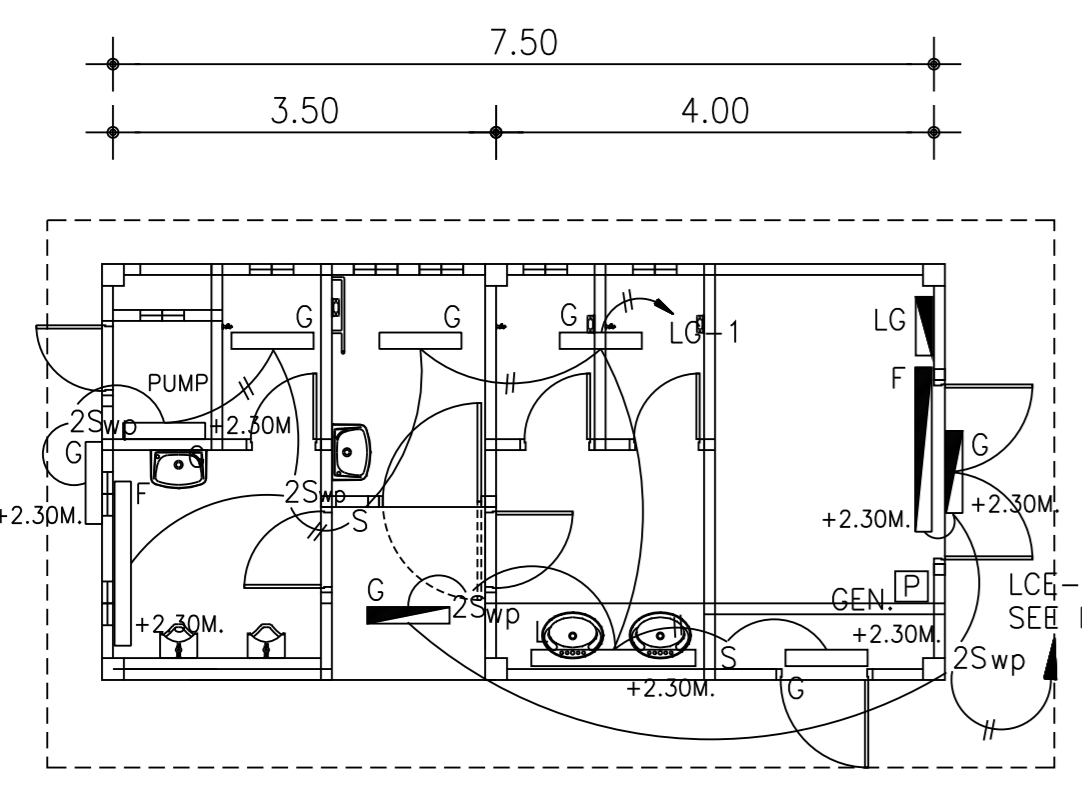
cdhw-c[[  
8iyh'muj @

;yomuj,Kkpo #\*%\*

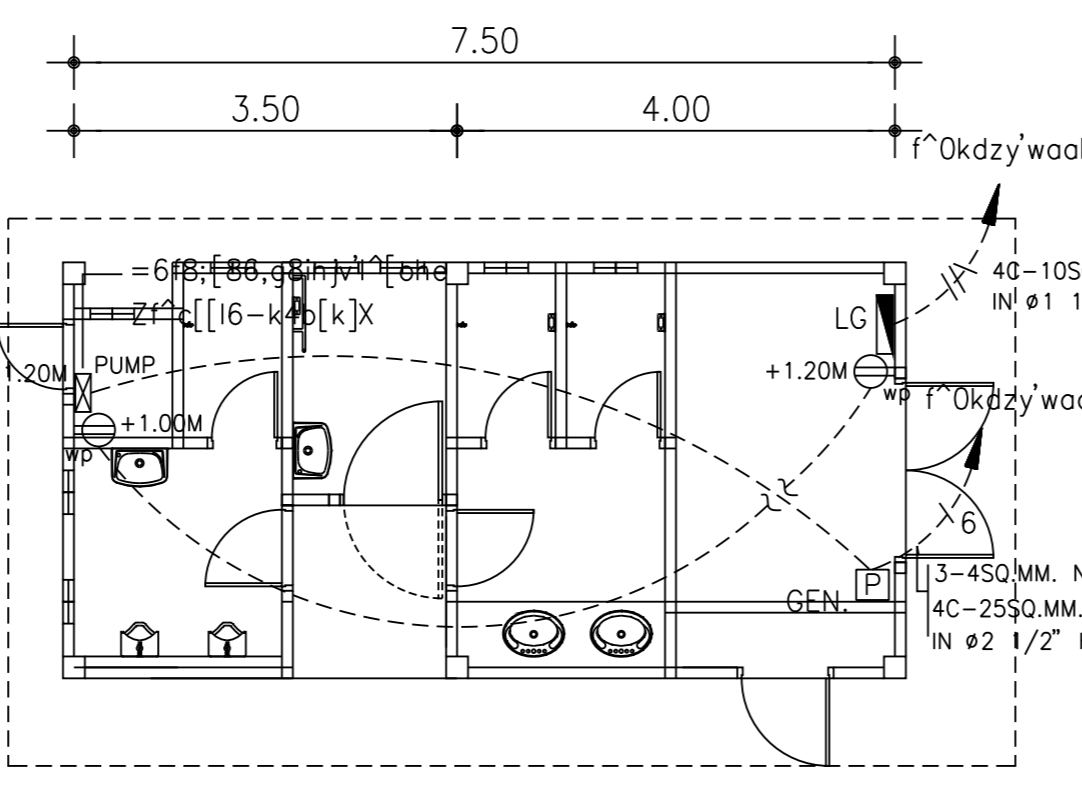
c[clif'  
cx]o9bf9yh'it[[ waahk  
vk8kishv'ohel^d8hk muj0vf  
i5Tok8ki dki9bf9yh'  
v6xdiiNshv'g8in jv'degobf  
waahk

FILES NO. czjomuj  
EE-12

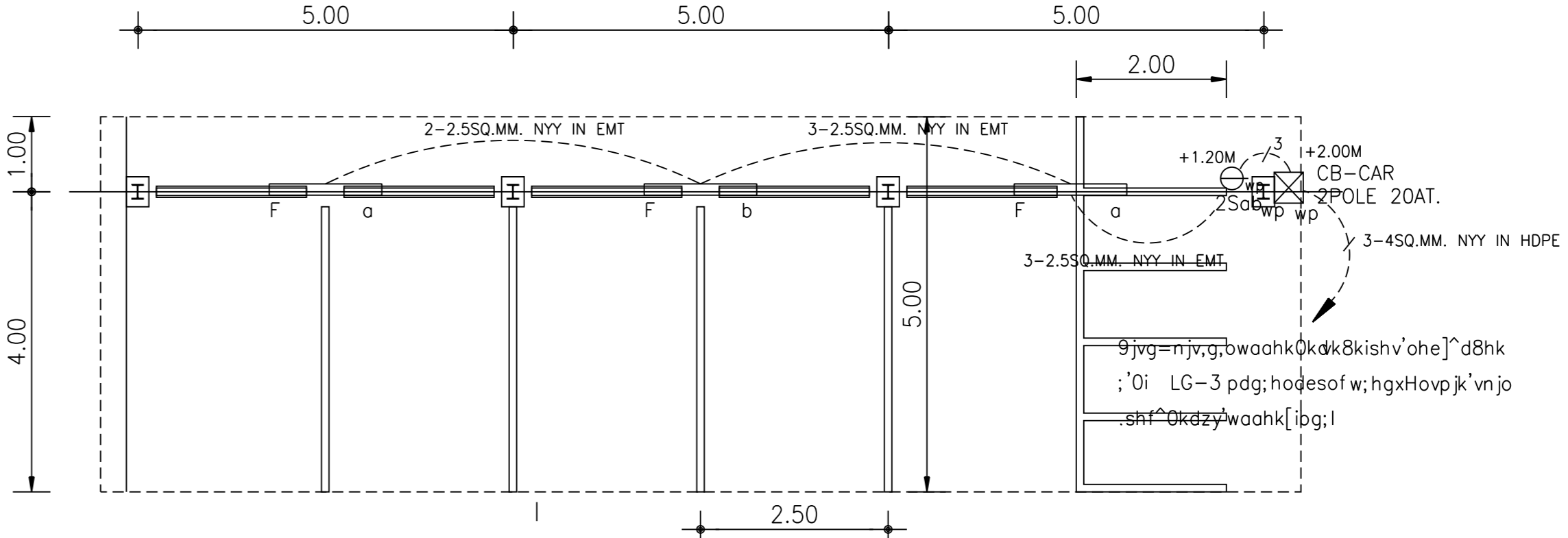
g]-mujc[[ i.;  
12



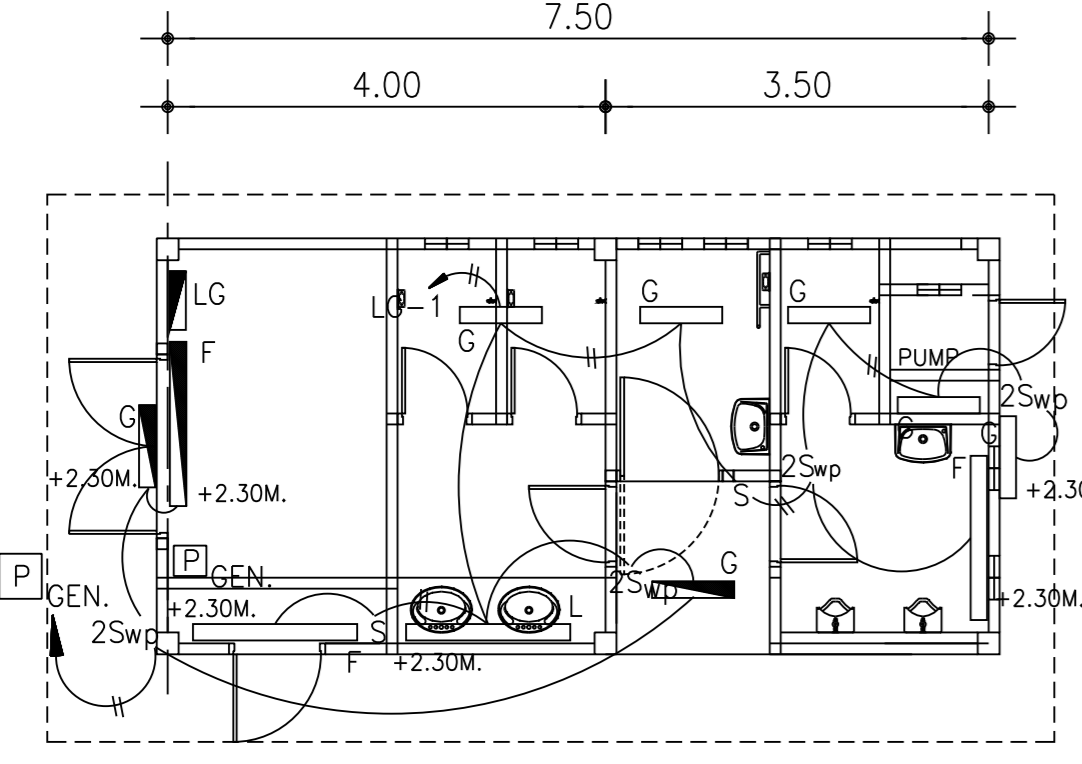
cx]o9bf9yh'it[[ waahkcl'i;jk' shv'ohel^d8hk  
Z cx]oshv'g8in jv'degobfwaahk fhko:hkp X  
.k9ikl;jo 1 : 100



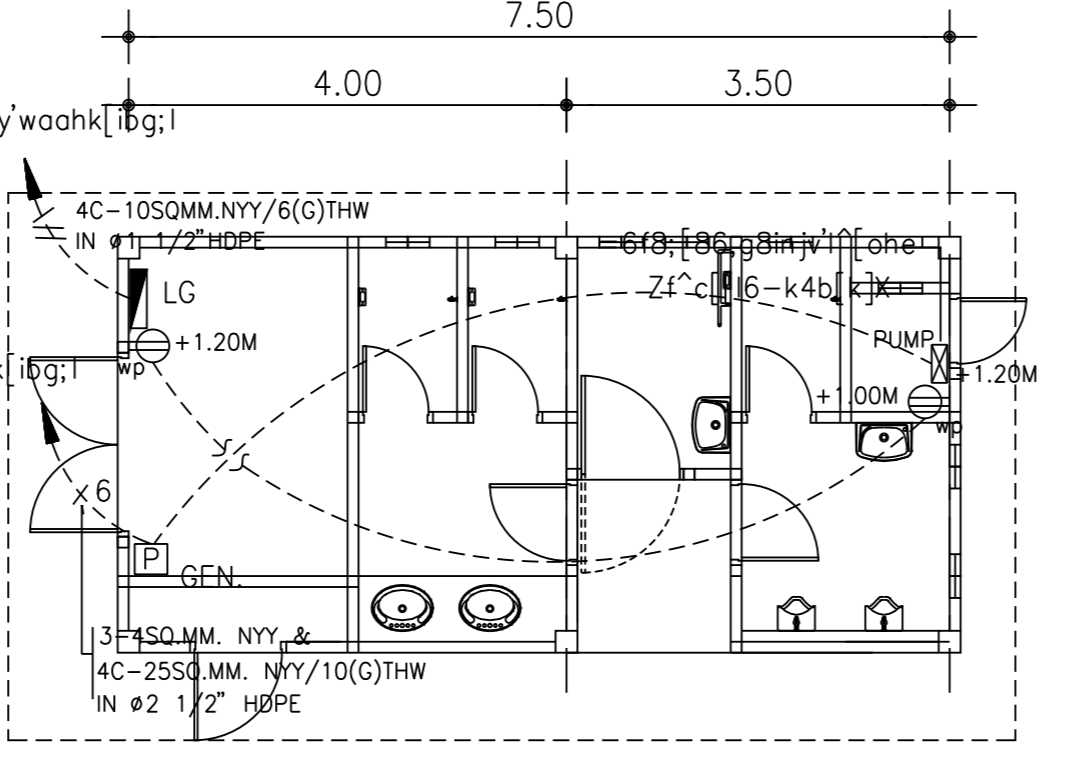
cx]o9bf9yh'it[[ waahkg9hkiy[ shv'ohel^d8hk  
Z cx]oshv'g8in jv'degobfwaahk fhko:hkp X  
.k9ikl;jo 1 : 100



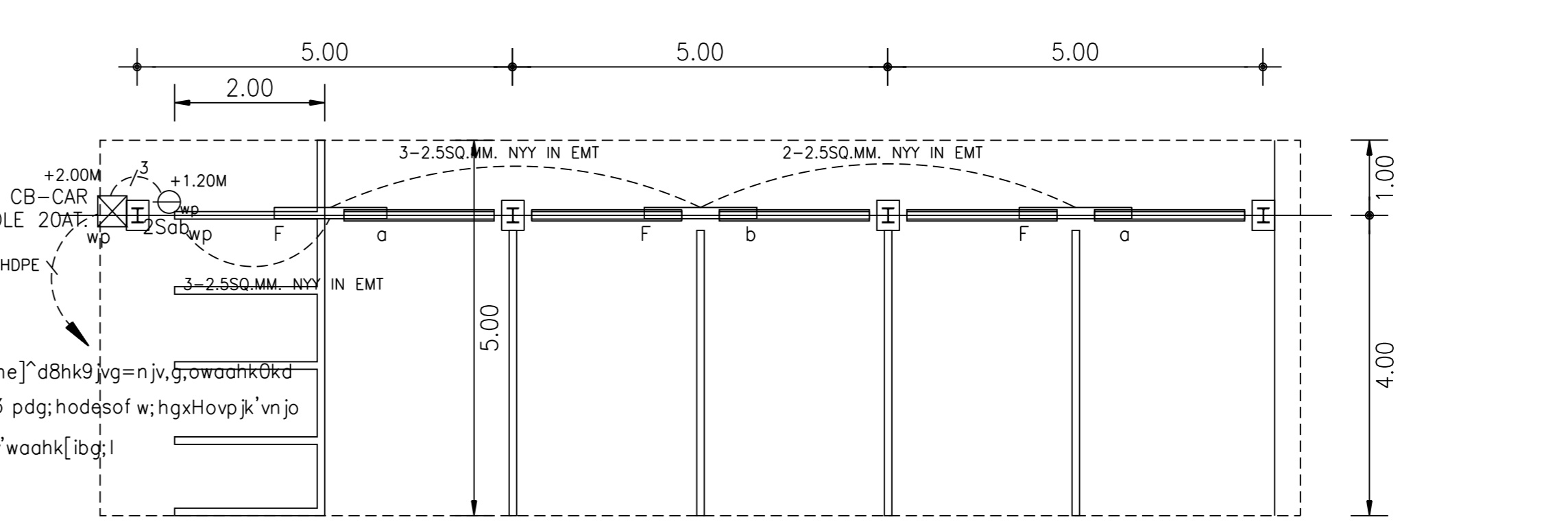
cx]o9bf9yh'it[[ waahk muj0vf i5Tok8ki  
Z cx]omuj0vf i5Tok8ki fhko:-k X  
.k9ikl;jo 1 : 100



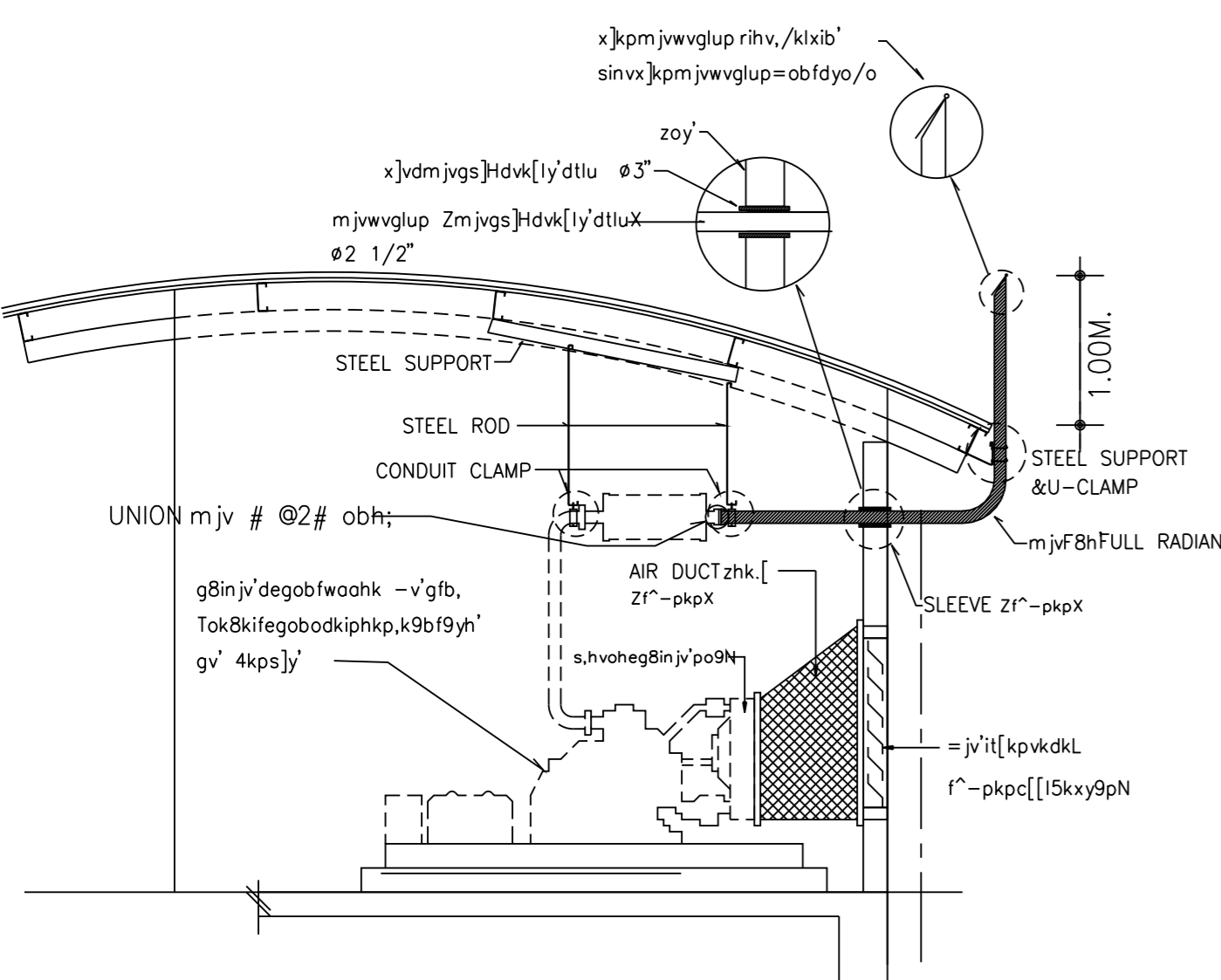
cx]o9bf9yh'it[[ waahkcl'i;jk' shv'ohel^d8hk  
Z cx]oshv'g8in jv'degobfwaahk fhko:-k X  
.k9ikl;jo 1 : 100



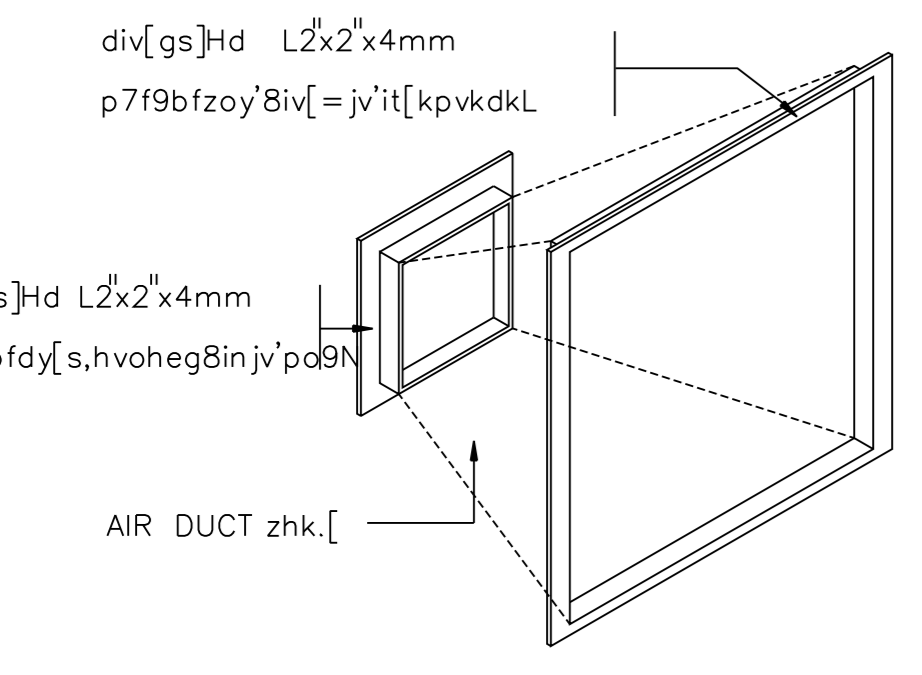
cx]o9bf9yh'it[[ waahkg9hkiy[ shv'ohel^d8hk  
Z cx]oshv'g8in jv'degobfwaahk fhko:-k X  
.k9ikl;jo 1 : 100



cx]o9bf9yh'it[[ waahk muj0vf i5Tok8ki  
Z cx]omuj0vf i5Tok8ki fhko:hkp X  
.k9ikl;jo 1 : 100



-pkpdk i9bf9yh'v6xdiiN4kp.oshv'g8in jv'degobfwaahk



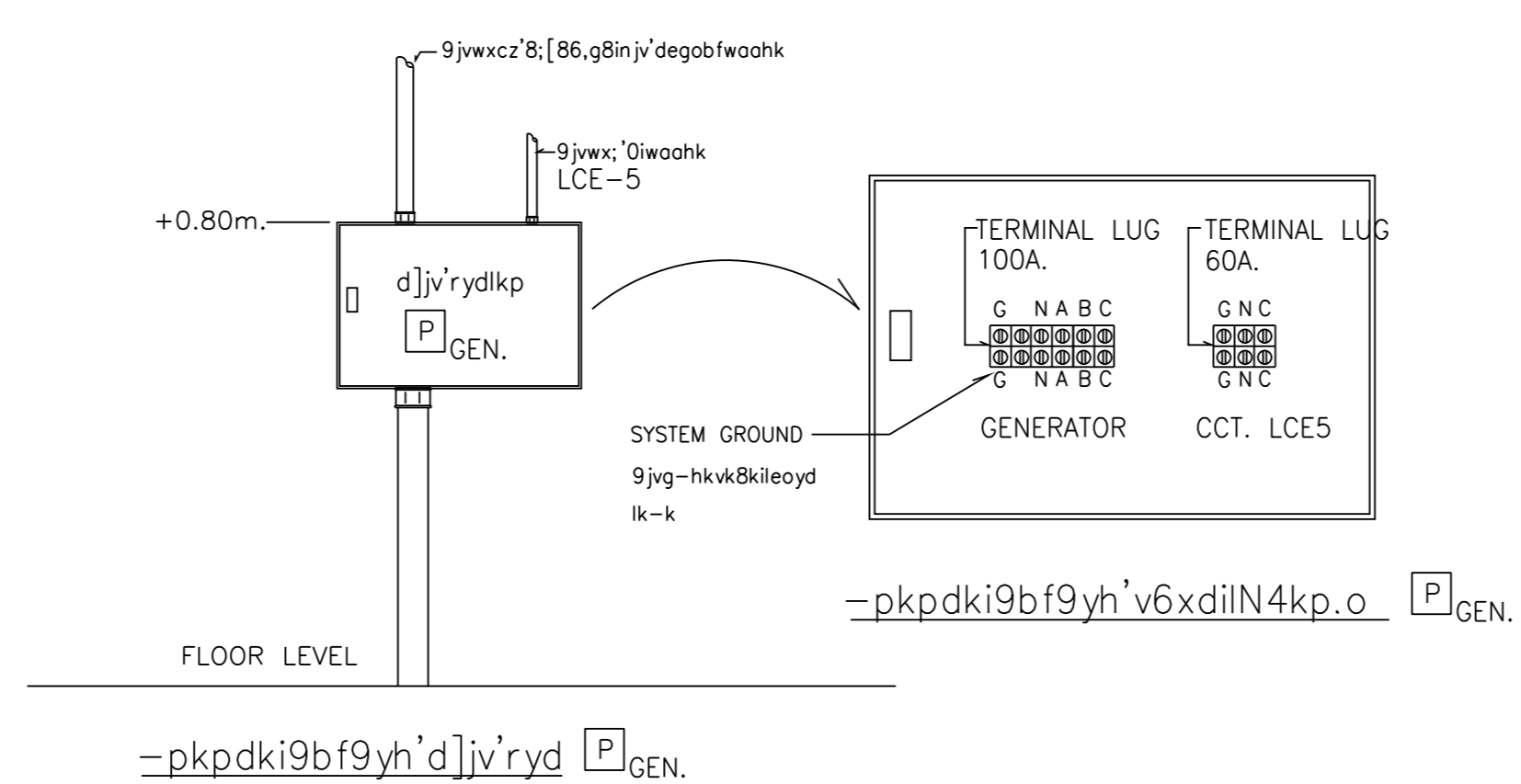
-pkp AIR DUCT g8in jv'degobfwaahk

PANEL LOAD SCHEDULE  
PANEL NAME: LG\_LOCATION: vk8kishv'ohel^d8hk  
3PHASE 4 WIRES, SN, 220/380 VOLTS  
100 AMP MAINS LUGS SURFACE MOUNTED

CKT. NO.	DESCRIPTIONS	LOAD IN VA			BREAKER	CONDUCTOR SIZE (SQMM)	DIAGRAM
		A	B	C			
1	cl'i;jk'	500			10 1	2-2.5	
3	muj0vf i5Tok8ki Zf'zy'waahk[ibg;ix	500			20 1	3-4 NYY	
5	leiv'			3	16 1	3	
7	leiv'				16 1	3	
9	3			3	3 3	3	
11	3				3 3	3	
2	g9hkiy[	500			10 1	2-2.5/1.5(G)	
4	3				3 3	3	
6	3				3 3	3	
8	3				3 3	3	
10	3				3 3	3	
12	3				3 3	3	

TOTAL CONNECTED LOAD (VA)

MAIN CIRCUIT BREAKER 40... AT 14KA AT 380V. MAIN FEEDER (SQMM) 4(1C-10)NYY/6(G)THW IN HDPE. CONNECTED TO CB LG 4kp.o MDBvk8kileoyd'ko



-pkpdk i9bf9yh'd]jv'ryd GEN.

lyPP]ydkIN  
 LG F5]g;Hog9viN \$ gal % lkp -okf @# =jv' rihv,g,og[idgdviN c]tq[idgdviN]p9k,-pkp Ffp5hk,bwfhdsofghovp'k' vnjo .sh9jvg=njv,g,owaahk0kdvk8kileoyd'ko myh'ouh.shf'ikpdk]tgvup0kdzy'waahk[ibg;l  
 +2.00M CB-CAR 2POLE 15AT. wp  
 2Sabwp  
 wp  
 GEN. P  
 wp  
 s,kpqs96  
 3F8,waahk c];y1f6vxdilNxitdv[dk i9bf9yh'it[[ waahk9'k'q 5hk,uwfhdsofow;hgxHovp'k'vnjo.sh.=h9k, ikpdk;ylf6-v'vk8kileoyd'ko  
 3dilumujmedki9bf9yh'it[[ waahk/y'rnhovk8ki shv'ohel^d8hk muj0vf i5Tok8ki.sh9bf9yh'lkp9y;oeawaahkcomjihvhp  
 lkpwaahk=obf HDPE myh'ouh.shfegobodkifh;p;btugfup;dy[dy[it[[ waahkvnjomuj9jvg=njv,g,owaahk0kdcz'8;[86,46ahk  
 3dk i9bf9yh'it[[ waahklesiy[ vk8ki shv'ohel^d8hk muj0vf i5Tok8ki .sh9bf9yh'lkp9y;oeawaahk4kp.omjihvhp  
 =obfEMTFp;h-hv9jvmjihvplkp=obRAIN TIGHT gm]koy]zpdg;homjihvplkp,owaahk .shf^Okdzy'waahk[ibg;ix  
 3z^hiy[Ohk'9hv'Oyfskc]t9bf9yh'it[[m]jvwglup9k,c[[-pkpshv'g8in jv'degobfdesof xitdv[th;p  
 @'m]jvoewglup mjvgs]Hdvk[ly'dtlu 2 1/2" Z.=hm]MCwfN-okf8in jv'degobfwaahk-v'gfb, -v;yl-okfwhmujk-kTok8ki  
 oy[Okd-hv9jUNION Zi;myh'UNION) 57'x]k]p/klxib'xbfx]kpm]jvwglup Zi;.57'klxib'sinx]kpm]jvdyo/oX  
 #^9y;Oy]p7fm]jvwglup]EEL SUPPORT ,STEEL ROD ,CONDUIT CLAMP ,U-CLAMP  
 \$^x]jvdits;jk'mjvdy[zo'y'vk8ki mjvgs]Hdvk[ly'dtlu 03" Z.=hm]MCwfN X  
 %^Oyfme AIR DUCT -v'g8in jv'degobfwaahk 9k,c[[-pkp

