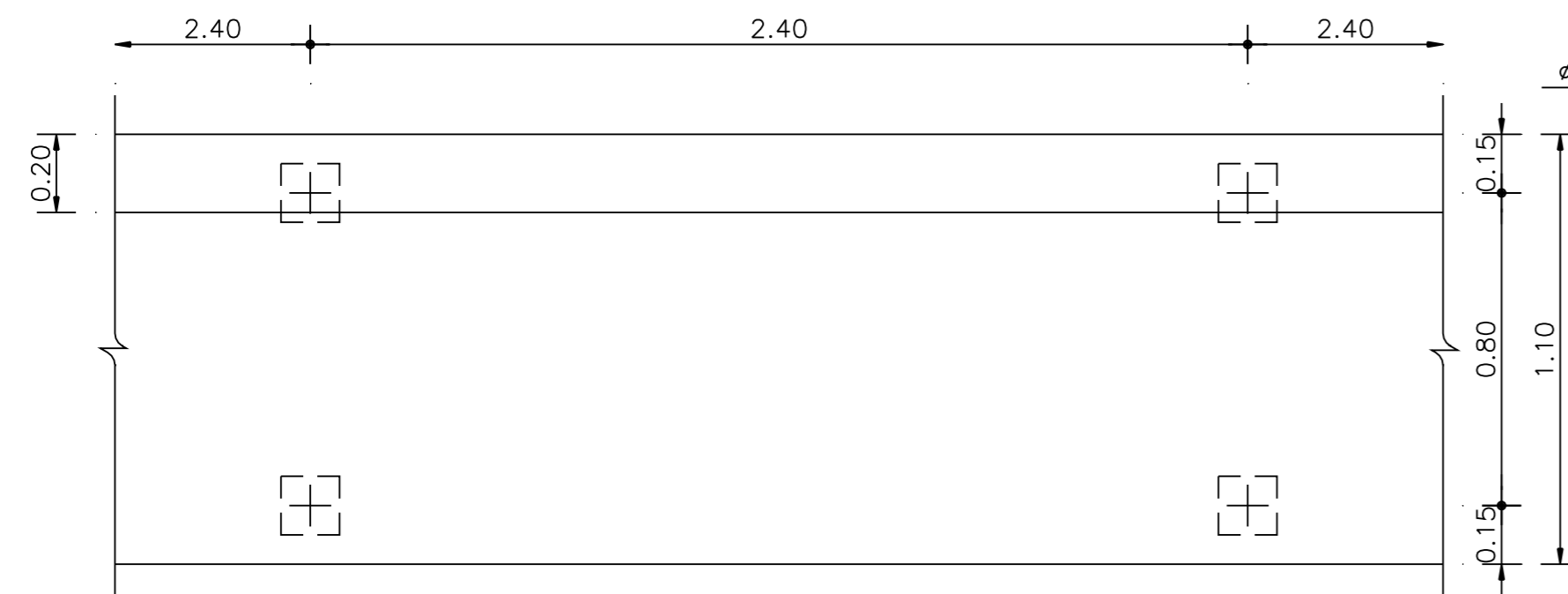
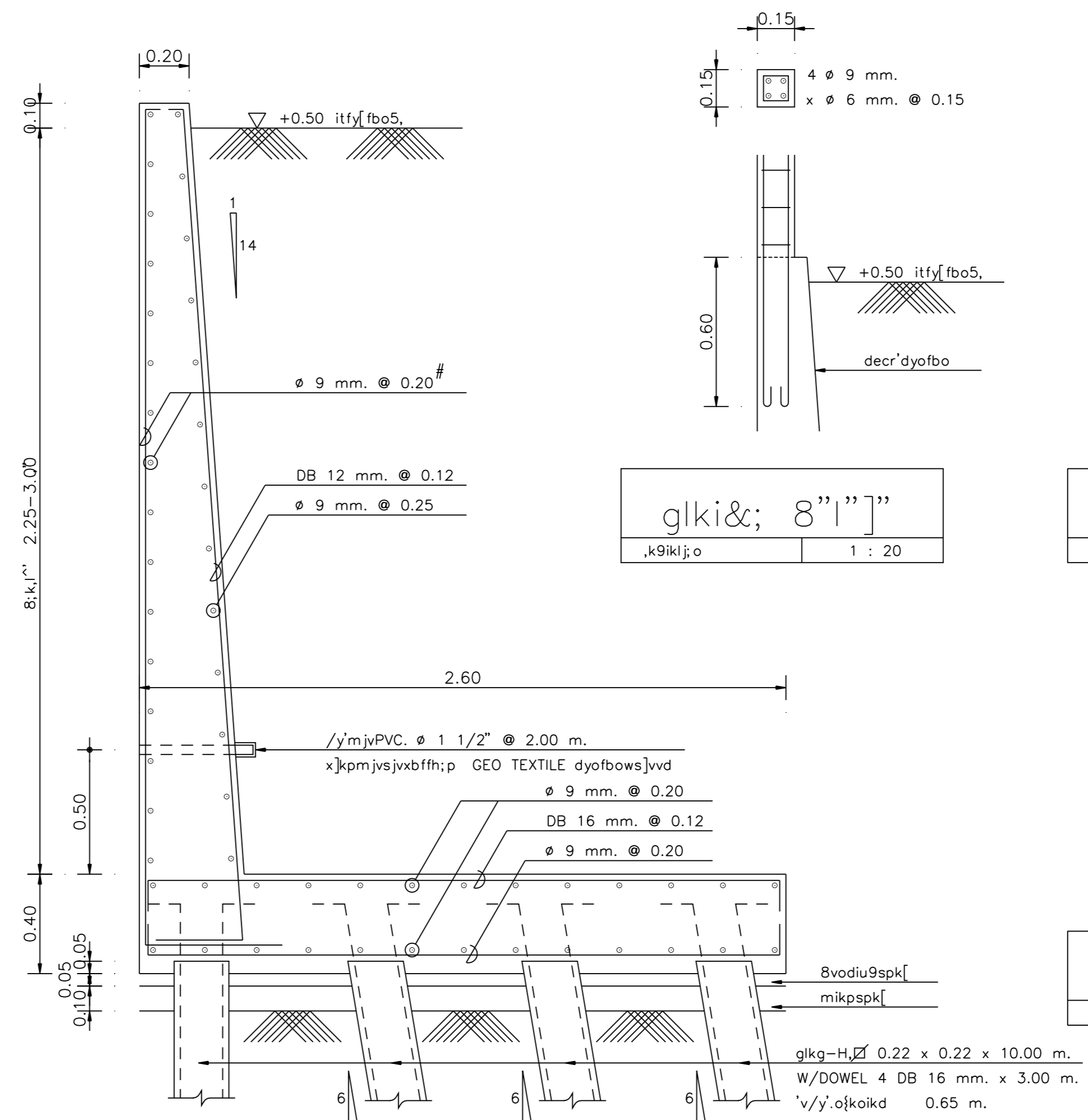


cx]o-pkp{koikddecr'dyofbo l^' #*#3\$''QQ ,"
 .k9iki;o 1 : 20



cx]o-pkp{koikddecr'dyofbo l^'w,jgdbo @''#* ,"
 .k9iki;o 1 : 20

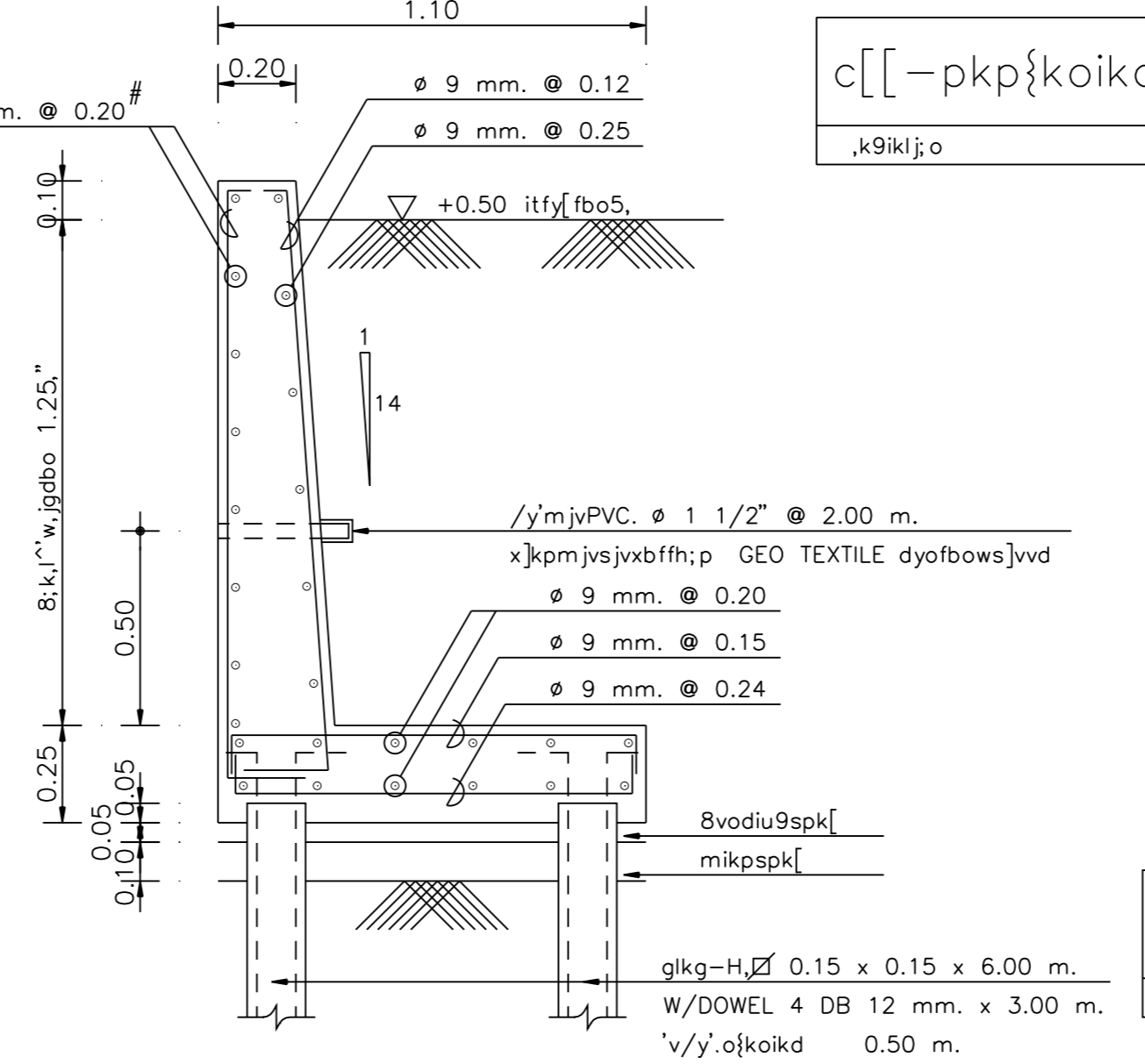


glki&; 8''l''"
 .k9iki;o 1 : 20

my[s]y' 8''l''"
 .k9iki;o 1 : 20

glkxit9^[kog]njvo
 .k9iki;o 1 : 20

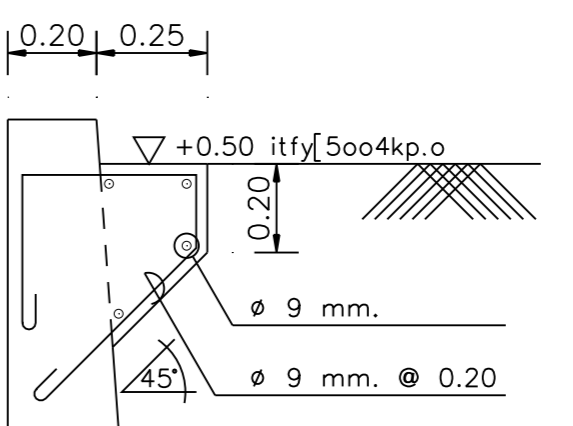
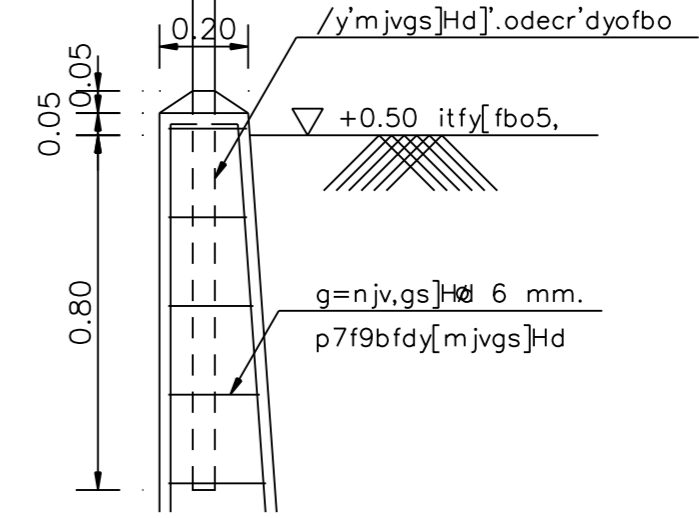
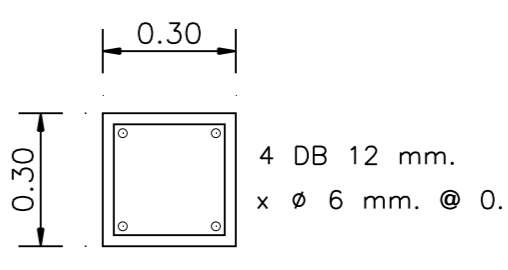
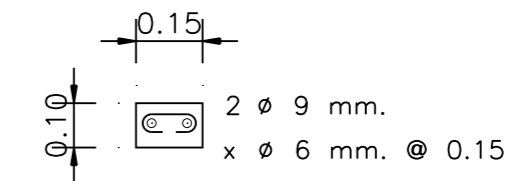
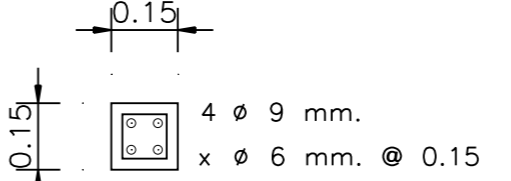
glki&; ;f9k-jkp
 .k9iki;o 1 : 20



c[[-pkp{koikddecr'dyofbo
 .k9iki;o 1 : 20

c[[-pkp{koikddecr'dyofbo
 .k9iki;o 1 : 20

8koiy[xit9^[kog]njvo
 .k9iki;o 1 : 20



REVISIONS	DATE
A c[[d]virk'	15/02/2000

NOTE
 • ALL DIMENSIONS ARE IN METER UNLESS OTHERWISE INDICATED
 • NO DIMENSION SHALL BE SCALED
 • ALL DRAWINGS ARE THE PROPERTY OF THE AREA CO.,LTD. AND CAN NOT BE USED REPRODUCED OR DUPLICATED WITHOUT PERMISSION

OWNER
 Tok8kigrn jvdkgdK9i
 c]tsdidkigqk9i

DESIGNER
AREA CO.,LTD.
 111/1 Lodproo23 Lodayo Chutuchok Bangkok 10900
 Tel. (662) 5139533-5 Fax. (662) 5139536

15kxobd
 v]din 9ik=^ 15°00#
 ;yo=yp [6P;ib=pN 15°0°#4
 rie=yp db9;ixiliki 15°#*#4
 ;b]N g0bP;k;6cb 15°00#

ASSISTANT ARCHITECT
 gduap'wdi cloi6;LN
 ;bl; dif8i'lihk'
 .kot 0i^PrKNLydBN ip^#
 v]din 9ik=^ ip^#
 foyp i;kFC, ip^#-
 ;bl; dil6-k4b[k]
 i64ymi ;kb=pNd6] lod^#%
 Lbib=yp Oyodud6] x;I'
 ;bl; diwaahk
 [iio' g0bPdb0r^]z] :od^#
 =yp; ycoN :nj9i' 4od^#%
 ;bl; dig8in jv'd
 iy ob9bro id^#-\$
 ;yRokdi
 ruil69 i6;idpt;bdpN 15°#*#04
 lbtmT=yp v6joptryd9[24kp.o x

DRAWN DATE
 [braydi s;yl;lug]l
 CHECKED

APPROVED

F8i'dki
 vk8kileoyd'kolk-k

mu]9&'
 v' liirpk 0°=ypokm

c[[ctf'
 c[[-pkp{koikdi&;

FILE NO	DRAWING NO
9910	S - 22
DATE 15 / 02 / 2000	
SUB TOTAL	GRAND TOTAL

